

ROTAX®

915 iS

ROTAX

Cyl 11
Cyl 1T
ROTAX

ILLUSTRATED PARTS CATALOG

FOR ROTAX ENGINE TYPE 915 i A/C24 SERIES

REF NO.: IPC-915 i A/C24 | PART NO.: 898895 | IPC No.: 2071 - 2074



WARNING

These technical data and the information embodied therein are the property of BRP-Rotax GmbH & CO KG, Austria, acc, BGBl 1984 no. 448, and shall not, without prior written permission of BRP-Rotax GmbH & Co KG, be disclosed in whole or in part to third parties. This legend shall be included on any reproduction of these data, in whole or in part. The Manual must remain with the engine/aircraft in case of sale.

ROTAX[®] is a trade mark of BRP-Rotax GmbH & Co KG. In the following document the short form of BRP-Rotax GmbH & Co KG = BRP-Rotax is used.

Other product names in this documentation are used purely for ease of identification and may be trademarks of the respective company or owner.

Copyright 2024 © - all rights reserved.

Translation into other languages might be performed in the course of language localization but does not lie within ROTAX[®] scope of responsibility.

In any case the original text in English language and the metric units are authoritative.

BRP-Rotax
ILLUSTRATED PARTS CATALOG

Chapter: LEP
LIST OF EFFECTIVE PAGES

Each new revision to the Illustrated Parts Catalog will have a new List of Effective Pages.

Chapter	Page	Date
	Title page	
LEP	1	June 2024
	2	June 2024
	3	June 2024
TOA	1	June 2024
	2	June 2024
	3	June 2024
INTRO	1	June 2024
	2	June 2024
	3	June 2024
	4	June 2024
	5	June 2024
TABLE OF CONTENT	6	June 2024
	1	June 2024
	2	June 2024
00-00-00	3	June 2024
	1	June 2024
	2	June 2024
	3	June 2024
	4	June 2024
	5	June 2024
	6	June 2024
	7	June 2024
24-20-00	8	June 2024
	9	June 2024
	10	June 2024
	1	June 2024
	2	June 2024
	3	June 2024
	4	June 2024

Chapter	Page	Date
24-30-00	1	June 2024
	2	June 2024
	3	June 2024
	4	June 2024
61-20-00	4	June 2024
	1	June 2024
	2	June 2024
	3	June 2024
71-20-00	4	June 2024
	1	June 2024
	2	June 2024
72-10-00	1	June 2024
	2	June 2024
	3	June 2024
	4	June 2024
	5	June 2024
	6	June 2024
	7	June 2024
	8	June 2024
72-20-00	1	June 2024
	2	June 2024
	3	June 2024
	4	June 2024
	5	June 2024
	6	June 2024
73-10-00	1	June 2024
	2	June 2024
	3	June 2024
	4	June 2024
	5	June 2024
	6	June 2024

BRP-Rotax
ILLUSTRATED PARTS CATALOG

Chapter	Page	Date
	7	June 2024
	8	June 2024
	9	June 2024
	10	June 2024
	11	June 2024
	12	June 2024
	13	June 2024
	14	June 2024
	15	June 2024
	16	June 2024
	17	June 2024
	18	June 2024
	19	June 2024
	20	June 2024
74-20-00	1	June 2024
	2	June 2024
	3	June 2024
	4	June 2024
75-20-00	1	June 2024
	2	June 2024
	3	June 2024
	4	June 2024
	5	June 2024
	6	June 2024
	7	June 2024
	8	June 2024
	9	June 2024
	10	June 2024
76-10-00	1	June 2024
	2	June 2024
	3	June 2024
	4	June 2024
	5	June 2024
	6	June 2024
	7	June 2024

Chapter	Page	Date
	8	June 2024
76-50-00	1	June 2024
	2	June 2024
	3	June 2024
	4	June 2024
	5	June 2024
	6	June 2024
	7	June 2024
	8	June 2024
	9	June 2024
	10	June 2024
	11	June 2024
	12	June 2024
	13	June 2024
	14	June 2024
	15	June 2024
	16	June 2024
78-10-00	1	June 2024
	2	June 2024
	3	June 2024
	4	June 2024
	5	June 2024
	6	June 2024
	7	June 2024
	8	June 2024
	9	June 2024
	10	June 2024
79-20-00	1	June 2024
	2	June 2024
	3	June 2024
	4	June 2024
	5	June 2024
	6	June 2024
	7	June 2024
	8	June 2024

BRP-Rotax
ILLUSTRATED PARTS CATALOG

Chapter	Page	Date	
80-10-00	9	June 2024	
	10	June 2024	
	11	June 2024	
	12	June 2024	
	13	June 2024	
	14	June 2024	
	1	June 2024	
	2	June 2024	
	Back page		

BRP-Rotax
ILLUSTRATED PARTS CATALOG

Chapter: TOA
TABLE OF AMENDMENTS

Approval*

The technical content of this document is approved under the authority of the DOA ref. EASA.21.J.048.

Edition 00, Revision 00 April 01 2021 Obsolete with Revision 1, which is a complete revision
 Edition 00, Revision 01 Nov.01 2023 Obsolete with Revision 2, which is a complete revision
 Edition 00, Revision 02 June 2024

Rev. no.	Chapter	Page	Date of change	Remark for approval	Date of approval from authorities	Date of inclusion	Signature
2	LEP	all	June 2024	DOA*			
2	TOA	all	June 2024	DOA*			
2	INTRO	all	June 2024	DOA*			
2	TABLE OF CONTENT	all	June 2024	DOA*			
2	00-00-00	all	June 2024	DOA*			
2	24-20-00	all	June 2024	DOA*			
2	24-30-00	all	June 2024	DOA*			
2	61-20-00	all	June 2024	DOA*			
2	71-20-00	all	June 2024	DOA*			
2	72-10-00	all	June 2024	DOA*			
2	72-20-00	all	June 2024	DOA*			
2	73-10-00	all	June 2024	DOA*			
2	74-20-00	all	June 2024	DOA*			
2	75-20-00	all	June 2024	DOA*			
2	76-10-00	all	June 2024	DOA*			
2	76-50-00	all	June 2024	DOA*			
2	78-10-00	all	June 2024	DOA*			
2	79-20-00	all	June 2024	DOA*			
2	80-10-00	all	June 2024	DOA*			

BRP-Rotax
ILLUSTRATED PARTS CATALOG

Summary of amendments

Summary of the relevant amendments in this context, but without any claim to completeness.

Rev. no.	Chapter	Page	Date of change	Comment
2	00-00-00	9 10	June 2024	Change of image Change of item 13, 14
2	24-20-00	12	June 2024	Change of item 01, 09
2	24-30-00	-	June 2024	No changes
2	61-20-00	20	June 2024	Change of item 04
2	71-20-00	24	June 2024	Change of item 01, 12
2	72-10-00	25 26 27 30 31	June 2024	Change of image Change of item 01, 08, 10, 12, 15 Change of item 23-25, 27 Change of item 01, 11 Change of item 25
2	72-20-00	34 36 38	June 2024	Change of item 01 Change of item 16 Change of item 01
2	73-10-00	40 53 55-57	June 2024	Change of item 01, 02 Change of item 12 New chapter
2	74-20-00	all 60 62	June 2024	Change of title Change of item 07 Change of item 07
2	75-20-00	64 65 66 67 70	June 2024	Change of item 14 Change of image Change of item 05 Change of item 21 Change of item 01
2	76-10-00	74	June 2024	Change of item 01
2	76-50-00	all 81 82 83 85 86 87 89	June 2024	Change of title Change of image (item order) Change of item 01, 05, 06, 07, 09, 10, 11, 12, 13, 14, 16, 17, 18 Change of item 23 Change of image Change of item 05, 06, 07, 09, 10, 11, 12, 13, 14, 16, 17 Change of item 18, 23 Change of image (item order)

BRP-Rotax
ILLUSTRATED PARTS CATALOG

Rev. no.	Chapter	Page	Date of change	Comment
		90		Change of item 05, 06, 07, 09, 10, 11, 12, 13, 14, 16, 17, 18
		91		Change of item 23, 30
		94		Change of item 05, 06, 07, 08, 09, 10, 11, 12, 13, 14, 16, 17
		95		Change of item 18, 31
2	78-10-00	98	June 2024	Change of item 09
		105		Change of image (item order)
		106		Change of item 12, 27, 28
2	79-20-00	107	June 2024	Change of image
		108		Change of item 07
		109		Change of item 12, 20
		119		Change of item 09
2	80-10-00	-	June 2024	No changes

Chapter: INTRO
INTRO

TOPICS IN THIS CHAPTER

GENERAL NOTE	8
INTRODUCTION.....	9
PARTS ORDER	9
ENGINE VIEW AND DENOMINATION OF THE CYLINDERS	10
REPEATING SYMBOLS	11
STRUCTURE	11

GENERAL NOTE

Modification

The information and components-/system descriptions contained in this Illustrated Parts Catalog (IPC) are correct at the time of publication. BRP-Rotax, however, maintains a policy of continuous improvement of its products without imposing upon itself any obligation to install them on its products previously manufactured. BRP-Rotax reserves the right at any time to discontinue or change specification, designs, features, models or equipment without incurring obligation.

Note

This Illustrated Parts Catalog (IPC) is not an offer to sell parts, but a catalog illustrating the parts available at ROTAX® authorized distributors. BRP-Rotax reserves the right to deliver the components (crankshaft, crankcase, special tools etc.) only to organizations with respective qualifications, and thus, these special components will not be listed in this IPC.

Color variations

Color variations on unpainted castings:

On unpainted surfaces (i.e. aluminium cases) minor color variations (i.e. grey tone on aluminum surface) are possible due to the manufacturing process. Such possible color variations do not affect the quality of the product and are no reason for rejection - even a color variation on castings in differing areas is acceptable.

Revision

This Illustrated Parts Catalog (IPC) will be revised as required.

NOTE

Date of issue is printed on cover and bottom end of page.

BRP-Rotax
ILLUSTRATED PARTS CATALOG


INTRODUCTION

Explanation As obvious from the cover, this Illustrated Parts Catalog (IPC) covers the current aircraft engines ROTAX® 915 i A Series. Certified and non-certified versions are available. Besides the engine-specific parts, the most popular accessories are listed too.

The ROTAX® engine of the type 915 iSc A/C24 has been certified in accordance with EASA CS-E.

The ROTAX® engine of the type 915 iS A/C24 has shown ASTM F2339 compliance.

PARTS ORDER At a parts order for a certified engine, state details of application e.g. 915 iSc C24 certified to EASA CS-E. For these parts an Authorized Release Certificate (FORM ONE TAG, see sample below) will be issued. For parts volume see enclosed packing slip.

1. Approving Competent Authority/Country Austro Control GmbH / Austria		2. AUTHORIZED RELEASE CERTIFICATE EASA FORM 1			3. Form Tracking Number	
4. Approved Organisation Name and Address:  BRP-Rotax GmbH & Co KG A-4623 Gurskirdchen, Austria Rotaxstraße 1				5. Work Order/Contract/Invoice: Delivery Note: Date:		
6. Item	7. Description	8. Part No.	9. Qty.	10. Serial No.	11. Status/Work	
12. Remarks <i>Next overhaul after xxxxx h or TSN xxxxx h total operating time or xx years since installation after</i> Service Bulletin optional: Service Bulletin effect: Service Bulletin not applic.: Displayed for: Limited life parts will normally be accompanied by maintenance history including life used						
13a. Certifies that the items identified above were manufactured in conformity to: <input checked="" type="checkbox"/> approved design data and are in condition for safe operation <input type="checkbox"/> non-approved design data specified in block 12				14a. <input type="checkbox"/> Part-145.A.50 Release to Service <input type="checkbox"/> Other Regulation specified in block 12 Certifies that unless otherwise specified in block 12, the work identified in block 11 and specified in block 12, has been accomplished in accordance with Part 145 and in respect to that work the items are considered ready for release to service		
13b. Authorized Signature <small>Electronic Signature on PDF</small>		13c. Approval/Authorisation Number AT.21 G.0006	14b. Authorized Signature		14c. Certificate/Approval Ref. No.	
13d. Name		13e. Date (dd mm yyyy)	14d. Name			

BRP FORM 1 - 21.06.2017 Regarding User/installer responsibilities, Import/Storage requirements please see reverse side PRINTED FROM ELECTRONIC FILE

Figure 1.1: Authorized Release Certificate

NOTE

On all enquiries or spare part orders, always indicate engine serial number, as the manufacturer makes modification to engine for further development.

Engine serial number When making inquiries or ordering parts, always indicate the engine serial number, as the engine manufacturer might make modifications to the engine in the course of product improvement. The engine serial number is on top of the crankcase, behind the propeller gearbox.

ENGINE VIEW AND DENOMINATION OF THE CYLINDERS

PTO	power take off side
MAG	magneto side
Cyl. 1	Cylinder 1
Cyl. 2	Cylinder 2
Cyl. 3	Cylinder 3
Cyl. 4	Cylinder 4
1	Engine serial number

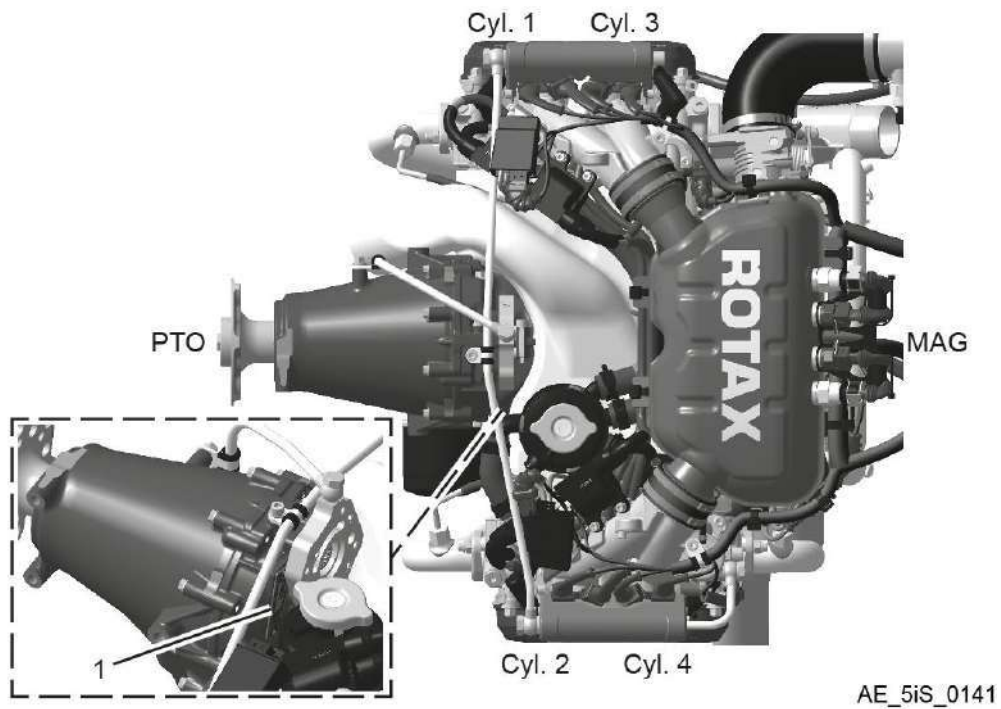


Figure 1.2: Engine

AE_5iS_0141

REPEATING SYMBOLS

NOTE

Indicates supplementary information which may be needed to fully complete or understand an instruction.

XXX In illustrations this sign indicates the position of the current serial number (e. g. on crankshaft, camshaft, etc.).
In descriptions (in part no. column) this sign indicates, that this part has no part number.

STRUCTURE

Exploded view

Each section starts with an exploded view of the engine components on the left side. The corresponding heading and the listing of the parts is on the right side and the following pages.

The numbering on the exploded view is in the sequence of assembly as good as practicable.

For prevention of errors and to simplify exchange we tried best to list the part number of each component only once. But for better understanding components are frequently depicted without being listed, but referred to a respective section, if considered necessary.

Engine-column

For each engine type the right amount of spare parts per engine is listed in the relevant engine-column.

If the quantity is in brackets, it indicates that the part is not absolutely necessary but optional on the respective engine type.

A small letter added to the number refers to information at the end of the section. No number in the column parts per assembly indicates that this part is not planned for the respective engine.

Abbreviations

Find the following statements in the columns:

N	newly introduced part
AR	as required

BRP-Rotax

ILLUSTRATED PARTS CATALOG

Chapter: 24-20-00
 IGNITION HOUSING, STATOR, CRANKSHAFT
 POSITION SENSOR

ITEM#	STATUS	PART#	DESCRIPTION	915 iS A ASTM	915 iSc A	915 iS C24 ASTM	915 iSc C24
01	N	912249	IGNITION HOUSING ASSY.	1	1	0	0
01		912248	IGNITION HOUSING ASSY. <small>Ill. no.5 as required still valid not available</small>	1	1	0	0
02	XXX		O-RING 5x2 see chapter 72-20-00	0	0	3	3
03			HEX.SCREW M8x20 <small>non certified SI-PAC-001</small>	2	2	0	0

AE_IPC_2iS_0006

Figure 1.3: TYPICAL

© BRP-Rotax
ILLUSTRATED PARTS CATALOG

DESCRIPTION	PAGE
Chapter: 00-00-00 REPAIR TOOLS (All repair tools are non-certified parts)	1
Chapter: 00-00-00 REPAIR TOOLS (All repair tools are non-certified parts)	3
Chapter: 00-00-00 REPAIR TOOLS (All repair tools are non-certified parts)	5
Chapter: 00-00-00 LUBRICANTS (All lubricants are non-certified parts)	7
Chapter: 00-00-00 DOCUMENTATION, LABELS, GASKET SETS	9
Chapter: 24-20-00 IGNITION HOUSING, STATOR, CRANKSHAFT POSITION SENSOR	11
Chapter: 24-30-00 EXTERNAL GENERATOR F3A	15
Chapter: 61-20-00 ARRANGEMENT FOR CONSTANT SPEED AND FIXED PITCH PROPELLER	19
Chapter: 71-20-00 ENGINE SUSPENSION FRAME	23
Chapter: 72-10-00 PROPELLER GEAR ASSY.	25
Chapter: 72-10-00 OVERLOAD CLUTCH, DAMPER CLUTCH	29
Chapter: 72-20-00 CRANKCASE	33
Chapter: 72-20-00 CRANKSHAFT, PISTON, CYLINDER, SPRAG CLUTCH	35
Chapter: 72-20-00 CAMSHAFT, VALVE TRAIN, CYLINDER HEAD, VALVE COVER	37
Chapter: 73-10-00 INTAKE MANIFOLD, AIRBOX, THROTTLE BODY SOCKET	39
Chapter: 73-10-00 INTERCOOLER, WASTEGATE	43

© BRP-Rotax
ILLUSTRATED PARTS CATALOG

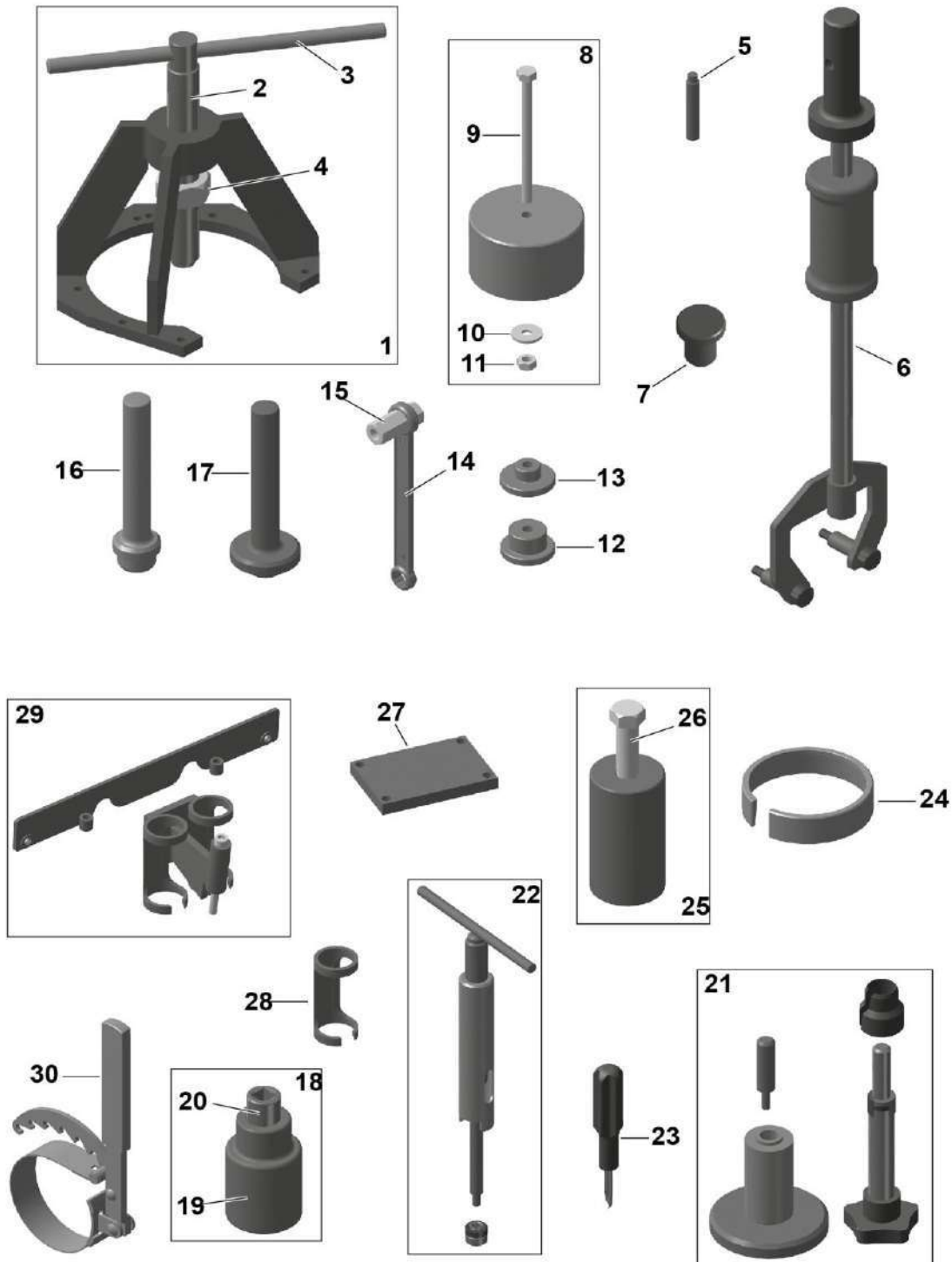
DESCRIPTION	PAGE
Chapter: 73-10-00 FUEL INJECTOR, FUEL RAIL, PRESSURE REGULATOR, FUEL RAIL COVER	47
Chapter: 73-10-00 FUEL PUMP ASSY.	51
Chapter: 73-10-00 FUEL PUMP ASSY.	55
Chapter: 74-20-00 IGNITION COILS, IGNITION CABLE, SPARK PLUG CONNECTOR, SPARK PLUG (Faston connector)	59
Chapter: 74-20-00 IGNITION COILS, IGNITION CABLE, SPARK PLUG CONNECTOR, SPARK PLUG (Tyco connector)	61
Chapter: 75-20-00 WATER PUMP WITH DRIVE	63
Chapter: 75-20-00 EXPANSION TANK WITH HOSES AND CONNECTIONS	65
Chapter: 75-20-00 COOLING AIR BAFFLE	69
Chapter: 76-10-00 ENGINE CONTROL UNIT, FUSE BOX, REGULATOR 915 iSc A, 915 iS A	73
Chapter: 76-10-00 ENGINE CONTROL UNIT, FUSE BOX, REGULATOR 915 iSc C24, 915 iS C24	77
Chapter: 76-50-00 WIRING HARNESS (Faston connectors ignition coil) 915 iSc A, 915 iS A	81
Chapter: 76-50-00 WIRING HARNESS (Tyco connectors ignition coil) 915 iSc A, 915 iS A	85
Chapter: 76-50-00 WIRING HARNESS (Faston connectors ignition coil) 915 iSc C24, 915 iS C24	89
Chapter: 76-50-00 WIRING HARNESS (Tyco connectors ignition coil) 915 iSc C24, 915 iS C24	93

© BRP-Rotax
ILLUSTRATED PARTS CATALOG

DESCRIPTION	PAGE
Chapter: 78-10-00 EXHAUST SYSTEM, EXHAUST TEMPERATURE SENSOR (old version) 915 iSc A, 915 iS A	97
Chapter: 78-10-00 EXHAUST SYSTEM, EXHAUST TEMPERATURE SENSOR (new version)	101
Chapter: 78-10-00 TURBOCHARGER	105
Chapter: 79-20-00 OIL TANK	107
Chapter: 79-20-00 OIL PUMP ASSY., OIL FILTER, OIL TEMPERATURE SENSOR, OIL PRESSURE SENSOR	111
Chapter: 79-20-00 OIL TEMPERATURE SENSOR, OIL PRESSURE SENSOR, OIL SPRAY NOZZLE ASSY.	115
Chapter: 79-20-00 OIL RADIATOR	117
Chapter: 80-10-00 ELECTRIC STARTER	121

Chapter: 00-00-00

REPAIR TOOLS (All repair tools are non-certified parts)



AE_IPC_6iS_0053

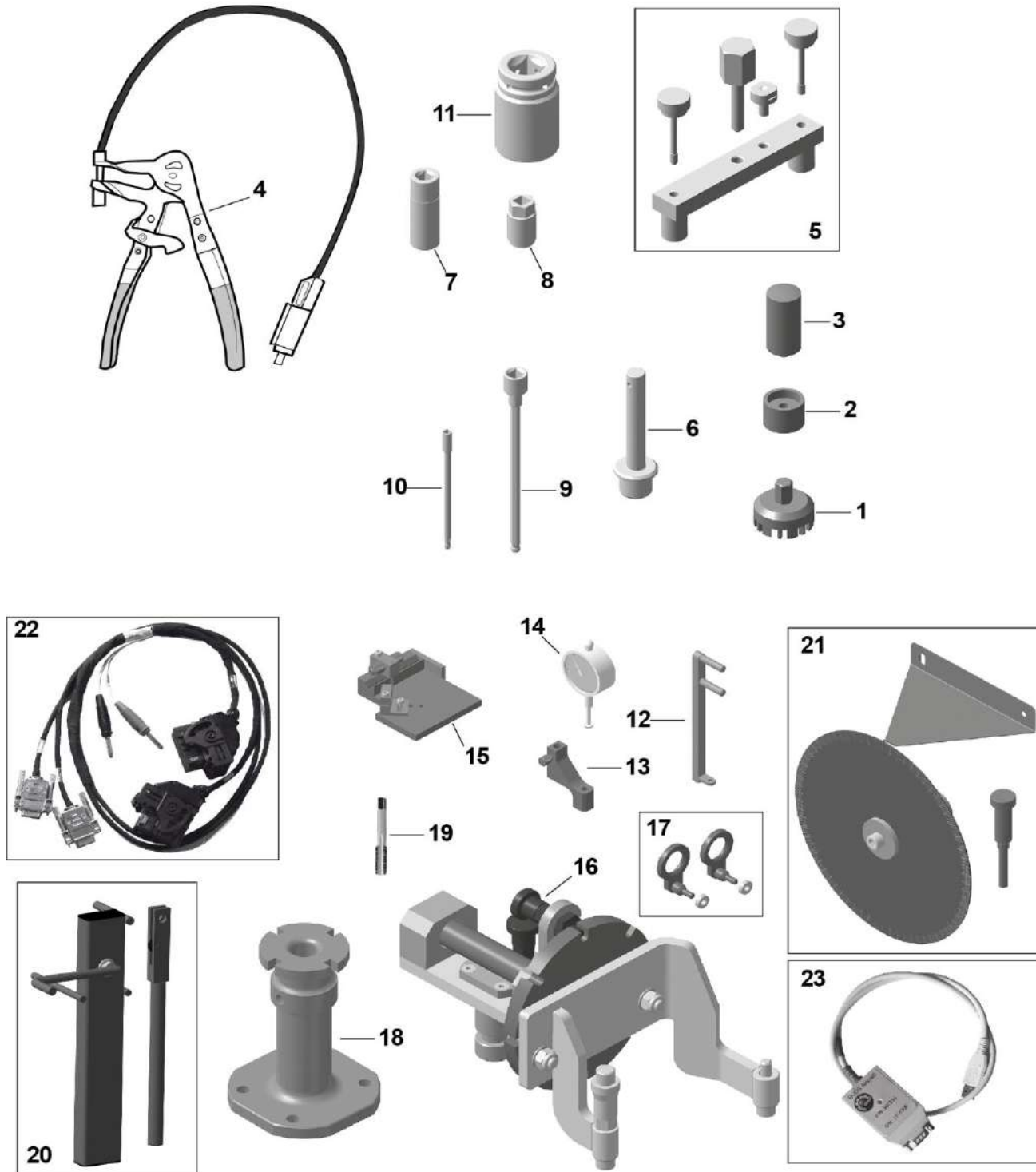
Chapter: 00-00-00

REPAIR TOOLS (All repair tools are non-certified parts)

ITEM#	STATUS	PART#	DESCRIPTION	915 iSc A	915 iS A	915 iSc C24	915 iS C24
01		877615	EXTRACTOR ASSY. Ill. no. 1-4	1	1	1	1
02		877580	PULL-IN SPINDLE M24X1.5	1	1	1	1
03		276155	BOLT 12X250	1	1	1	1
04		XXX	HEX. SCREW M24x1.5 - 19MM	1	1	1	1
05		240880	LOCKING PIN	1	1	1	1
06		877660	PULLER ASSY.	1	1	1	1
07		877419	PROTECTION MUSHROOM	1	1	1	1
08		876489	PULLER ASSY. Ill. no. 8-11	1	1	1	1
09		XXX	HEX. SCREW M6x80	1	1	1	1
10		827305	WASHER 6.2/18/2	1	1	1	1
11		242214	HEX.NUT M6 8.8	1	1	1	1
12		877597	PRESS-IN MUSHROOM	1	1	1	1
13		877595	PRESS-IN MUSHROOM	1	1	1	1
14		876470	RING SPANNER 10/13	1	1	1	1
15		XXX	DISTANCE NUT M8x33	1	1	1	1
16		276332	INSERTION JIG	1	1	1	1
17		877276	INSERTION JIG	1	1	1	1
18		877445	SOCKET WRENCH ASSY. 41X12.5 Ill. no. 18-20	1	1	1	1
19		877440	SOCKET WRENCH A/F 41X20	1	1	1	1
20		877460	REDUCING SOCKET 3/4 inch - 1/2 inch	1	1	1	1
21		877802	CIRCLIP INSTALLATION TOOL	1	1	1	1
22		877091	PISTON PIN EXTRACTOR ASSY. Ill. no. 22-23	1	1	1	1
23		976380	MONOHOOK CIRCLIP REMOVER	1	1	1	1
24		876967	PISTON RING SPANNER 84 MM	1	1	1	1
25		877375	PULLER ASSY. Ill. no. 25-26	1	1	1	1
26		XXX	HEX. SCREW M16x1.5x150	1	1	1	1
27		877263	CYLINDER ALIGNING TOOL	1	1	1	1
28		877380	VALVE SPRING MOUNTING DEVICE	1	1	1	1
29		877387	VALVE SPRING LOADING JIG ASSY.	1	1	1	1
30		877620	OIL FILTER WRENCH	1	1	1	1

Chapter: 00-00-00

REPAIR TOOLS (All repair tools are non-certified parts)



AE_IPC_6iS_0054

© BRP-Rotax
ILLUSTRATED PARTS CATALOG

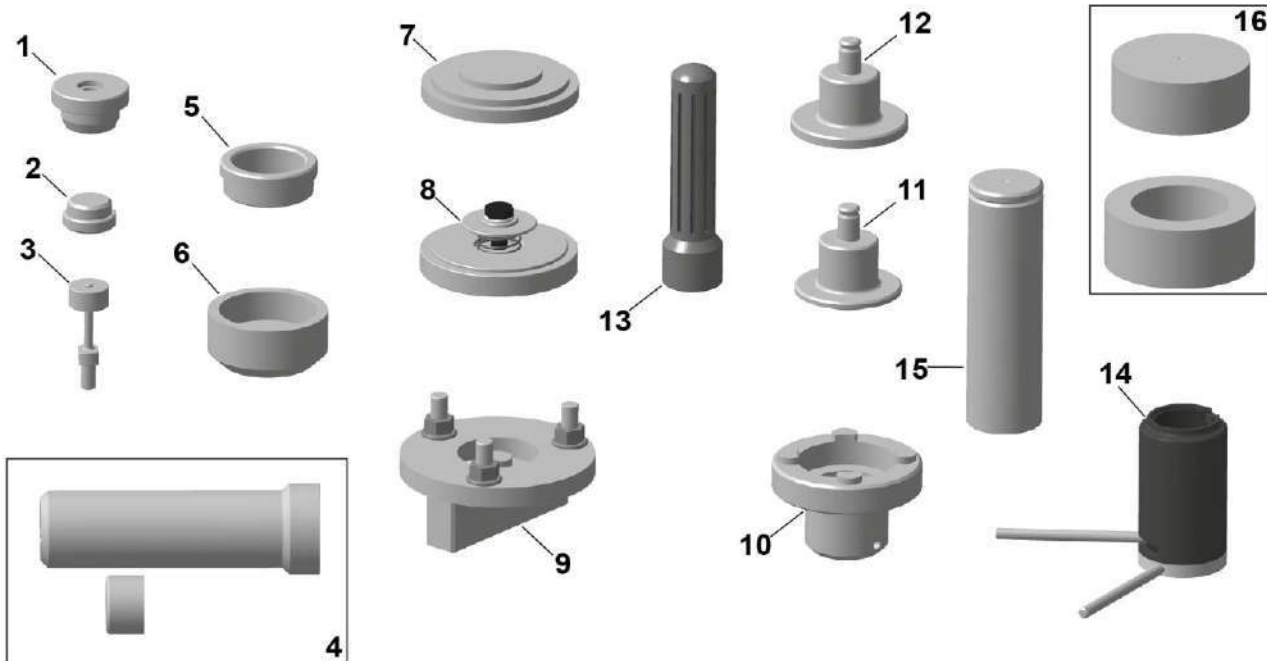
Chapter: 00-00-00

REPAIR TOOLS (All repair tools are non-certified parts)

ITEM#	STATUS	PART#	DESCRIPTION	915 iSc A	915 iS A	915 iSc C24	915 iS C24
01		877295	IMPELLER WRENCH	1	1	1	1
02		877258	PRESS IN JIG	1	1	1	1
03		876510	INSERTION JIG	1	1	1	1
04		877840	SPRING CLAMP PLIERS	1	1	1	1
05		876010	PULLER ASSY.	1	1	1	1
06		876020	INSERTION JIG	1	1	1	1
07		876075	SOCKET WRENCH 21X12.5	1	1	1	1
08		876130	SOCKET WRENCH 19X12.5	1	1	1	1
09		876240	SOCKET DRIVER HEX. 8 BALL HEAD	1	1	1	1
10		876180	SOCKET DRIVER T30 BALL HEAD	1	1	1	1
11		876070	SOCKET WRENCH 38X20	1	1	1	1
12		877690	CHECK LEVER	1	1	1	1
13		877710	DIAL GAUGE ADAPTER ASSY	1	1	1	1
14		876950	PRECISION DIAL GAUGE	1	1	1	1
15		976140	DIAL GAUGE ADAPTER ASSY.	1	1	1	1
16		876050	TRESTLE ADAPTER ASSY.	1	1	1	1
17		876040	ENGINE LIFT SET ASSY.	1	1	1	1
18		877930	TRESTLE SUPPORT	1	1	1	1
19		877570	TAPPING DRILL M18X1	1	1	1	1
20		877670	CUTTING TOOL still valid	1	1	1	1
20		276275	OIL FILTER CUTTING TOOL PACKAGED	1	1	1	1
21		877520	PROTRACTOR CRANKSHAFT DISTORTION INSP.	1	1	1	1
22		864280	SERVICE WIRING HARNESS ASSY. power supply unit included	1	1	1	1
23		864023	B.U.D.S. SET LEVEL 3 for distributors/OEM	1	1	1	1
23		864022	B.U.D.S. SET LEVEL 2 for maintenance personnel	1	1	1	1
23		864021	B.U.D.S. SET LEVEL 1 for pilots/users	1	1	1	1

Chapter: 00-00-00

REPAIR TOOLS (All repair tools are non-certified parts)



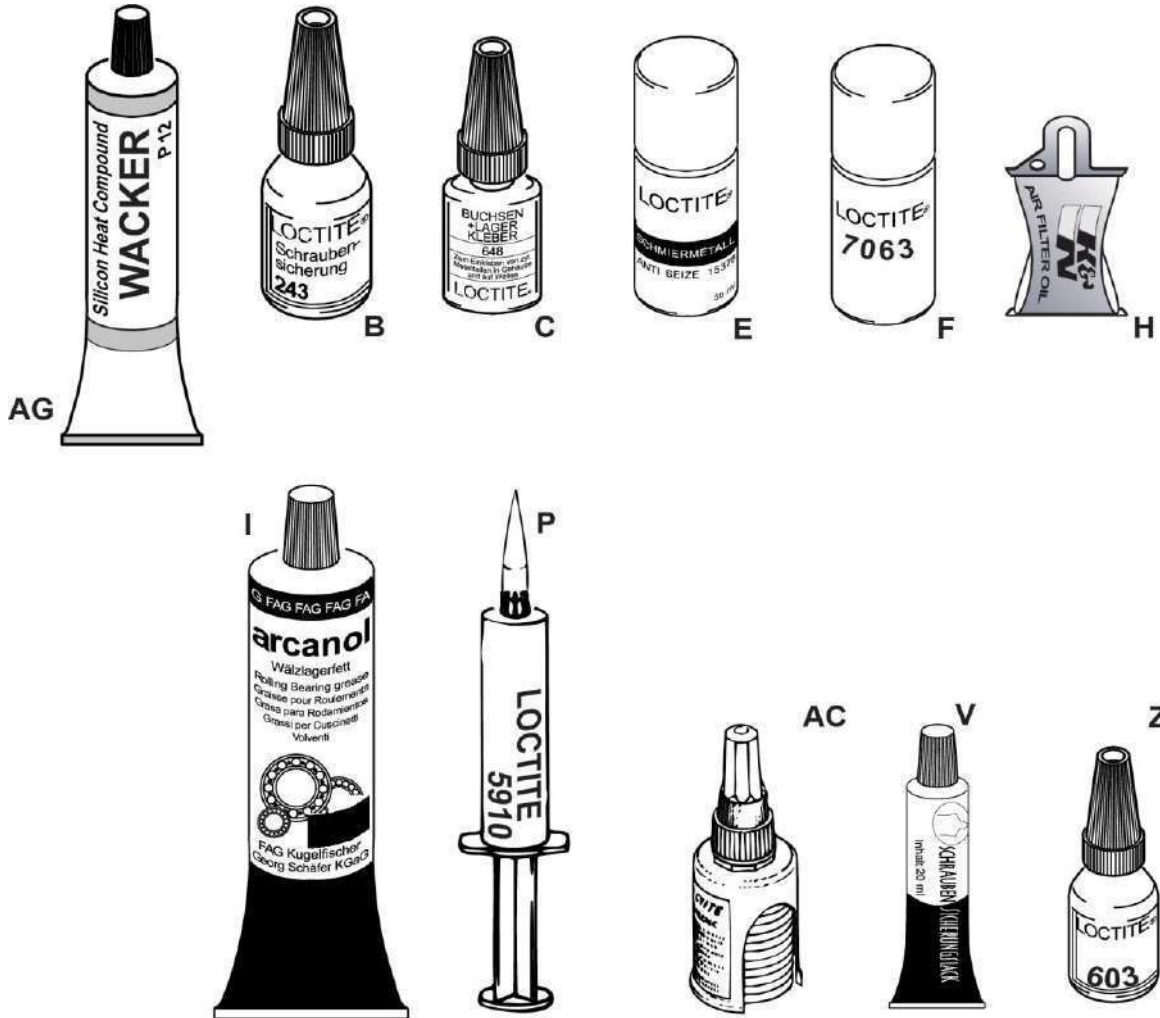
AE_IPC_5iS_0030

Chapter: 00-00-00

REPAIR TOOLS (All repair tools are non-certified parts)

ITEM#	STATUS	PART#	DESCRIPTION	915 iSc A	915 iS A	915 iSc C24	915 iS C24
01		276000	PRESS IN JIG	1	1	1	1
02		276002	PRESS OUT MUSHROOM	1	1	1	1
03		276004	PULL STUD	1	1	1	1
04		276006	SOCKET WRENCH AF 46	1	1	1	1
05		276950	CENTERING RING	1	1	1	1
06		276952	INSERTION JIG	1	1	1	1
07		276954	CENTERING PLATE	1	1	1	1
08		276956	CENTERING PLATE	1	1	1	1
09		276958	SUPPORT PLATE	1	1	1	1
10		276962	TWIST TOOL	1	1	1	1
11		276964	INSERTION JIG	1	1	1	1
12		276966	INSERTION JIG	1	1	1	1
13		877650	HANDLE FOR INSERTION JIG	1	1	1	1
14		276968	RETAINING RING TOOL	1	1	1	1
15		276972	INSERTION SLEEVE	1	1	1	1
16		276974	INSERTION JIG	1	1	1	1

Chapter: 00-00-00
LUBRICANTS (All lubricants are non-certified parts)



AE_IPC_5iS_0052

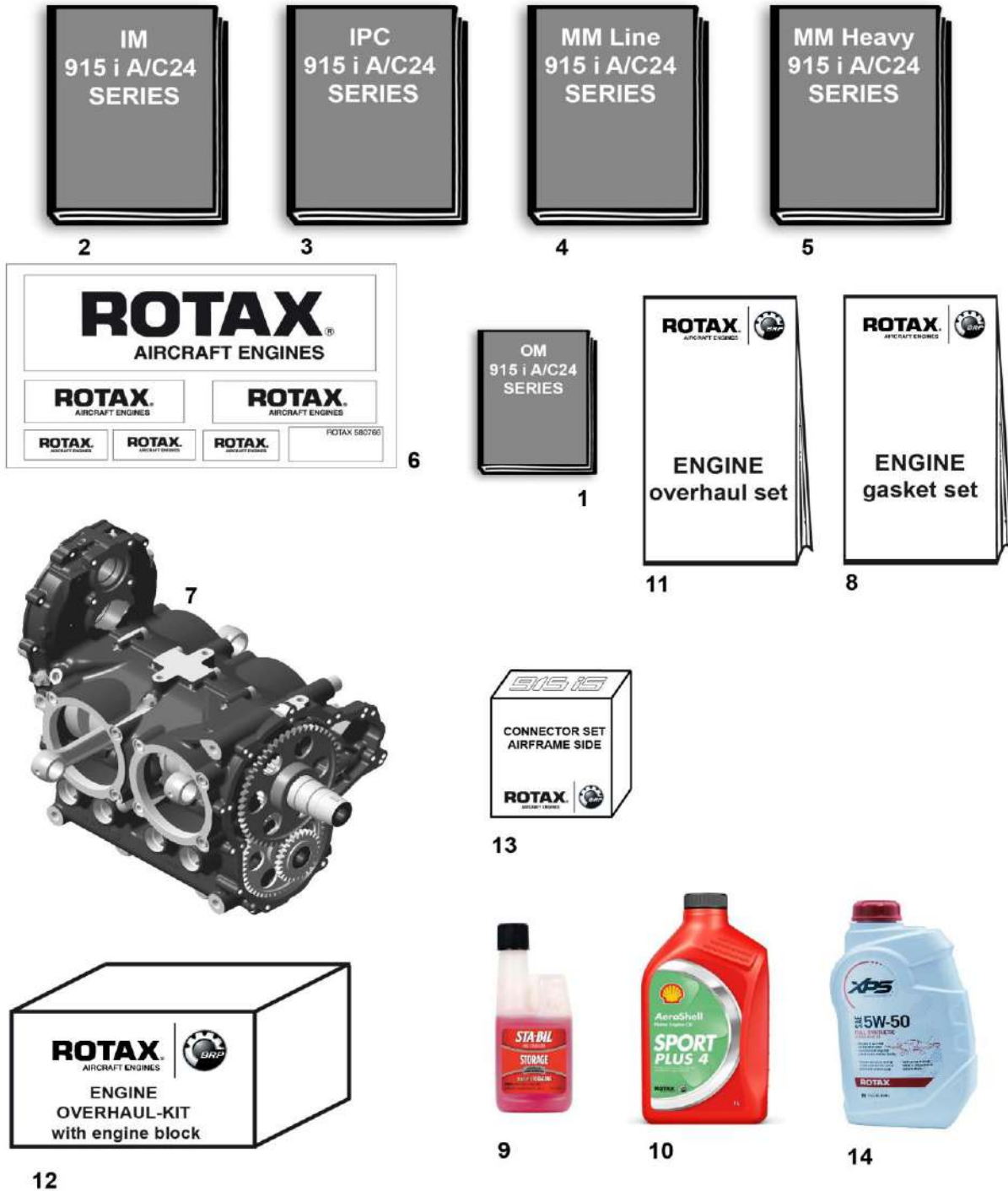
© BRP-Rotax
ILLUSTRATED PARTS CATALOG

Chapter: 00-00-00

LUBRICANTS (All lubricants are non-certified parts)

ITEM#	STATUS	PART#	DESCRIPTION	915 iSc A	915 iS A	915 iSc C24	915 iS C24
01		897186	SILICONE HEAT COMPOUND 150G Ill. no. AG	1	1	1	1
02		897651	LOCTITE 243 BLUE. 10 CC. Ill. no. B	1	1	1	1
03		899788	LOCTITE 648 GREEN. 5 CC Ill. no. C	1	1	1	1
04		297438	LOCTITE ANTI SEIZE 8151 400 ML Ill. no. E	1	1	1	1
04		297434	LOCTITE ANTI SEIZE 8151 50 ML. Ill. no. E still valid as required	1	1	1	1
05		XXX	LOCTITE 7063 Ill. no. F	1	1	1	1
06		897870	INTAKE FILTER OIL 14.8 ML. Ill. no. H	1	1	1	1
07		897330	LITHIUM-BASE GREASE. 250 GR.. Ill. no. I	1	1	1	1
08		899791	LOCTITE 5910. 50 ML Ill. no. P	1	1	1	1
09		899796	LOCTITE 577 YELLOW 50 CC Ill. no. AC	1	1	1	1
10		898570	LOCKING PAINT 20 ML Ill. no. V	1	1	1	1
11		899789	LOCTITE 603 GREEN. 10 CC. Ill. no. Z	1	1	1	1

Chapter: 00-00-00
DOCUMENTATION, LABELS, GASKET SETS

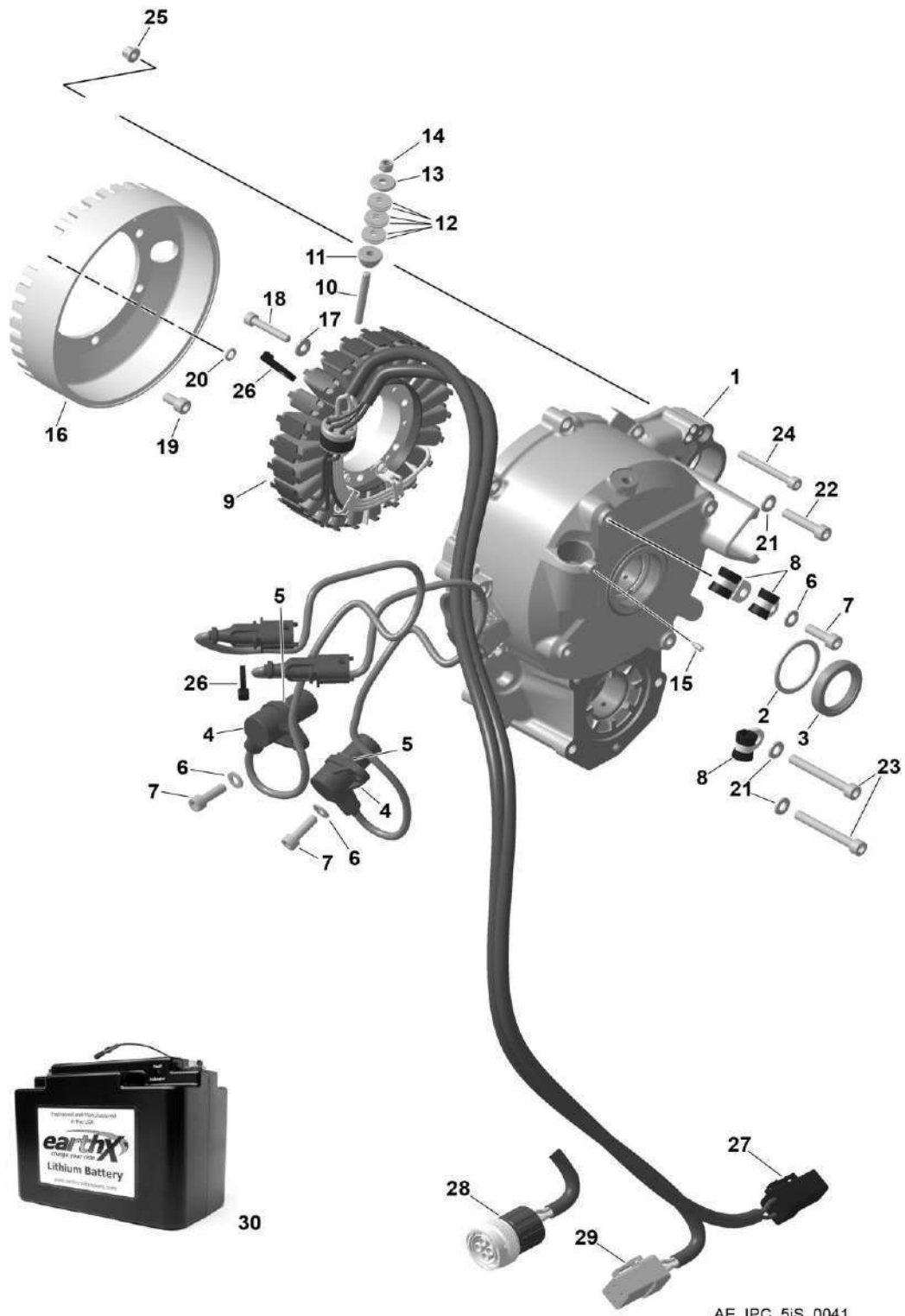


AE_IPC_5iS_0039

Chapter: 00-00-00
DOCUMENTATION, LABELS, GASKET SETS

ITEM#	STATUS	PART#	DESCRIPTION	915 iSc A	915 iS A	915 iSc C24	915 iS C24
01		898851	OPERATORS-MANUAL	1	1	1	1
02		898871	INSTALLATION-MANUAL 915 iS	1	1	1	1
03		898895	ILLUSTRATED PARTS CATALOG 915 ISC C24	1	1	1	1
04		898863	MAINTENANCE-MANUAL (LINE)	1	1	1	1
05		898861	MAINTENANCE-MANUAL (HEAVY)	1	1	1	1
06		580691	DECAL KIT ROTAX 915 IS non certified not available	1	1	1	1
06		580683	DECAL KIT ROTAX AIRCRAFT ENGINES non certified not available	1	1	1	1
07		300091501	ENGINE BLOCK ASSY. PACKED see chapter 72-20-00 for overhaul certified service centers only	1	1	1	1
08		686245	GASKET SET 915 IS	1	1	1	1
09		897346	FUEL STABILIZER - SMALL CONTAINER 118 ML as required	0	0	0	1
10		297997	AEROSHELL SPORT PLUS 4 GEN 2 still valid	1	1	1	1
11		XXX	OVERHAUL SET see OVERHAUL MANUAL (OHM) for overhaul certified service centers only	1	1	1	1
12		XXX	OVERHAUL SET WITH ENGINE BLOCK see OVERHAUL MANUAL (OHM)	0	0	0	1
13	N	881245	CONNECTOR SET AIRFRAME SIDE C24 see chapter 76-50-00	0	0	1	1
13		881240	CONNECTOR SET AIRFRAME SIDE see chapter 76-50-00	1	1	0	0
14	N	298114	XPS-AIRCRAFT 5W50 OIL - 5GAL as required SI-915i-001	1	1	1	1
14	N	298110	XPS-AIRCRAFT 5W50 OIL - 1QT as required SI-915i-001	1	1	1	1
14	N	298116	XPS-AIRCRAFT 5W50 OEL - 55GAL as required SI-915i-001	1	1	1	1

Chapter: 24-20-00
IGNITION HOUSING, STATOR, CRANKSHAFT POSITION SENSOR



AE_IPC_5iS_0041

Chapter: 24-20-00

IGNITION HOUSING, STATOR, CRANKSHAFT POSITION SENSOR

ITEM#	STATUS	PART#	DESCRIPTION	915 iSc A	915 iS A	915 iSc C24	915 iS C24
01		912248	IGNITION HOUSING ASSY. SI-915i-008 with sprag clutch housing 852409 and oil nozzle 456540 not available	1	1	0	0
01		912415	IGNITION HOUSING ASSY. replacement of 912248. with sprag clutch housing 852409 and oil nozzle 456540	1	1	0	0
01		912416	IGNITION HOUSING ASSY. with sprag clutch housing 852409 and oil nozzle 456540 holes for e-starter mounting 7 degree turned. corresponding crankcase see Overhaul Manual (OHM)	1	1	1	1
02		827220	WASHER 32/38/1.5	1	1	1	1
03		230429	OIL SEAL GPRE 28x38 x7 FKM	1	1	1	1
04		966572	CRANKSHAFT POSITION SENSOR Ill. no. 4-5	2	2	2	2
05		431580	O-RING 17.17X1.78 FPM 70	2	2	2	2
06		945831	LOCK WASHER -A6	3	3	3	3
07		241935	ALLEN SCREW - M6x20	2	2	2	2
08		853412	CABLE CLAMP	3	3	3	3
09		685067	STATOR ASSY. not available	1	1	0	0
09	N	889562	STATOR ASSY. with round Amphenol connector for generator B SI-915i-006	1	1	1	1
10		840792	STUD M5X44	1	1	1	1
11		947510	DISTANCE SLEEVE	1	1	1	1
12		938080	DISK SPRING 15X5.2X0.7	6	6	6	6
13		827240	WASHER 5.1/15.5/2.5	1	1	1	1
14		842033	LOCK NUT M5	1	1	1	1
15		840820	ADJUSTMENT SCREW M4X8	1	1	1	1
16		685072	MAGNETO FLYWHEEL ASSY.	1	1	1	1
17		827801	WASHER - N - 6 - 200 HV	6	6	6	6
18		940882	ALLEN SCREW - M5x30	6	6	6	6
19		840036	ALLEN SCREW - M6X12	6	6	6	6

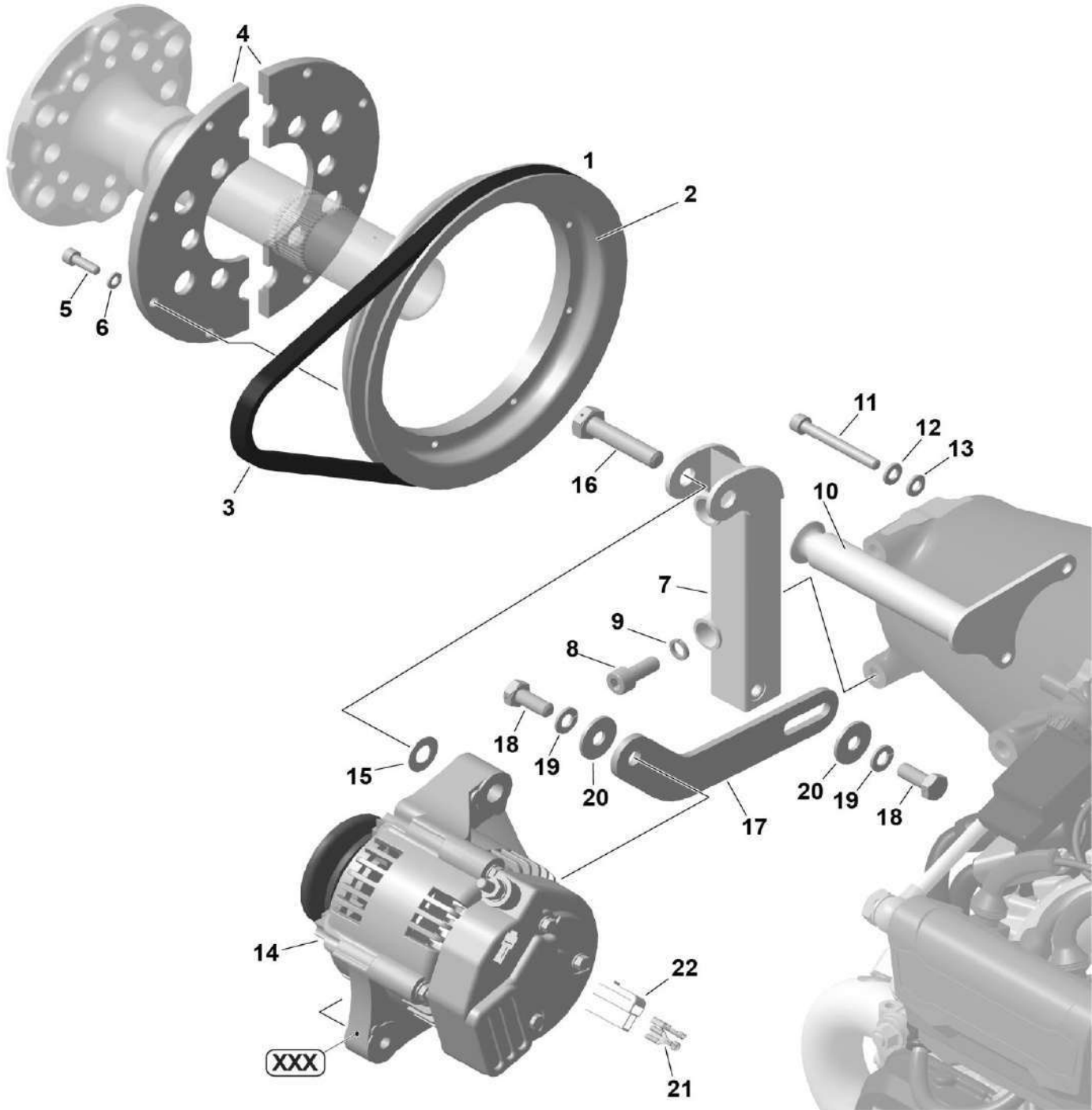
Chapter: 24-20-00

IGNITION HOUSING, STATOR, CRANKSHAFT POSITION SENSOR

ITEM#	STATUS	PART#	DESCRIPTION	915 iSc A	915 iS A	915 iSc C24	915 iS C24
20		831929	O-RING - 5X2 see chapter 72-20-00	1	1	1	1
21		827962	WASHER - A 6.4	7	7	7	7
22		840888	ALLEN SCREW - M6x30	5	5	5	5
23		241762	ALLEN SCREW - M6x50	2	2	2	2
24		941792	ALLEN SCREW - M5x45	2	2	2	2
25		942311	HEX. NUT M5	2	2	2	2
26		866714	TIE WRAP 142x3.2 MM	2	2	2	2
27		866420	CONNECTOR SET BLACK see chapter 76-10-00	1	1	1	1
28		864653	CONNECTOR ASSY. AMPHENOL see chapter 76-10-00	1	1	1	1
29		866422	CONNECTOR SET GREY see chapter 76-10-00	1	1	0	0
30		966265	LITHIUM-BATTERY 12V 12AH SI-PAC-025 non certified	1	1	1	1
30		966260	LITHIUM-BATTERY 12V 16AH SI-PAC-025 non certified	1	1	1	1

This page intentionally left blank

Chapter: 24-30-00
EXTERNAL GENERATOR F3A



AE_IPC_5iS_0042

Chapter: 24-30-00
EXTERNAL GENERATOR F3A

ITEM#	STATUS	PART#	DESCRIPTION	915 iSc A	915 iS A	915 iSc C24	915 iS C24
01		887259	ALTERNATORSET Ill. no. 1-22 non certified SI-PAC-001 optional	1	1	0	0
02		980590	V-BELT PULLEY non certified SI-PAC-001 optional	1	1	0	0
03		980400	V-BELT 9.5X675 non certified SI-PAC-001 optional	1	1	0	0
04		980605	PULLEY CARRIER non certified SI-PAC-001 optional	2	2	0	0
05		840514	ALLEN SCREW - M5x16 non certified SI-PAC-001 optional	8	8	0	0
06		945830	LOCK WASHER - A5 non certified SI-PAC-001 optional	8	8	0	0
07		953223	ALTERNATOR BRACKET ASSY. non certified SI-PAC-001 optional	1	1	0	0
08		240072	ALLEN SCREW - M8x20 non certified SI-PAC-001 optional	2	2	0	0
09		845310	LOCK WASHER VHZ 8 non certified SI-PAC-001 optional	2	2	0	0

Chapter: 24-30-00
EXTERNAL GENERATOR F3A

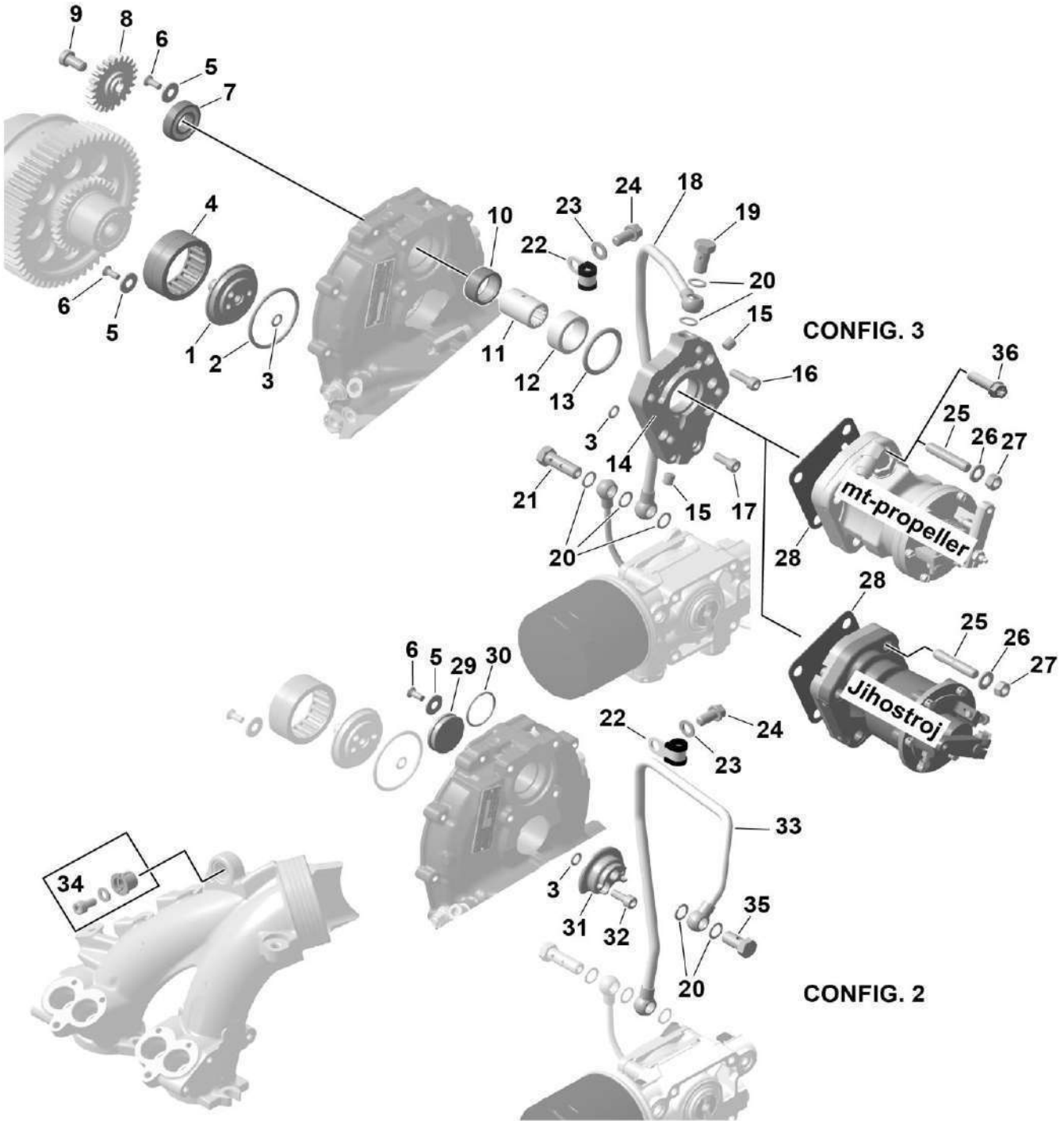
ITEM#	STATUS	PART#	DESCRIPTION	915 iSc A	915 iS A	915 iSc C24	915 iS C24
10		953235	ALTERNATOR SUPPORT ASSY. non certified SI-PAC-001 optional	1	1	0	0
11		241762	ALLEN SCREW - M6x50 non certified SI-PAC-001 optional	2	2	0	0
12		945831	LOCK WASHER - A6 non certified SI-PAC-001 optional	2	2	0	0
13		827962	WASHER - A 6.4 non certified SI-PAC-001 optional	2	2	0	0
14		887251	ALTERNATOR F3A non certified SI-PAC-001 optional	1	1	0	0
15		927952	THRUST WASHER 10.1/20/0.5 non certified SI-PAC-001 optional	1	1	0	0
16		941637	HEX. SCREW M10X45 with bore for safety wire non certified SI-PAC-001 optional	1	1	0	0
17		953241	TENSION BAR non certified SI-PAC-001 optional	1	1	0	0
18		940597	HEX. SCREW M8X20 non certified SI-PAC-001 optional	2	2	0	0

Chapter: 24-30-00
EXTERNAL GENERATOR F3A

ITEM#	STATUS	PART#	DESCRIPTION	915 iSc A	915 iS A	915 iSc C24	915 iS C24
19		945832	LOCK WASHER - A8 non certified SI-PAC-001 optional	2	2	0	0
20		227936	WASHER - 8 non certified SI-PAC-001 optional	2	2	0	0
21		864011	FASTON CONNECTOR 6.3X0.8 non certified SI-PAC-001 optional	2	2	0	0
22		265255	CONNECTOR HOUSING 2-POLE non certified SI-PAC-001 optional	1	1	0	0

Chapter: 61-20-00

ARRANGEMENT FOR CONSTANT SPEED AND FIXED PITCH PROPELLER



AE_IPC_5iS_0002

Chapter: 61-20-00

ARRANGEMENT FOR CONSTANT SPEED AND FIXED PITCH PROPELLER

ITEM#	STATUS	PART#	DESCRIPTION	915 iSc A	915 iS A	915 iSc C24	915 iS C24
01		810310	OIL INLET FLANGE	1	1	1	1
02		430175	O-RING 46X3	1	1	1	1
03		830415	O-RING 7X2	2	2	2	2
04	N	832953	NEEDLE BEARING RNA 49/32 40-52-20	1	1	1	1
04		832952	NEEDLE BEARING RNA 49/32 40-52-20 still valid	1	1	1	1
05		227280	THRUST WASHER	2	2	2	2
06		940316	COUNTERSUNK SCREW M5X12	2	2	2	2
07		832363	BALL BEARING 16002 C3 PAB4F	1	1	1	1
08		834245	VACUUM PUMP GEAR 22 T	1	1	1	1
09		941522	ALLEN SCREW - M8x16	1	1	1	1
10		232925	NEEDLE SLEEVE 22X28X12	1	1	1	1
11		847773	DRIVE SLEEVE	1	1	1	1
12		847802	SPACER 25/31.95/13	1	1	1	1
13		950380	O-RING - 32X4	1	1	1	1
14		810070	GOVERNOR FLANGE	1	1	1	1
15		941611	PLUG SCREW M8X1	2	2	2	2
16		241935	ALLEN SCREW - M6x20	4	4	4	4
17		241237	ALLEN SCREW - M6x16	2	2	2	2
18		956460	PRESSURE OIL LINE ASSY.	1	1	1	1
19		940876	BANJO BOLT M10X1X23	1	1	1	1
20		230150	SEALING RING A 10X14	5	5	5	5
21		940877	BANJO BOLT M10X1X34	1	1	1	1
22		853418	CABLE CLAMP	1	1	1	1
23		944131	WASHER 8	1	1	1	1
24		440854	EX./TORX-FLANGE SCREW M8X16	1	1	1	1
25		840711	STUD M8X21/20 non certified SI-PAC-002	4	4	4	4
26		945832	LOCK WASHER - A8 non certified SI-PAC-002	4	4	4	4
27		942674	HEX. NUT M8 (WS 11mm) non certified SI-PAC-002	4	4	4	4
28		931372	GASKET non certified SI-PAC-002	1	1	1	1

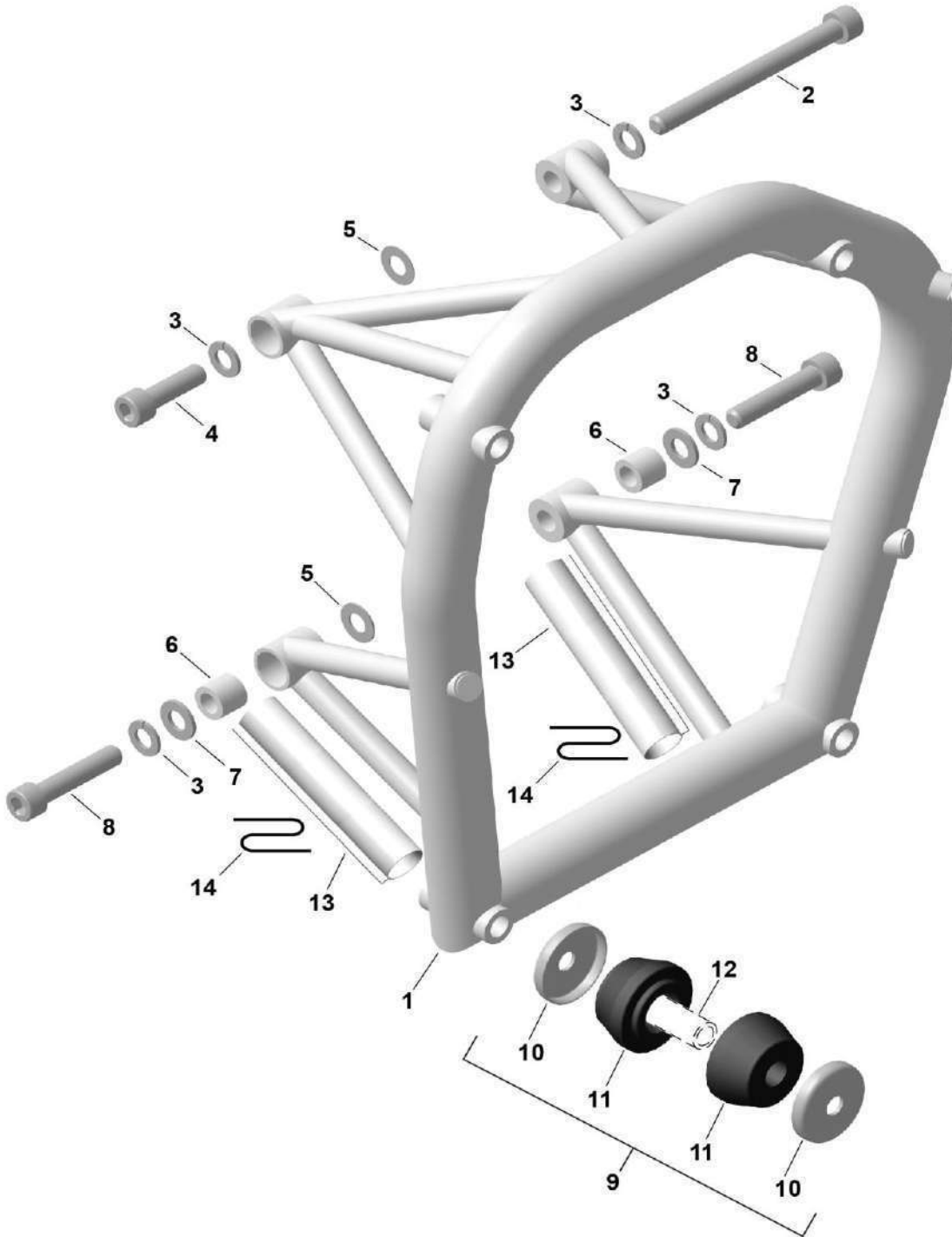
Chapter: 61-20-00

ARRANGEMENT FOR CONSTANT SPEED AND FIXED PITCH PROPELLER

ITEM#	STATUS	PART#	DESCRIPTION	915 iSc A	915 iS A	915 iSc C24	915 iS C24
29		944222	BLINDING SHIM Configuration 2	1	1	1	1
30		430061	O-RING - 26.7X1.8 Configuration 2	1	1	1	1
31		810321	OIL INLET FLANGE Configuration 2 810321 only with short banjo bolt 940187	1	1	1	1
32		241237	ALLEN SCREW - M6x16 Configuration 2	2	2	2	2
33		956465	GEARBOX OIL LINE ASSY. Configuration 2	1	1	1	1
34		481485	GOVERNOR CABLE KIT non certified see chapter 73-10-00 SI-PAC-003	1	1	1	1
35		241073	BANJO BOLT M10X1X19	1	1	1	1
36		440867	HEX./TORX-FLANGE SCREW M8X35-SW10/T40 Alternative to goveror attachment. Instead of 25. 26. and 27	4	4	4	4

This page intentionally left blank

Chapter: 71-20-00
ENGINE SUSPENSION FRAME

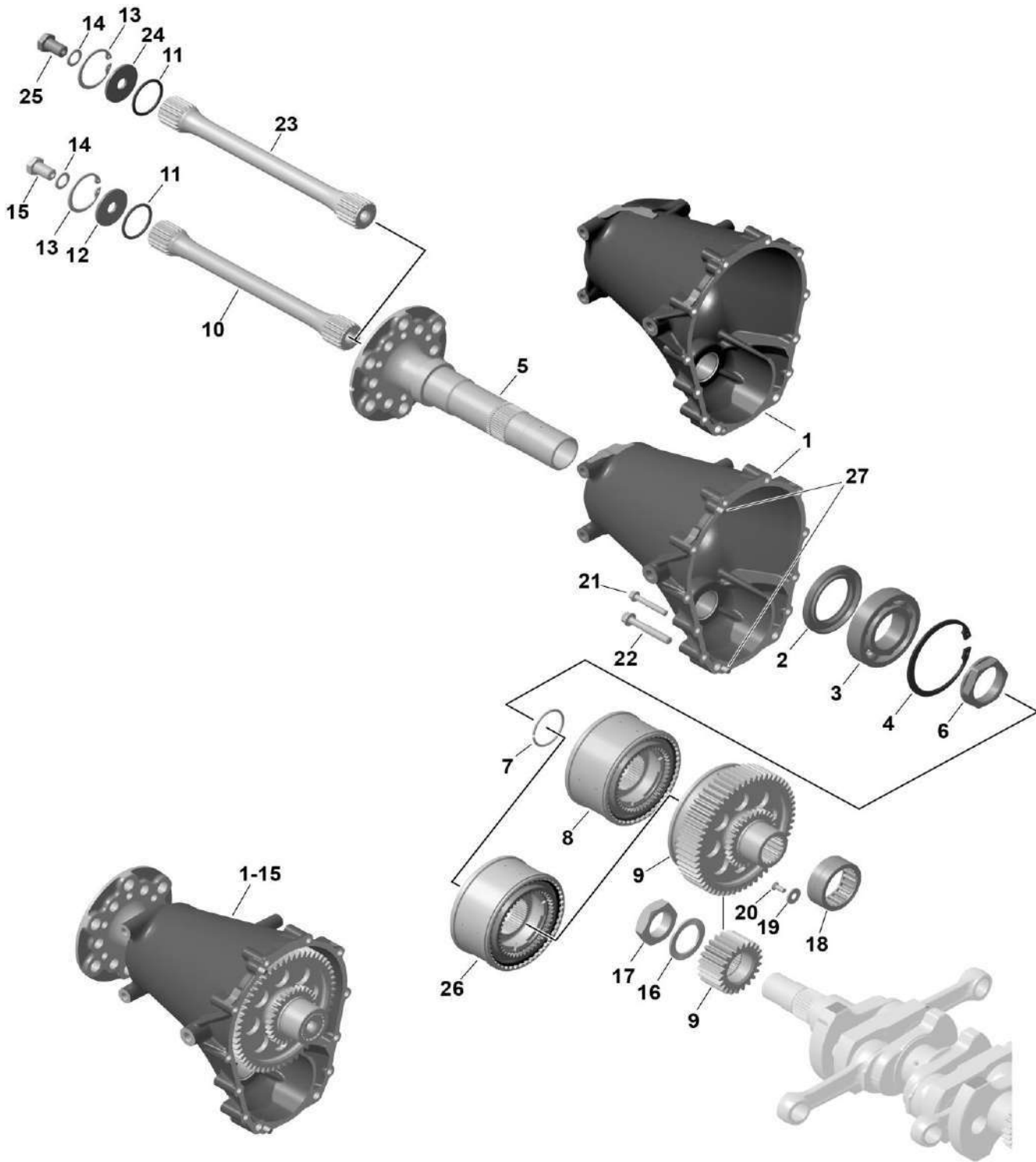


AE_IPC_5iS_0003

Chapter: 71-20-00
ENGINE SUSPENSION FRAME

ITEM#	STATUS	PART#	DESCRIPTION	915 iSc A	915 iS A	915 iSc C24	915 iS C24
01		886563	ENGINE SUSPENSION FRAME ASSY. still valid	1	1	1	1
01	N	886565	ENGINE SUSPENSION FRAME ASSY.	1	1	1	1
02		941487	ALLEN SCREW - M10X110	1	1	1	1
03		945753	LOCK WASHER A10 still valid	4	4	4	4
03		945833	LOCK WASHER A10	4	4	4	4
04		840948	ALLEN SCREW - M10X35	1	1	1	1
05		927954	THRUST WASHER 10.1/20/1.5 as required	1	1	1	1
05		927952	THRUST WASHER 10.1/20/0.5 as required	1	1	1	1
05		927953	THRUST WASHER 10.1/20/1.0 as required	1	1	1	1
06		847841	SPACER 10.5/17/15	2	2	2	2
07		927411	WASHER 10.5	2	2	2	2
08		640572	ALLEN SCREW - M10X50	2	2	2	2
09		860695	SHOCK MOUNT SET Ill. no. 9-11 non certified SI-PAC-004	1	1	1	1
10		944240	CUP WASHER non certified SI-PAC-004	8	8	8	8
11		860690	SHOCK MOUNT non certified SI-PAC-004	8	8	8	8
12		XXX	STRUT not available SI-PAC-004	4	4	4	4
13		860650	PROTECTION TUBE (HEAT RESISTANT) as required in a roll not with Form 1 available	1	1	1	1
13		860653	PROTECTION TUBE HEAT RESISTANT 110 MM	2	2	2	2
14		297555	SAFETY WIRE 0.8 as required	1	1	1	1

Chapter: 72-10-00
PROPELLER GEAR ASSY.



AE_IPC_5iS_0043

© BRP-Rotax
ILLUSTRATED PARTS CATALOG

Chapter: 72-10-00
PROPELLER GEAR ASSY.

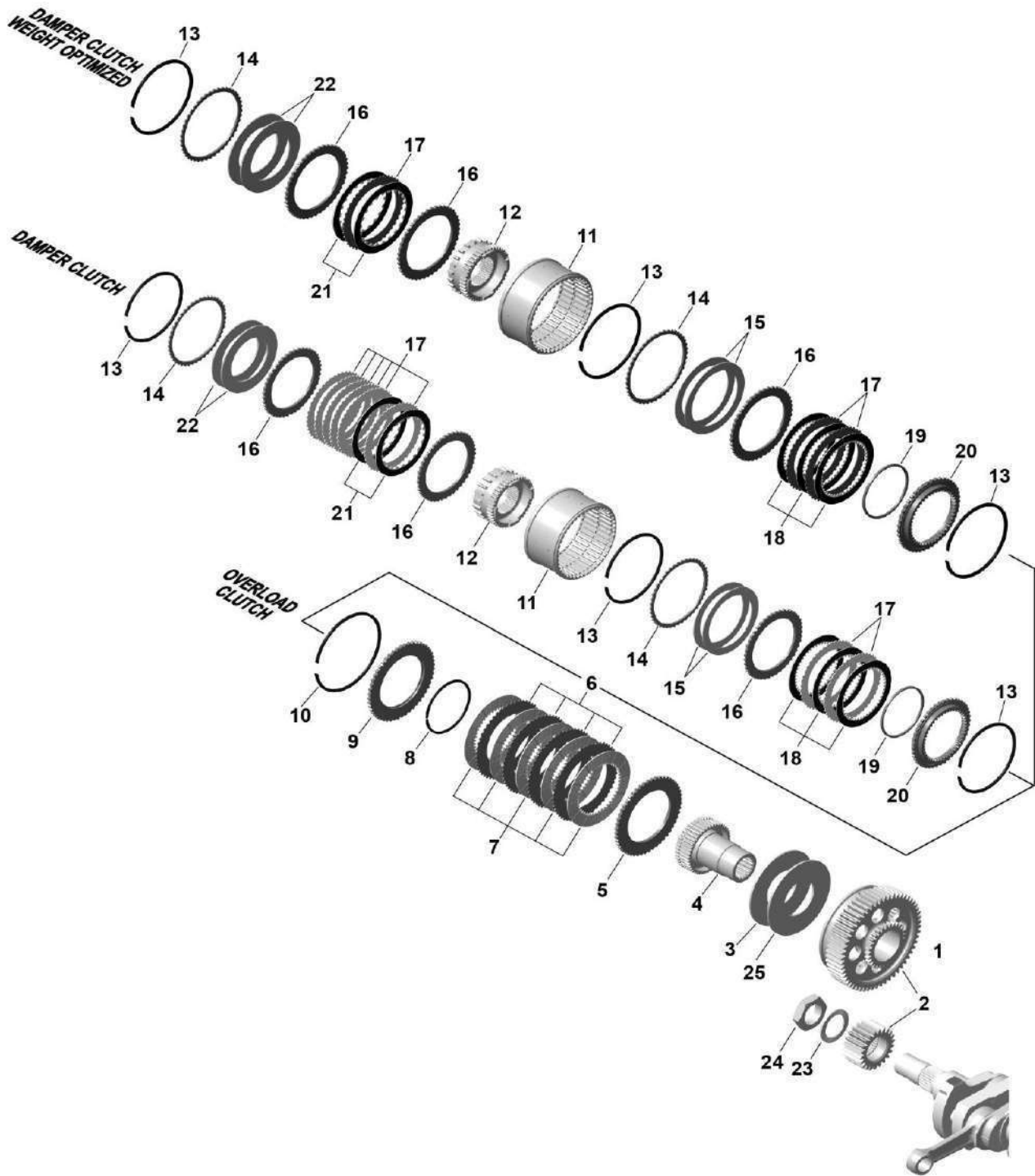
ITEM#	STATUS	PART#	DESCRIPTION	915 iSc A	915 iS A	915 iSc C24	915 iS C24
01		686790	GEARSET 2.54 - 3 TORSION SHAFT PACKAGED Ill. no. 1-15. 21. 22. 23. 24. 27 Configuration 3	1	1	1	1
01		911988	GEARBOX HOUSING ASSY. Attachment points changed 2 additional attachment points First introduced with configuration 2	1	1	1	1
02		950091	OIL SEAL AS 48X72X8 FKM	1	1	1	1
03		832062	B. BEARING 6208 TN9 C3PAB4F 40-80-18	1	1	1	1
04		845121	RETAINING RING 80X2.85	1	1	1	1
05		837225	PROPELLER SHAFT	1	1	1	1
06		942320	COLLAR NUT M40X1.5 LH	1	1	1	1
07		245935	RETAINING RING - 38	1	1	1	1
08		958418	DAMPING CLUTCH ASSY. not available	1	1	0	0
09		958414	OVERLOAD CLUTCH ASSY. not available	1	1	1	1
09		958425	OVERLOAD CLUTCH ASSY. slipping torque increased	1	1	1	1
10		837200	TORSION SHAFT not available must be assembled with 841150 and 827470	1	1	0	0
11		230915	O-RING - 33X3	1	1	1	1
12		827470	SEALING WASHER 40x12.1x2.5 not available 841150 must be assembled with 827470	1	1	0	0
13		945880	RETAINING RING 40X1.75	1	1	1	1
14		250646	SEALING RING - A 12X18	1	1	1	1
15		841150	HEX. SCREW - M12X20 Configuration 3 not available must be assembled with 827470	1	1	0	0
16		845431	FRICTION WASHER VS30	1	1	1	1
17		842579	HEX. NUT M30X1.5 12MM. LH	1	1	1	1
18		832952	NEEDLE BEARING RNA 49/32 40-52-20 see chapter 61-20-00	1	1	1	1
19		227280	THRUST WASHER see chapter 61-20-00	1	1	1	1

Chapter: 72-10-00
PROPELLER GEAR ASSY.

ITEM#	STATUS	PART#	DESCRIPTION	915 iSc A	915 iS A	915 iSc C24	915 iS C24
20		940316	COUNTERSUNK SCREW M5X12-5.8 see chapter 61-20-00	1	1	1	1
21		440282	SK/TORX-FLANGE SCREW M6X40-SW8/T30	10	10	10	10
22		940077	HEX./TORX-FLANGE SCREW M8X45-SW10/T40	2	2	2	2
23		837206	TORSION SHAFT must be assembled with 827472 and 841153 or 841155	1	1	1	1
24		827472	SEALING WASHER 40x12.1x2.5 841153 or 841155 must be assembled with 827472 and 837201. 837203 or 837206	1	1	1	1
25		841155	HEX. SCREW - M12X20 Configuration 3 must be assembled together with 827472 and 837201 or 837203 or 837206	1	1	1	1
25		841153	HEX. SCREW - M12X20 Configuration 2 must be assembled together with 827472 and 837201. 837203 or 837206	1	1	1	1
26		958419	DAMPING CLUTCH ASSY. With optimized. 5 mm shorter First introduced with configuration 2	1	1	1	1
27	N	429230	DOWEL 6X20	2	2	2	2

This page intentionally left blank

Chapter: 72-10-00
OVERLOAD CLUTCH, DAMPER CLUTCH



AE_IPC_5iS_0044

Chapter: 72-10-00
OVERLOAD CLUTCH, DAMPER CLUTCH

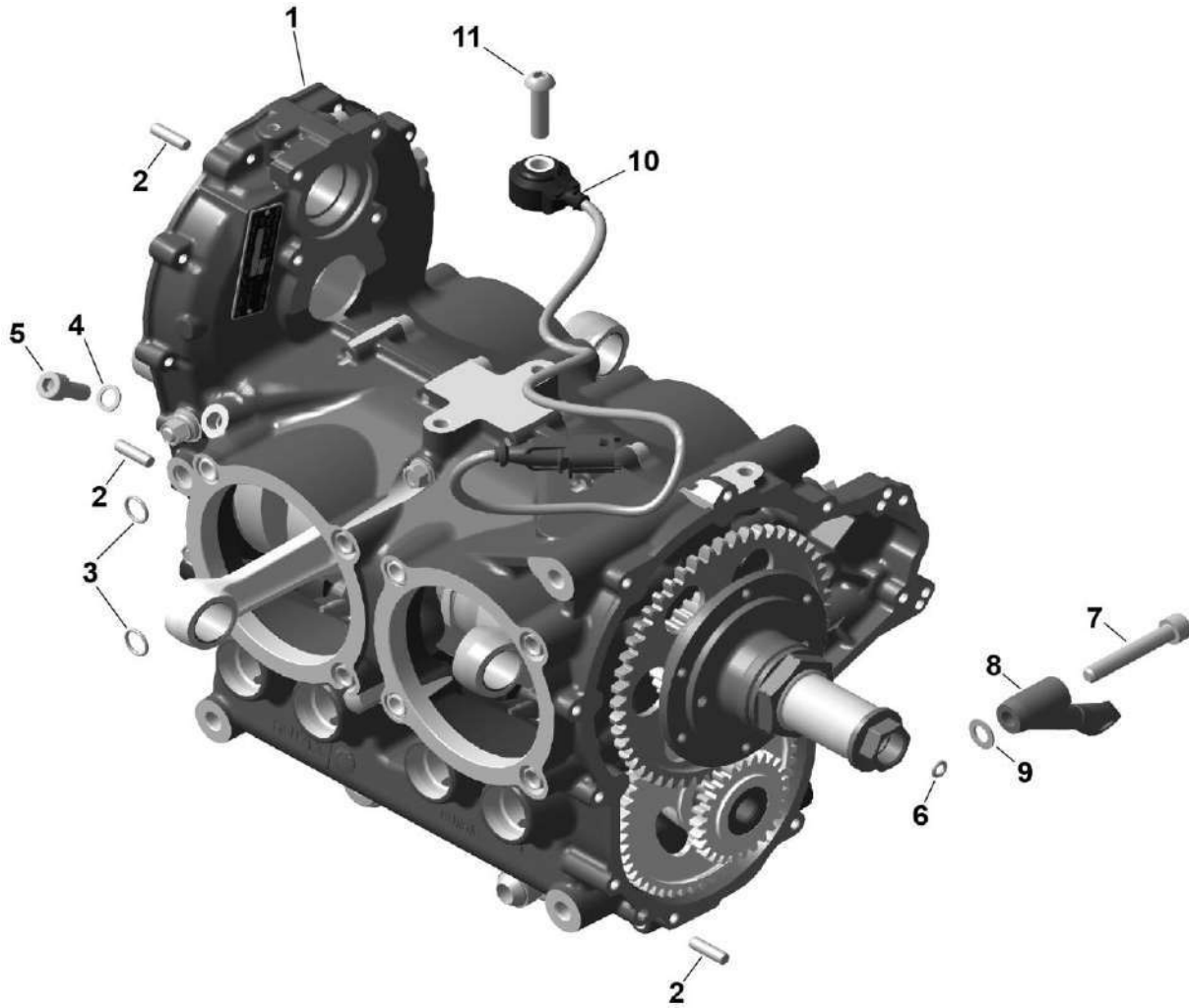
ITEM#	STATUS	PART#	DESCRIPTION	915 iSc A	915 iS A	915 iSc C24	915 iS C24
01		958425	OVERLOAD CLUTCH ASSY. Ill. no. 1-10. 25 1 x 938092 + 1 x 938093 slipping torque increased	1	1	1	1
01		958414	OVERLOAD CLUTCH ASSY. Ill. no. 1-10 2 x 938092 not available	1	1	1	1
02		886081	GEAR SET I 2.54	1	1	1	1
03		938092	DISK SPRING 102X49X2.9	1	1	1	1
04		837233	INTERMEDIATE SHAFT Oil bore for friction discs	1	1	1	1
05		958400	STEEL FRICTION PLATE 4.0 MM	1	1	1	1
06		958160	STEEL FRICTION PLATE 1.0 MM	4	4	4	4
07		958178	SINTER FRICTION PLATE 1.8 MM	5	5	5	5
08		945080	CIRCLIP SW 68	1	1	1	1
09		958402	STEEL FRICTION PLATE 4.0 MM	1	1	1	1
10		945075	CIRCLIP SB 105	1	1	1	1
11		958419	DAMPING CLUTCH ASSY. Ill. no. 11-22 Weight optimized. 5 mm shorter. 5 steel friction plates less	1	1	1	1
11		958043	CLUTCH DRUM Weight optimized. 5 mm shorter. 5 steel friction plates less	1	1	1	1
11		958418	DAMPING CLUTCH ASSY. not available	1	1	0	0
11		958042	CLUTCH DRUM not available	1	1	0	0
12		958023	CLUTCH HUB Weight optimized. 5 mm shorter. 5 steel friction plates less	1	1	1	1
12		958022	CLUTCH HUB not available	1	1	0	0
13		945070	CIRCLIP SB 93	3	3	3	3
14		927021	SUPPORT RING	2	2	2	2
15		938098	DISK SPRING 91.5X71X1.5	2	2	2	2
16		959420	STEEL FRICTION PLATE 3.0 MM	3	3	3	3
17		958932	STEEL FRICTION PLATE 1.0 MM	8	8	8	8

Chapter: 72-10-00
OVERLOAD CLUTCH, DAMPER CLUTCH

ITEM#	STATUS	PART#	DESCRIPTION	915 iSc A	915 iS A	915 iSc C24	915 iS C24
18		958993	FRICION PLATE 1.54 MM	3	3	3	3
19		847895	SPACER RING 69/64.1/3.0	1	1	1	1
20		958103	DRIVING COLLAR	1	1	1	1
21		958994	FRICION PLATE 1.54 MM	2	2	2	2
22		938099	DISK SPRING 91.5X60X2.1	2	2	2	2
23		845431	FRICION WASHER VS30	1	1	1	1
24		842579	HEX. NUT M30X1.5 12MM. LH	1	1	1	1
25	N	938094	DISK SPRING 102X49X3.1 for adjustable overload clutch	1	1	1	1
25		938093	DISK SPRING 102X49X3.1 slipping torque increased still valid	1	1	1	1

This page intentionally left blank

Chapter: 72-20-00
CRANKCASE

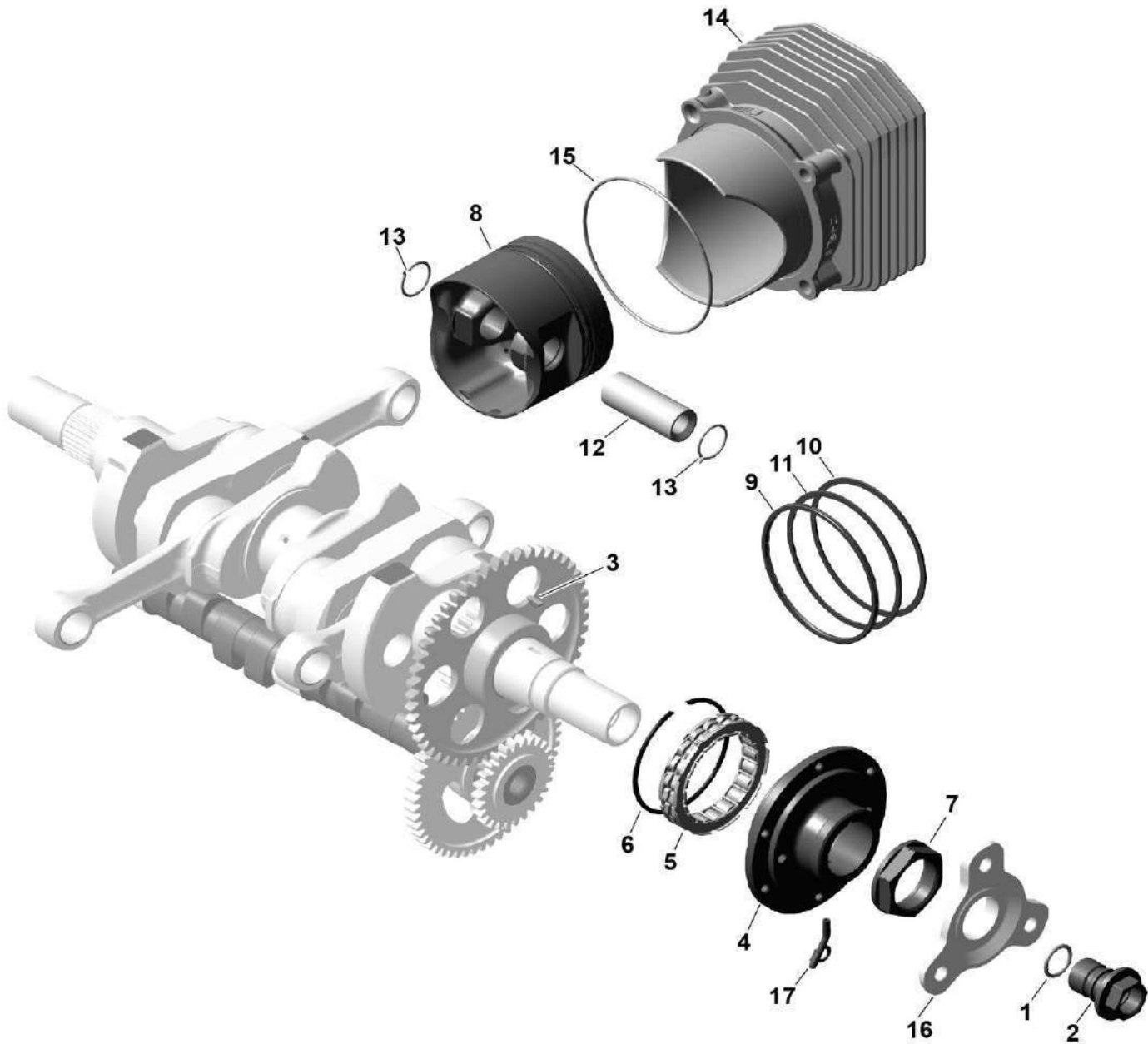


AE_IPC_5iS_0006

Chapter: 72-20-00
CRANKCASE

ITEM#	STATUS	PART#	DESCRIPTION	915 iSc A	915 iS A	915 iSc C24	915 iS C24
01		300091501	ENGINE BLOCK ASSY. PACKED	1	1	1	1
02		429230	DOWEL 6X20	2	2	2	2
03		431570	O-RING -10.82X1.78	8	8	8	8
04		950141	SEALING RING A 8X13	1	1	1	1
05		240072	ALLEN SCREW - M8x20	1	1	1	1
06		831929	O-RING - 5X2	1	1	1	1
07		440107	ALLEN SCREW - M8X50	1	1	1	1
08		953306	MANIFOLD BRACKET ASSY. see chapter 78-10-00	1	1	1	1
09		926401	WASHER 8.4/15/1 see chapter 78-10-00	1	1	1	1
10		866270	KNOCK SENSOR	1	1	1	1
11		570661	LENS HEAD SCREW - M8X30	1	1	1	1

Chapter: 72-20-00
CRANKSHAFT, PISTON, CYLINDER, SPRAG CLUTCH

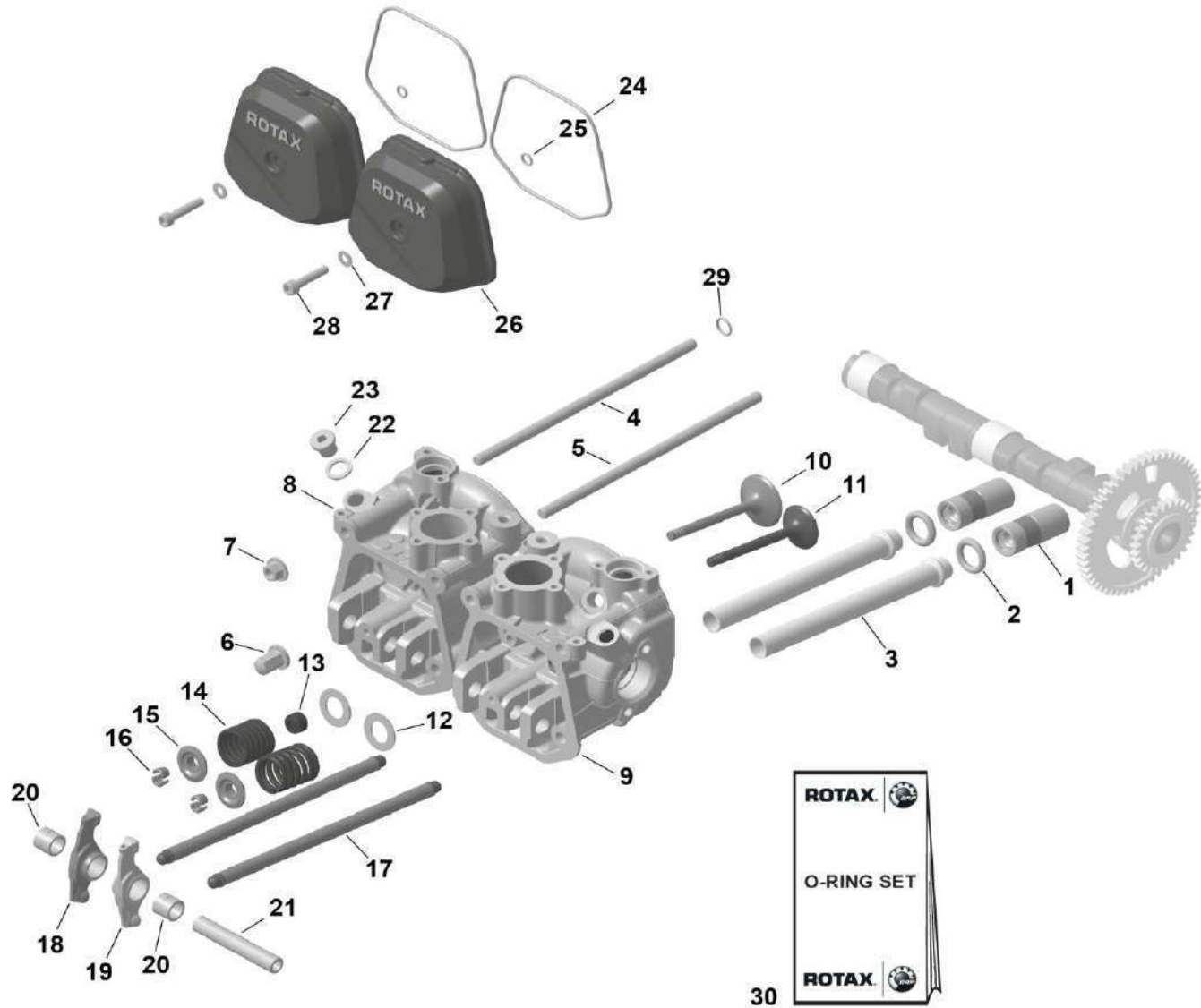


AE_IPC_5iS_0007

Chapter: 72-20-00
CRANKSHAFT, PISTON, CYLINDER, SPRAG CLUTCH

ITEM#	STATUS	PART#	DESCRIPTION	915 iSc A	915 iS A	915 iSc C24	915 iS C24
01		430225	O-RING - 15.9X2.3	1	1	1	1
02		940526	PLUG SCREW M20X1.5	1	1	1	1
03		246055	WOODRUFF KEY 3X3.7	1	1	1	1
04		852409	SPRAG CLUTCH HOUSING SI-915i-008	1	1	1	1
05		958856	SPRAG CLUTCH 51.710X68.377X13	1	1	1	1
06		845425	CIRCLIP 70	1	1	1	1
07		942250	HEX. NUT M32X1.5-LH	1	1	1	1
08		893928	PISTON ASSY. 84/84.01 MM still valid	4	4	4	4
08		893929	PISTON ASSY. 84/84.01 MM	4	4	4	4
09		815232	OIL SCRAPER RING 84X77.3X3 still valid	0	0	4	4
09		815230	OIL SCRAPER RING 84X76.5X3	4	4	4	4
10		815253	RECTANGULAR RING 84/77X1.5 still valid	4	4	4	4
10		815257	RECTANGULAR RING 84/77X1.5	4	4	4	4
11		815280	TAPERED COMPRESSION RING 84	4	4	4	4
12		916380	PISTON PIN 20X12X51.3	4	4	4	4
13		845106	MONOHOOK CIRCLIP 20	8	8	8	8
14		913229	CYLINDER	4	4	4	4
15		250510	O-RING - 87X2	4	4	4	4
16		953978	GENERATOR FLANGE non certified optional SI-PAC-023	1	1	1	1
17		456540	OIL SPRAY NOZZLE ASSY. SI-915i-008	1	1	1	1

Chapter: 72-20-00
CAMSHAFT, VALVE TRAIN, CYLINDER HEAD, VALVE COVER



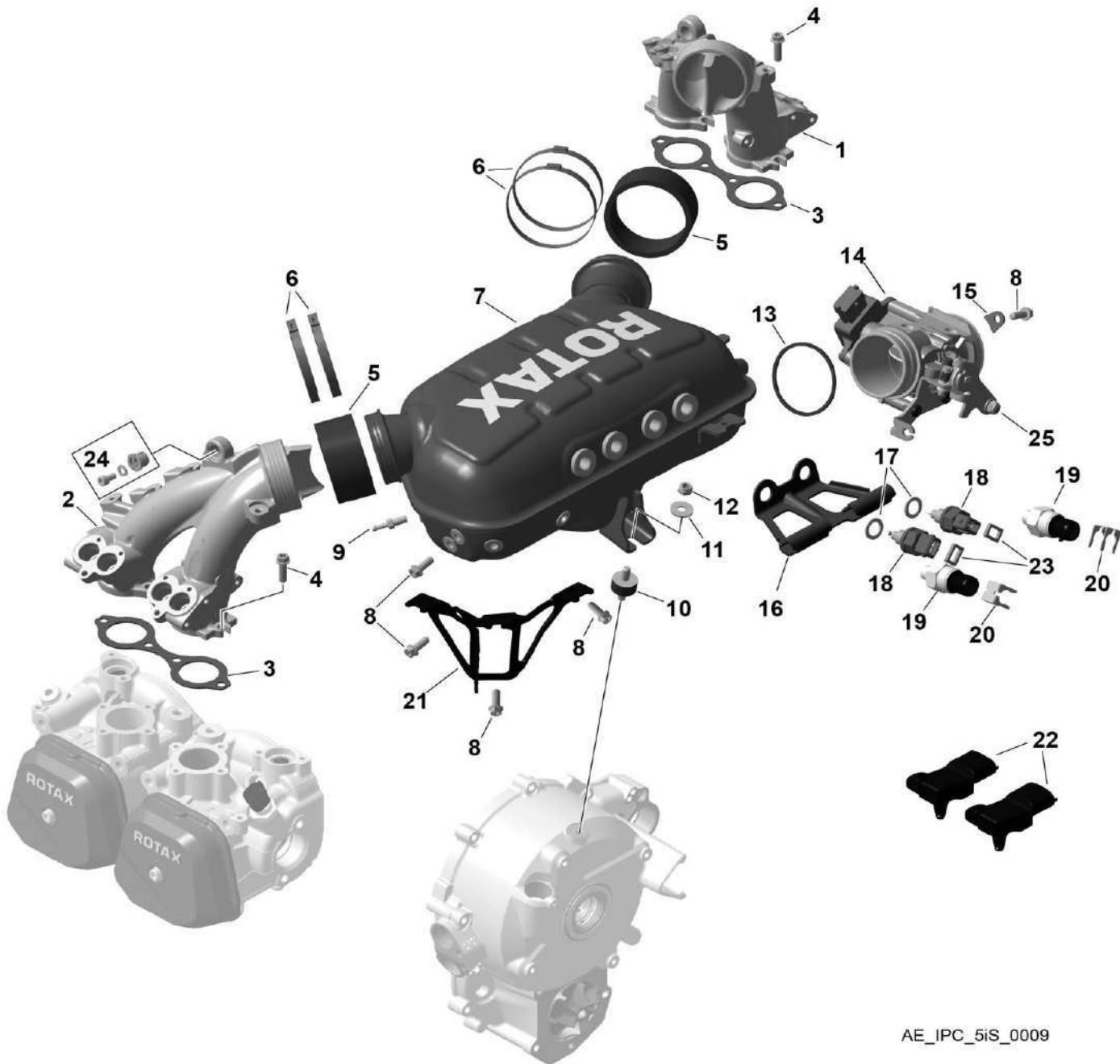
AE_IPC_5iS_0008

Chapter: 72-20-00

CAMSHAFT, VALVE TRAIN, CYLINDER HEAD, VALVE COVER

ITEM#	STATUS	PART#	DESCRIPTION	915 iSc A	915 iS A	915 iSc C24	915 iS C24
01		854099	HYDRAULIC VALVE TAPPET ASSY. only available as set	8	8	8	8
01		881832	HYDRAULIC VALVE TAPPET SET consists of 8 pcs. 854099	1	1	1	1
02		850930	O-RING -16X5-N. FPM 75 GREEN	8	8	8	8
03		924440	OIL RETURN TUBE	8	8	8	8
04		840171	STUD M8X200	8	8	8	8
05		840141	STUD M8X186	8	8	8	8
06		842476	COLLAR CAP NUT M8	8	8	8	8
07		942302	COLLAR NUT M8	8	8	8	8
08		623756	CYLINDERHEAD 2/3 ASSY.	2	2	2	2
09		623766	CYLINDERHEAD 1/4 ASSY.	2	2	2	2
10		854101	INTAKE VALVE 38 MM	4	4	4	4
11		854113	EXHAUST VALVE 32MM	4	4	4	4
12		926210	SHIM 16/27.4/1	8	8	8	8
13		230810	VALVE STEM SEAL	4	4	4	4
14		838156	VALVE SPRING	8	8	8	8
15		854188	VALVE SPRING RETAINER	8	8	8	8
16		253092	VALVE COTTER	16	16	16	16
17		854862	VALVE PUSH-ROD ASSY.	8	8	8	8
18		854387	ROCKER ARM LEFT	4	4	4	4
19		854397	ROCKER ARM RIGHT	4	4	4	4
20		933396	BUSHING	8	8	8	8
21		854193	ROCKER ARM SHAFT	4	4	4	4
22		250016	SEALING RING A12X18	3	3	3	3
23		841923	PLUG SCREW M12X1.5	3	3	3	3
24		250285	O-RING - 105X2.5	4	4	4	4
25		430205	O-RING - 6.4X1.8	4	4	4	4
26		612265	VALVE COVER SKY BLUE	4	4	4	4
26		612267	VALVE COVER BLACK black without Rotax logo optional	4	4	4	4
27		927941	WASHER 6.0/12/1	4	4	4	4
28		840887	ALLEN SCREW - M6X30	4	4	4	4
29		431570	O-RING - 10.82X1.78	8	8	8	8
30		881920	O-RING SET consists of 4 x 430205 and 4 x 250285	1	1	1	1

Chapter: 73-10-00
INTAKE MANIFOLD, AIRBOX, THROTTLE BODY SOCKET



AE_IPC_5iS_0009

Chapter: 73-10-00
INTAKE MANIFOLD, AIRBOX, THROTTLE BODY SOCKET

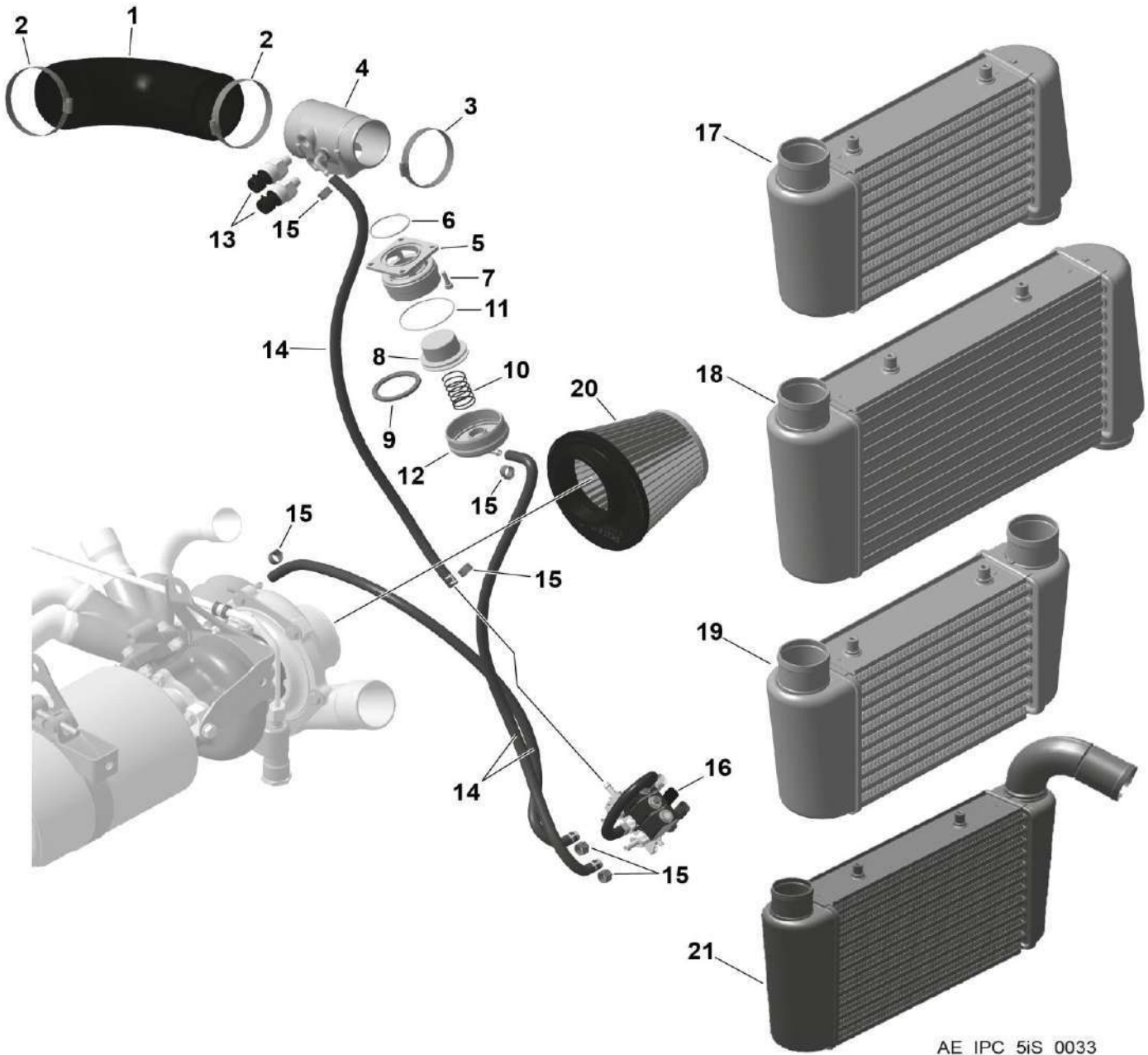
ITEM#	STATUS	PART#	DESCRIPTION	915 iSc A	915 iS A	915 iSc C24	915 iS C24
01	N	667403	INTAKE MANIFOLD 1/3	1	1	1	1
01		667401	INTAKE MANIFOLD 1/3 still valid	1	1	1	1
02	N	667408	INTAKE MANIFOLD 2/4	1	1	1	1
02		667406	INTAKE MANIFOLD 2/4 still valid	1	1	1	1
03		850091	ISOLATING FLANGE	2	2	2	2
04		440207	HEX./TORX-FLANGE SCREW M6X20-SW8/T30	8	8	8	8
05		460421	CONNECTING SOCKET	2	2	2	2
06		953093	1-EAR-CLAMP 66.3-69.5 MM	4	4	4	4
07		667418	AIRBOX 667418 has additional cable support bracket. 651942 becomes obsolete with 667418 see chapter 74-20-00	1	1	1	1
07		667419	AIRBOX without Rotax logo	1	1	1	1
08		440164	HEX./TORX-FLANGE SCREW M6X16-SW8/T30 MK	7	7	7	7
09		840672	HOSE NIPPLE M6 MK	1	1	1	1
10		860700	RUBBER 20X10XM6	1	1	1	1
11		827968	WASHER 6.4	1	1	1	1
12		842042	LOCK NUT M6	1	1	1	1
13		850020	RUBBER RING	1	1	1	1
14		685056	THROTTLE BODY SOCKET ASSY. Ill. no. 14. 25	1	1	1	1
15		953020	SEPARATING PLATE	3	3	3	3
16		651780	CONNECTOR BRACKET	1	1	1	1
17		250016	SEALING RING A12X18	2	2	2	2
18		222421	TEMPERATURE SENSOR	2	2	2	2
19		664364	PRESSURE SENSOR 2.0	2	2	2	2
20		638140	CLAMP	2	2	2	2
21		951564	CONNECTOR BRACKET	1	1	1	1
22		874654	PRESSURE-/TEMP. SENSOR Ambient pressure and temperature	2	2	2	2
23		850610	CONNECTOR GASKET	2	2	2	2
24		481485	GOVERNOR CABLE KIT non certified SI-PAC-003	1	1	1	1

Chapter: 73-10-00
INTAKE MANIFOLD, AIRBOX, THROTTLE BODY SOCKET

ITEM#	STATUS	PART#	DESCRIPTION	915 iSc A	915 iS A	915 iSc C24	915 iS C24
25		440000	FIXING SCREW ASSY. screw. nut and washers	1	1	1	1

This page intentionally left blank

Chapter: 73-10-00
INTERCOOLER, WASTEGATE



AE_IPC_5iS_0033

Chapter: 73-10-00
INTERCOOLER, WASTEGATE

ITEM#	STATUS	PART#	DESCRIPTION	915 iSc A	915 iS A	915 iSc C24	915 iS C24
01		201015	AIR INTAKE HOSE	1	1	1	1
02		951791	CLAMP 50-70	2	2	2	2
03		853381	CLAMP 40-60	4	4	4	4
04		947785	REDUCTION SLEEVE ASSY. with impulse elbow integrated	1	1	1	1
04		481540	POP OFF VALVE ASSY. - PACKAGED Ill. no. 4-12	1	1	1	1
05		812382	VALVE HOUSING	1	1	1	1
06		431740	O-RING - 38X2.4-N. VITON GLT 70	1	1	1	1
07		840514	ALLEN SCREW - M5x16	4	4	4	4
08		667196	VALVE PISTON	1	1	1	1
09		631333	LIP SEAL NA SF 50-42-4.5	1	1	1	1
10		838372	COMPRESSION SPRING DM22 D1.5 L50	1	1	1	1
11		450390	O-RING - 54X2	1	1	1	1
12		812395	VALVE COVER ASSY. with impulse elbow integrated	1	1	1	1
13		664364	PRESSURE SENSOR 2.0	2	2	2	2
14		874338	CONTROL HOSE 600 MM	3	3	3	3
14		874334	CONTROL HOSE 6X11 non certified as required in a roll	1	1	1	1
15		851468	1-EAR-CLAMP 10.3-12.8 MM	6	6	6	6
16		664639	SOLENOID VALVE	1	1	1	1
17		888962	INTERCOOLER SI-PAC-005	1	1	1	1
18		888963	INTERCOOLER non certified SI-PAC-005	1	1	1	1
19		888965	INTERCOOLER non certified SI-PAC-005	1	1	1	1
20		825900	AIR FILTER non certified SI-PAC-006	1	1	1	1

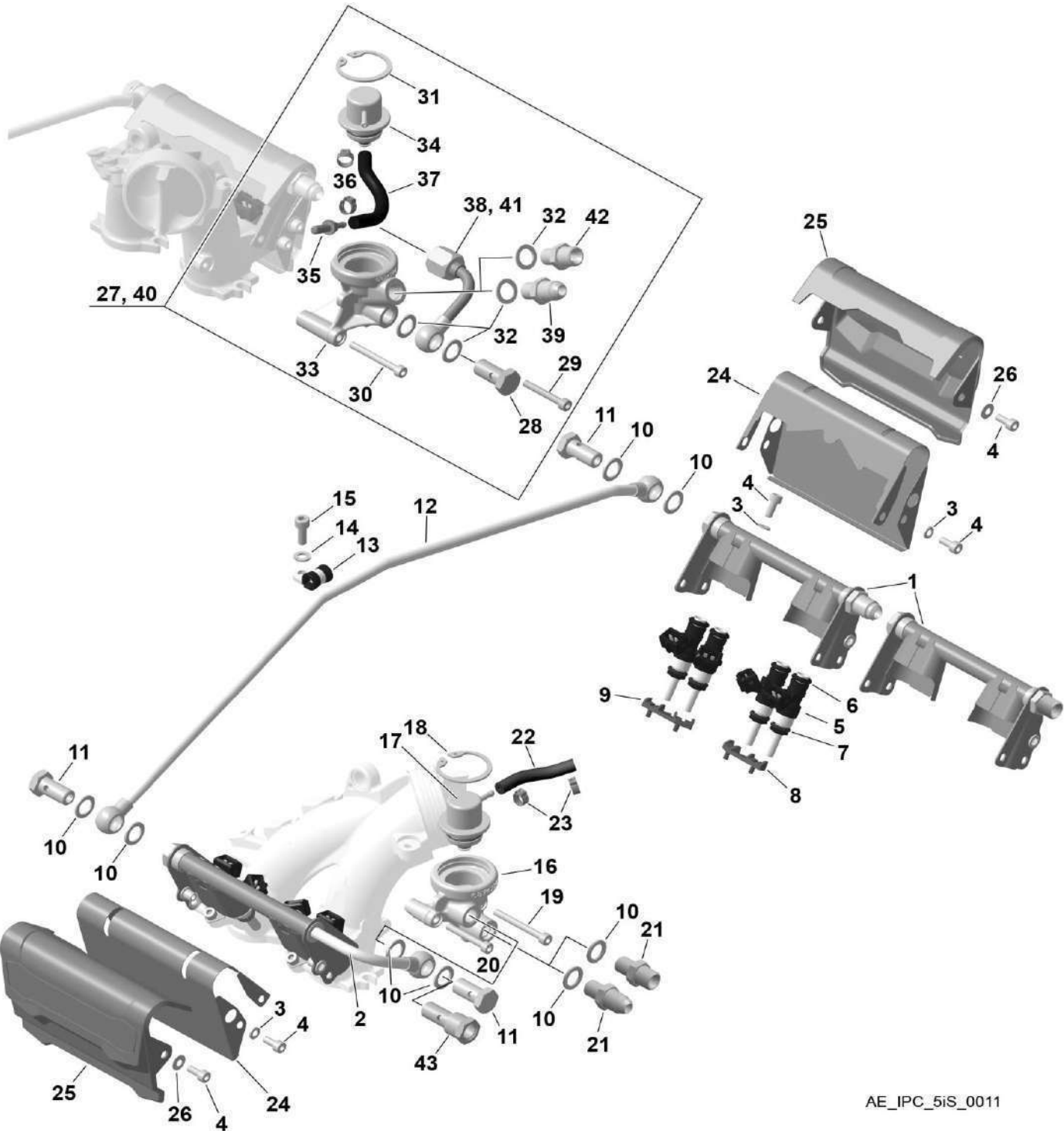
Chapter: 73-10-00
INTERCOOLER, WASTEGATE

ITEM#	STATUS	PART#	DESCRIPTION	915 iSc A	915 iS A	915 iSc C24	915 iS C24
21		888967	INTERCOOLER non certified SI-PAC-005 optional	1	1	1	1

This page intentionally left blank

Chapter: 73-10-00

FUEL INJECTOR, FUEL RAIL, PRESSURE REGULATOR, FUEL RAIL COVER



AE_IPC_5iS_0011

Chapter: 73-10-00

FUEL INJECTOR, FUEL RAIL, PRESSURE REGULATOR, FUEL RAIL COVER

ITEM#	STATUS	PART#	DESCRIPTION	915 iSc A	915 iS A	915 iSc C24	915 iS C24
01		874795	FUELRAIL 1/3 UNF Thread 9/16 18 UNF	1	1	1	1
01		874799	FUELRAIL 1/3 METRIC Thread M14x1.5	1	1	1	1
02		874797	FUELRAIL 2/4	1	1	1	1
03		945750	LOCK WASHER A5	11	11	11	11
04		640542	ALLEN SCREW - M5x12	11	11	11	11
05		874780	FUEL INJECTOR Ill. no. 5-7	8	8	8	8
06		831060	O-RING 7.52X3.51 VITON B BLACK	8	8	8	8
07		831050	O-RING 8.30X3.05 VITON B BROWN	8	8	8	8
08		860042	DAMPER LEFT	2	2	2	2
09		860040	DAMPER RIGHT	2	2	2	2
10		250646	SEALING RING - A 12X18-CU	7	7	7	7
10		250640	SEALING RING - A 12X18-CU SI-PAC-024 not available	7	7	0	0
11		641543	BANJO BOLT - 8 - 3 - V	3	3	3	3
12		874802	FUEL LINE ASSY.	1	1	1	1
13		853412	CABLE CLAMP	1	1	1	1
14		945831	LOCK WASHER - A6	1	1	1	1
15		241239	ALLEN SCREW - M6X16	1	1	1	1
16		874770	PRESSURE REGULATOR HOUSING	1	1	1	1
17		889262	FUEL PRESSURE REGULATOR ASSY.	1	1	1	1
18		845650	RETAINING RING 36X1.5	1	1	1	1
19		941792	ALLEN SCREW - M5x45	1	1	1	1
20		841502	ALLEN SCREW - M5x35	1	1	1	1
21		856821	ADAPTER M14x1.5/M12x1.5	1	1	1	1
21		840700	ADAPTER 9/16 UNF/M12x1.5	1	1	1	1
22		960631	TUBE 60 MM	1	1	1	1
23		853653	1-EAR-CLAMP 8.3-10 MM	2	2	2	2
24		975090	HEAT SHIELD	2	2	2	2
25		975068	COVERING FUELRAIL black without Rotax logo	2	2	2	2
25		975065	COVERING FUELRAIL	2	2	2	2
26		939445	SPRING WASHER 12X5.2X0.5	4	4	4	4

Chapter: 73-10-00

FUEL INJECTOR, FUEL RAIL, PRESSURE REGULATOR, FUEL RAIL COVER

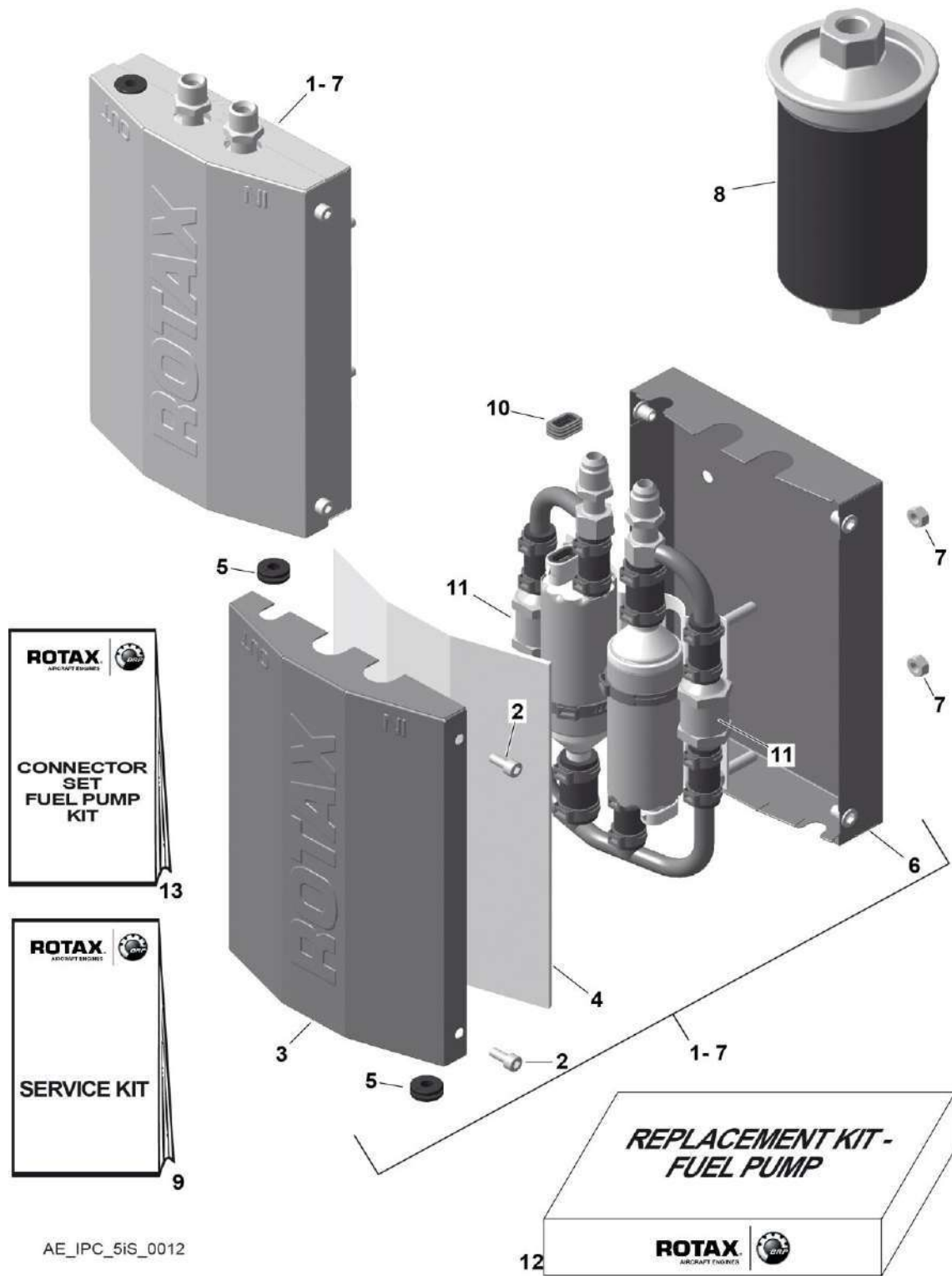
ITEM#	STATUS	PART#	DESCRIPTION	915 iSc A	915 iS A	915 iSc C24	915 iS C24
27		889275	FUEL PRESSURE DAMPER UNF - PACKAGED Ill. no. 28-39 non certified SI-PAC-020	1	1	1	1
28		641543	BANJO BOLT - 8 - 3 - V non certified	1	1	1	1
29		841502	ALLEN SCREW - M5x35 non certified	1	1	1	1
30		941792	ALLEN SCREW - M5x45 non certified	1	1	1	1
31		845650	RETAINING RING 36X1.5 non certified	1	1	1	1
32		250646	SEALING RING - A 12X18-CU non certified	3	3	3	3
33		874775	PRESSURE DAMPER HOUSING non certified	1	1	1	1
34		889262	FUEL PRESSURE REGULATOR ASSY. non certified	1	1	1	1
35		840675	HOSE NIPPLE M6 non certified	1	1	1	1
36		853653	1-EAR-CLAMP 8.3-10 MM non certified	2	2	2	2
37		960632	TUBE 100 +/-3 MM non certified	1	1	1	1
38		874875	FUEL LINE ASSY. 1/3 - UNF non certified	1	1	1	1
39		840700	ADAPTER 9/16 UNF/M12x1.5 non certified	1	1	1	1
40		889277	FUEL PRESSURE DAMPER METRIC - PACKAGED Ill. no. 28-37. 41. 42 non certified SI-PAC-020	1	1	1	1
41		874877	FUEL LINE ASSY. 1/3 - METRIC non certified	1	1	1	1
42		856821	ADAPTER M14x1.5/M12x1.5 non certified	1	1	1	1

Chapter: 73-10-00

FUEL INJECTOR, FUEL RAIL, PRESSURE REGULATOR, FUEL RAIL COVER

ITEM#	STATUS	PART#	DESCRIPTION	915 iSc A	915 iS A	915 iSc C24	915 iS C24
43		841131	SENSOR BANJO BOLT - M12X1.5 optional For connection of fuel pressure sensor with M12x1.5 SI-PAC-024	1	1	1	1

Chapter: 73-10-00
FUEL PUMP ASSY.



AE_IPC_5iS_0012

Chapter: 73-10-00
FUEL PUMP ASSY.

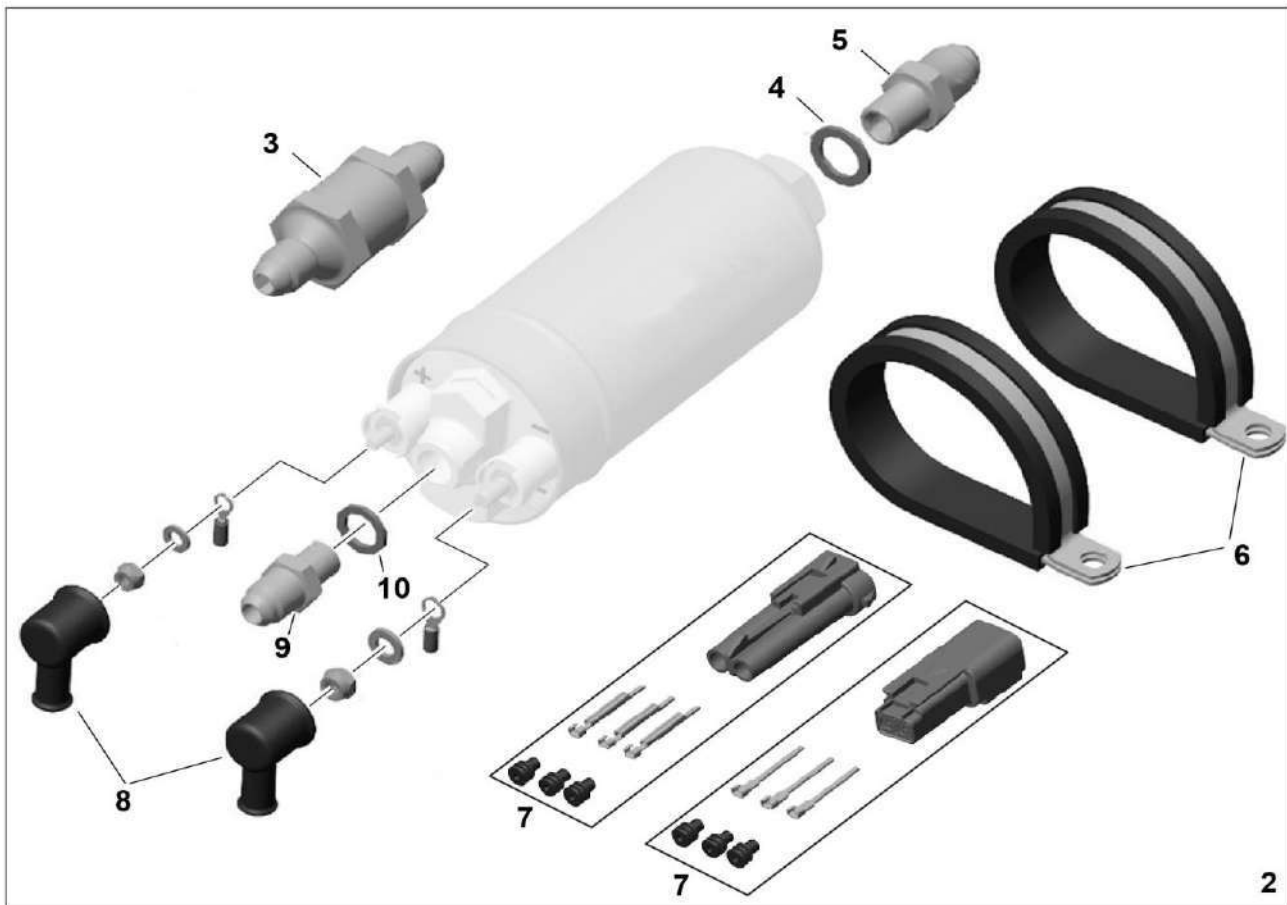
ITEM#	STATUS	PART#	DESCRIPTION	915 iSc A	915 iS A	915 iSc C24	915 iS C24
01		889699	FUEL PUMP ASSY. METRIC - PACKAGED Ill. no. 1-7. 10. 11 (889698 + packaging) non certified Thread M14x1.5 With gaskets for connectors SI-PAC-016	1	1	1	1
01		889697	FUEL PUMP ASSY. UNF - PACKAGED Ill. no. 1-7. 10. 11 (889696 + packaging) non certified Thread 9/16 18 UNF (AN-6) With gaskets for connectors SI-PAC-016	1	1	1	1
02		640542	ALLEN SCREW - M5x12 non certified SI-PAC-016	4	4	4	4
03		911790	COVER non certified SI-PAC-016	1	1	1	1
04		975055	HEAT PROTECTION MAT non certified SI-PAC-016	1	1	1	1
05		201160	RUBBER GROMMET non certified SI-PAC-016	2	2	2	2
06		911700	HOUSING non certified SI-PAC-016	1	1	1	1
07		242213	HEX.NUT M6 non certified SI-PAC-016	8	8	8	8
08		874060	FUEL FILTER non certified SI-PAC-007	1	1	1	1
09		889537	Fuel pump service kit non certified SI-PAC-008	1	1	1	1
10		850610	CONNECTOR GASKET see chapter 76-50-00	2	2	2	2

Chapter: 73-10-00
FUEL PUMP ASSY.

ITEM#	STATUS	PART#	DESCRIPTION	915 iSc A	915 iS A	915 iSc C24	915 iS C24
11		874532	CHECK VALVE SI-PAC-016	2	2	2	2
12		481378	REPLACEMENT KIT - FUEL PUMP SI-PAC-016 SI-PAC-008 For replacement of 1 pump including all clamps and hoses	2	2	2	2
13		XXX	CONNECTOR SET FUEL PUMP see chapter 76-50-00	1	1	1	1

This page intentionally left blank

Chapter: 73-10-00
FUEL PUMP ASSY.



AE_IPC_6iS_0056

Chapter: 73-10-00
FUEL PUMP ASSY.

ITEM#	STATUS	PART#	DESCRIPTION	915 iSc A	915 iS A	915 iSc C24	915 iS C24
01	N	889732	FUEL PUMP - PACKAGED (889731 + packaging) non certified SI-PAC-026	2	2	2	2
02	N	481481	PARTS KIT FUEL PUMP consists of position 3-10 non certified	2	2	0	0
02	N	481483	PARTS KIT FUEL PUMP consists of position 3-10 non certified	0	0	2	2
03	N	875018	CHECK VALVE non certified not available	1	1	1	1
04	N	250735	GASKET RING A 14X20 non certified not available	1	1	1	1
05	N	875017	CONNECTION M14X1.5-AN6 non certified not available	1	1	1	1
06	N	951590	CLAMP MS 21919 W DG 32 non certified not available	2	2	2	2
07	N	881305	CONNECTOR SET FUEL PUMP non certified not available consists of: 1 x Connector housing 3 x Flat pin terminal 3 x Cable grommet	1	1	0	0
07	N	881307	CONNECTOR SET FUEL PUMP C24 non certified not available consists of: 1 x Connector housing 3 x Flat pin terminal 1 x Wedge lock	0	0	1	1

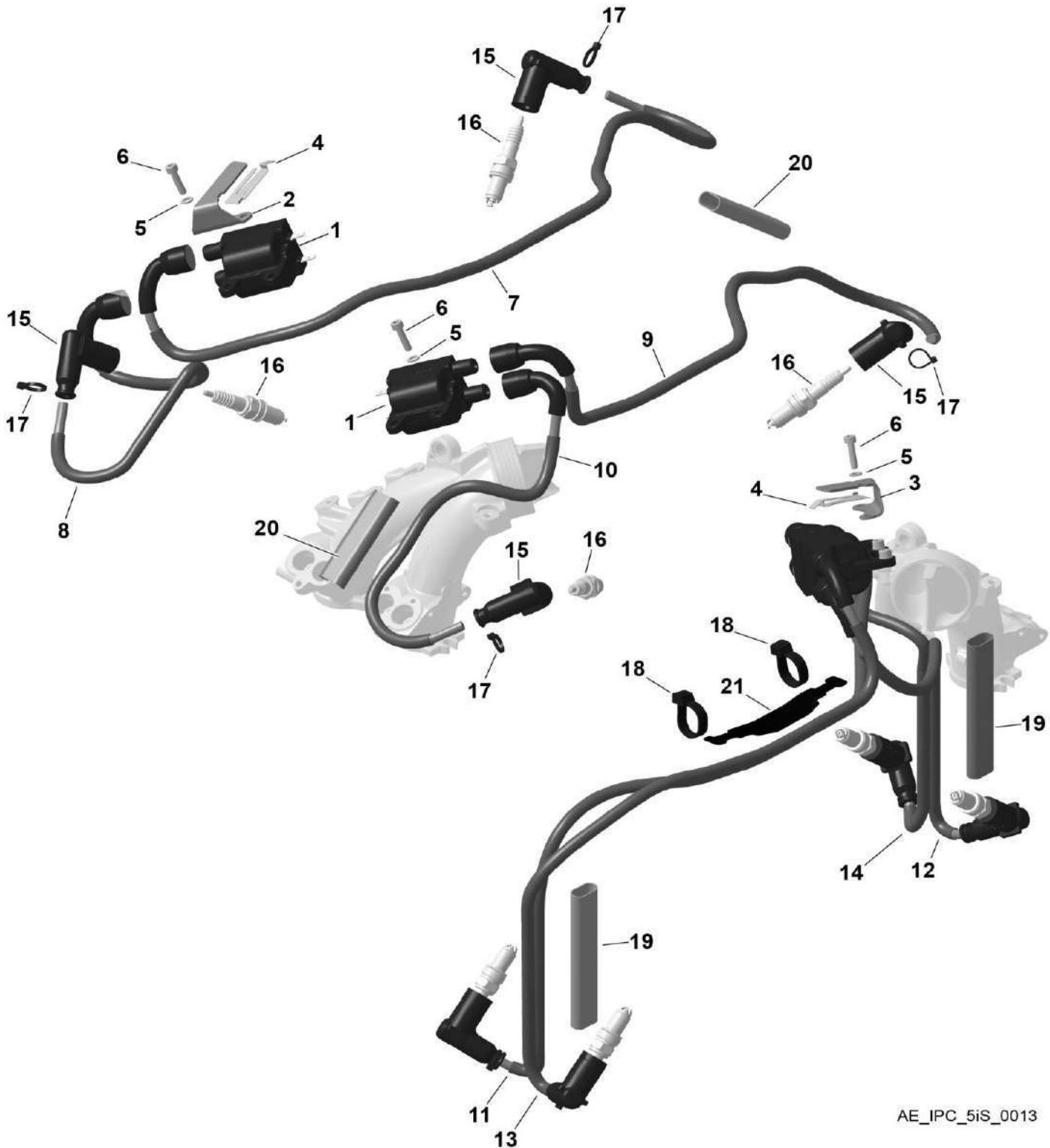
Chapter: 73-10-00
FUEL PUMP ASSY.

ITEM#	STATUS	PART#	DESCRIPTION	915 iSc A	915 iS A	915 iSc C24	915 iS C24
08	N	481471	CABLE LUG KIT FUEL PUMP non certified not available consists of: 2 x Protective cap 1 x Lock nut M4 1 x Lock nut M5 1 x Washer 4.3 1 x Washer 5.3 1 x Ring terminal M4 1 x Ring terminal M5	1	1	1	1
09	N	875016	CONNECTION M10X1-AN6 non certified not available	1	1	1	1
10	N	250425	GASKET RING 10.2/15/1.5 non certified not available	1	1	1	1

This page intentionally left blank

Chapter: 74-20-00

IGNITION COILS, IGNITION CABLE, SPARK PLUG CONNECTOR, SPARK PLUG (Faston connector)



AE_IPC_5iS_0013

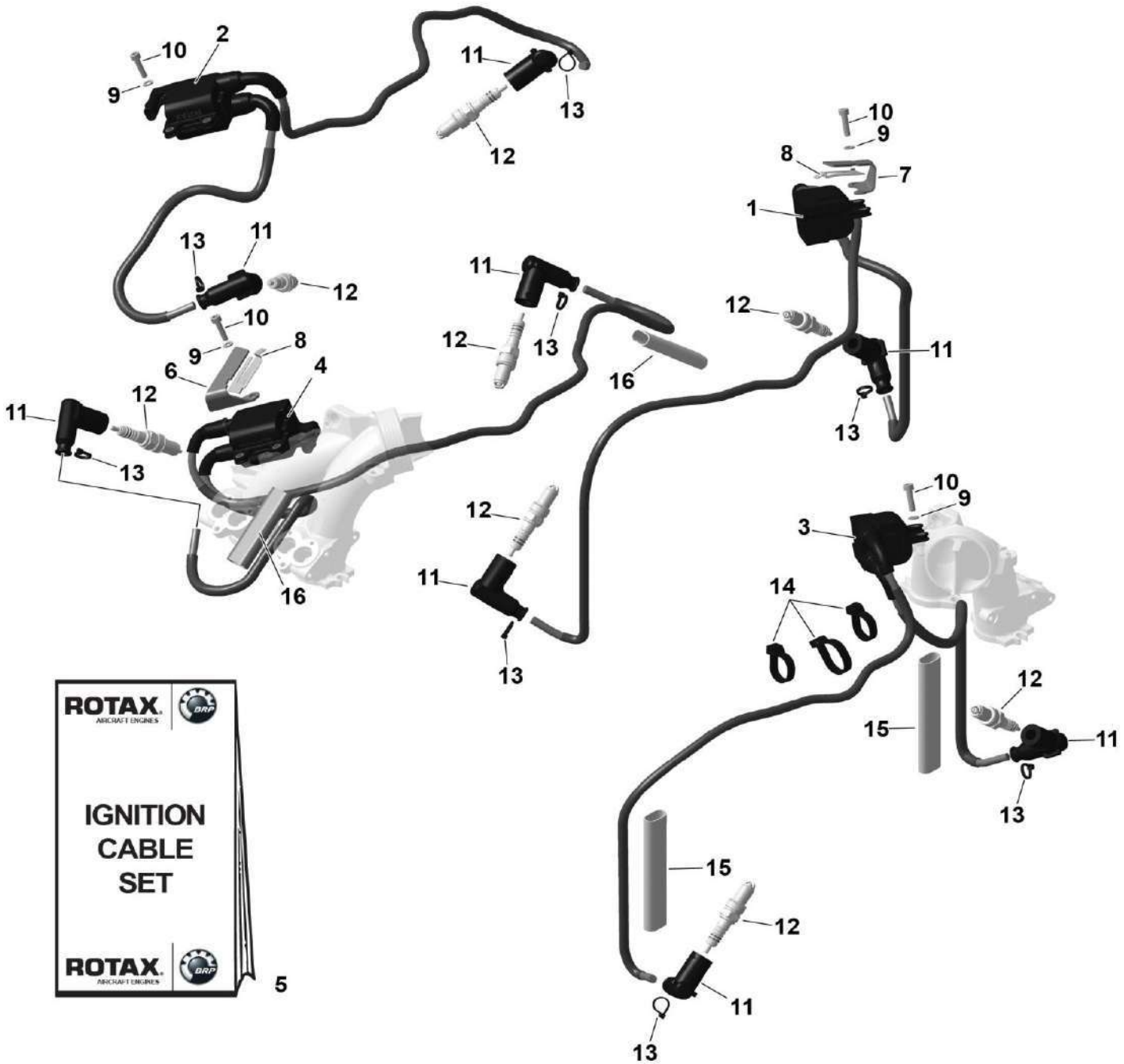
Chapter: 74-20-00

IGNITION COILS, IGNITION CABLE, SPARK PLUG CONNECTOR, SPARK PLUG (Faston connector)

ITEM#	STATUS	PART#	DESCRIPTION	915 iSc A	915 iS A	915 iSc C24	915 iS C24
01		665613	DOUBLE IGNITION COIL still valid	4	4	4	4
02		951498	CONNECTOR BRACKET	1	1	1	1
02		951497	CONNECTOR BRACKET still valid	1	1	1	1
03		951496	CONNECTOR BRACKET	1	1	1	1
04		251685	SPRING HOOK	2	2	2	2
05		945750	LOCK WASHER A5	8	8	8	8
06		441341	ALLEN SCREW M5X20	8	8	8	8
07	N	864688	IGNITION CABLE SET	1	1	1	1
07		864728	IGNITION CABLE SET Ill. no. 7-14 still valid included: 8 ignition cable assy. 8 protective cap 8 protection hose	1	1	1	1
15		265249	SPARK PLUG CONNECTOR	8	8	8	8
16		297656	SPARK PLUG 12	8	8	8	8
17		866718	TIE WRAP 94x2.5 MM	8	8	8	8
18		866716	TIE WRAP 203x7.6 MM	2	2	2	2
19		860734	GLASS FIBER-SILICON SHEATING 120	2	2	2	2
20		860736	GLASS FIBER-SILICON SHEATING 75	2	2	2	2
21		651942	PROTECTION SHIELD	1	1	1	1

Chapter: 74-20-00

IGNITION COILS, IGNITION CABLE, SPARK PLUG CONNECTOR, SPARK PLUG (Tyco connector)



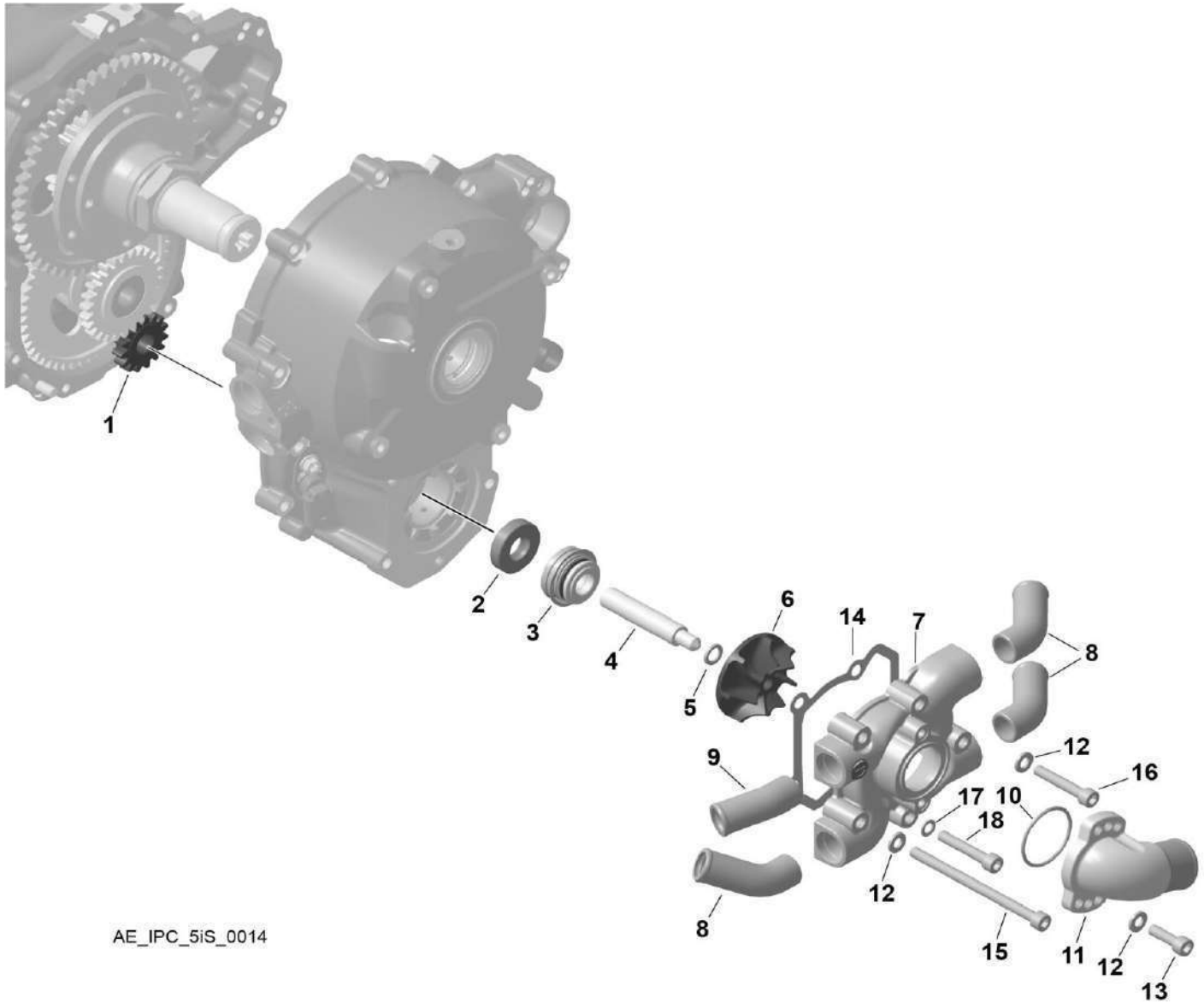
AE_IPC_5iS_0053

Chapter: 74-20-00

IGNITION COILS, IGNITION CABLE, SPARK PLUG CONNECTOR, SPARK PLUG (Tyco connector)

ITEM#	STATUS	PART#	DESCRIPTION	915 iSc A	915 iS A	915 iSc C24	915 iS C24
01		864660	DOUBLE IGNITION COIL 1 ASSY. with TYCO connector. including double ignition coil. 2 ignition cables. 2 protective caps and 2 protection hoses	1	1	1	1
02		864661	DOUBLE IGNITION COIL 2 ASSY. with TYCO connector. including double ignition coil. 2 ignition cables. 2 protective caps and 2 protection hoses	1	1	1	1
03		864662	DOUBLE IGNITION COIL 3 ASSY. with TYCO connector. including double ignition coil. 2 ignition cables. 2 protective caps and 2 protection hoses	1	1	1	1
04		864663	DOUBLE IGNITION COIL 4 ASSY. with TYCO connector. including double ignition coil. 2 ignition cables. 2 protective caps and 2 protection hoses	1	1	1	1
05		864688	IGNITION CABLE SET included: 8 ignition cable assy. 8 protective cap 8 protection hoses	1	1	1	1
06		951498	CONNECTOR BRACKET	1	1	1	1
07		951496	CONNECTOR BRACKET	1	1	1	1
08		251685	SPRING HOOK	2	2	2	2
09		945750	LOCK WASHER A5	8	8	8	8
10		441341	ALLEN SCREW M5X20	8	8	8	8
11		265249	SPARK PLUG CONNECTOR	8	8	8	8
12		297656	SPARK PLUG 12	8	8	8	8
13		866718	TIE WRAP 94x2.5 MM	8	8	8	8
14		866716	TIE WRAP 203x7.6 MM	3	3	3	3
15		860734	GLASS FIBER-SILICON SHEATING 120	2	2	2	2
16		860736	GLASS FIBER-SILICON SHEATING 75	2	2	2	2

Chapter: 75-20-00
WATER PUMP WITH DRIVE

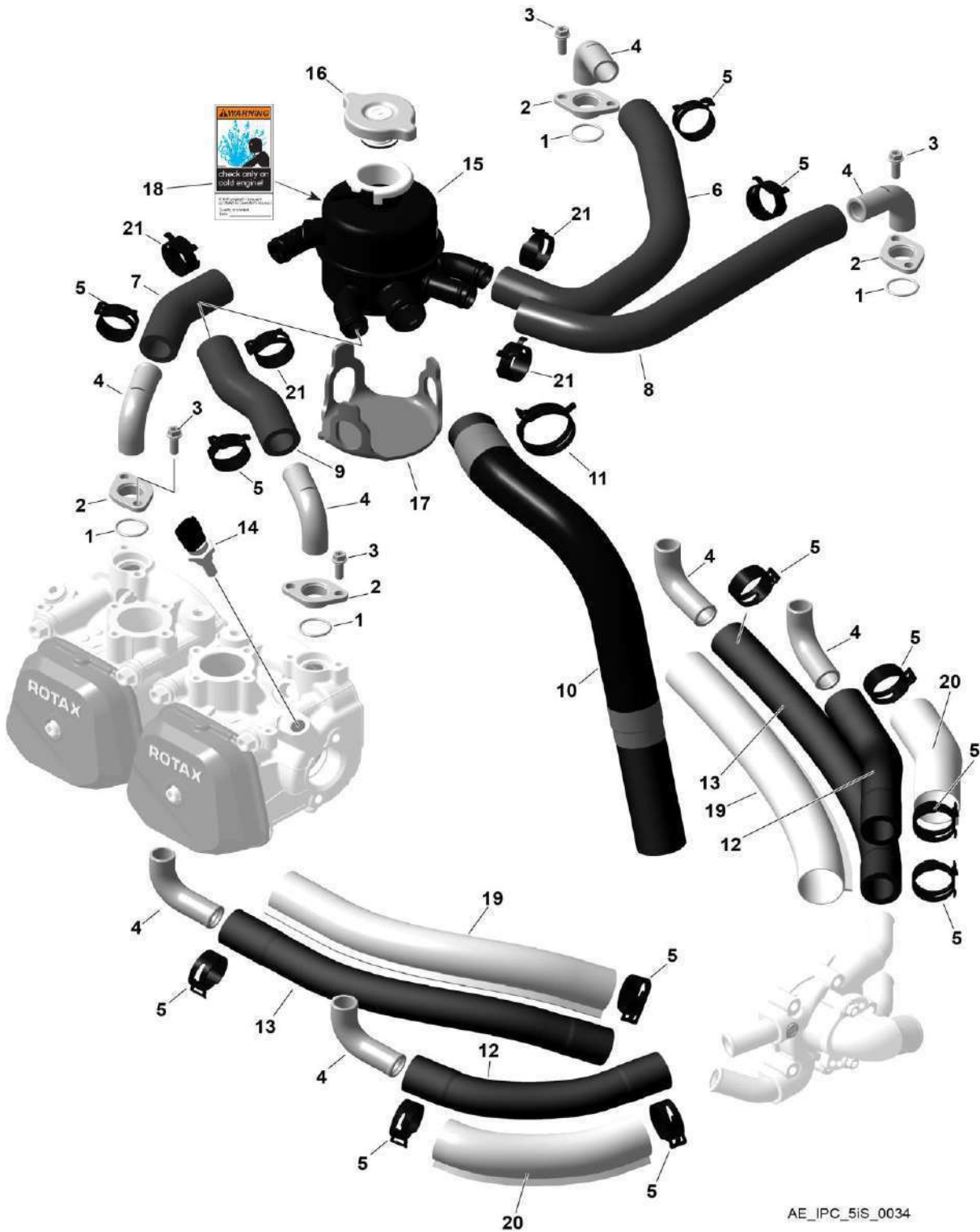


AE_IPC_5iS_0014

Chapter: 75-20-00
WATER PUMP WITH DRIVE

ITEM#	STATUS	PART#	DESCRIPTION	915 iSc A	915 iS A	915 iSc C24	915 iS C24
01		834136	WATER PUMP GEAR 15 T	1	1	1	1
02		850978	OIL SEAL BAUM1X7 12X30X7 FPM	1	1	1	1
03		850946	ROTARY SEAL	1	1	1	1
04		837112	PUMP SHAFT	1	1	1	1
05		926274	WASHER 8.2/12.5/1.5	1	1	1	1
06		922224	IMPELLER	1	1	1	1
07		922202	WATER PUMP HOUSING	1	1	1	1
08		922238	BENT SOCKET 45 DEGREES	3	3	3	3
09		922239	BENT SOCKET 20 DEGREES	1	1	1	1
10		230020	O-RING - 32X2	1	1	1	1
11		922218	WATER INLET ELBOW	1	1	1	1
12		827962	WASHER - A 6.4 - St	6	6	6	6
13		241935	ALLEN SCREW - M6x20	2	2	2	2
14	N	850983	GASKET	1	1	1	1
14		850981	GASKET still valid	1	1	1	1
15		241482	ALLEN SCREW - M6x90	2	2	2	2
16		241814	ALLEN SCREW - M6X35	2	2	2	2
17		230415	SEALING RING A 6X10	1	1	1	1
18		241813	ALLEN SCREW M6X35. STAINLESS	1	1	1	1

Chapter: 75-20-00
EXPANSION TANK WITH HOSES AND CONNECTIONS



Chapter: 75-20-00
EXPANSION TANK WITH HOSES AND CONNECTIONS

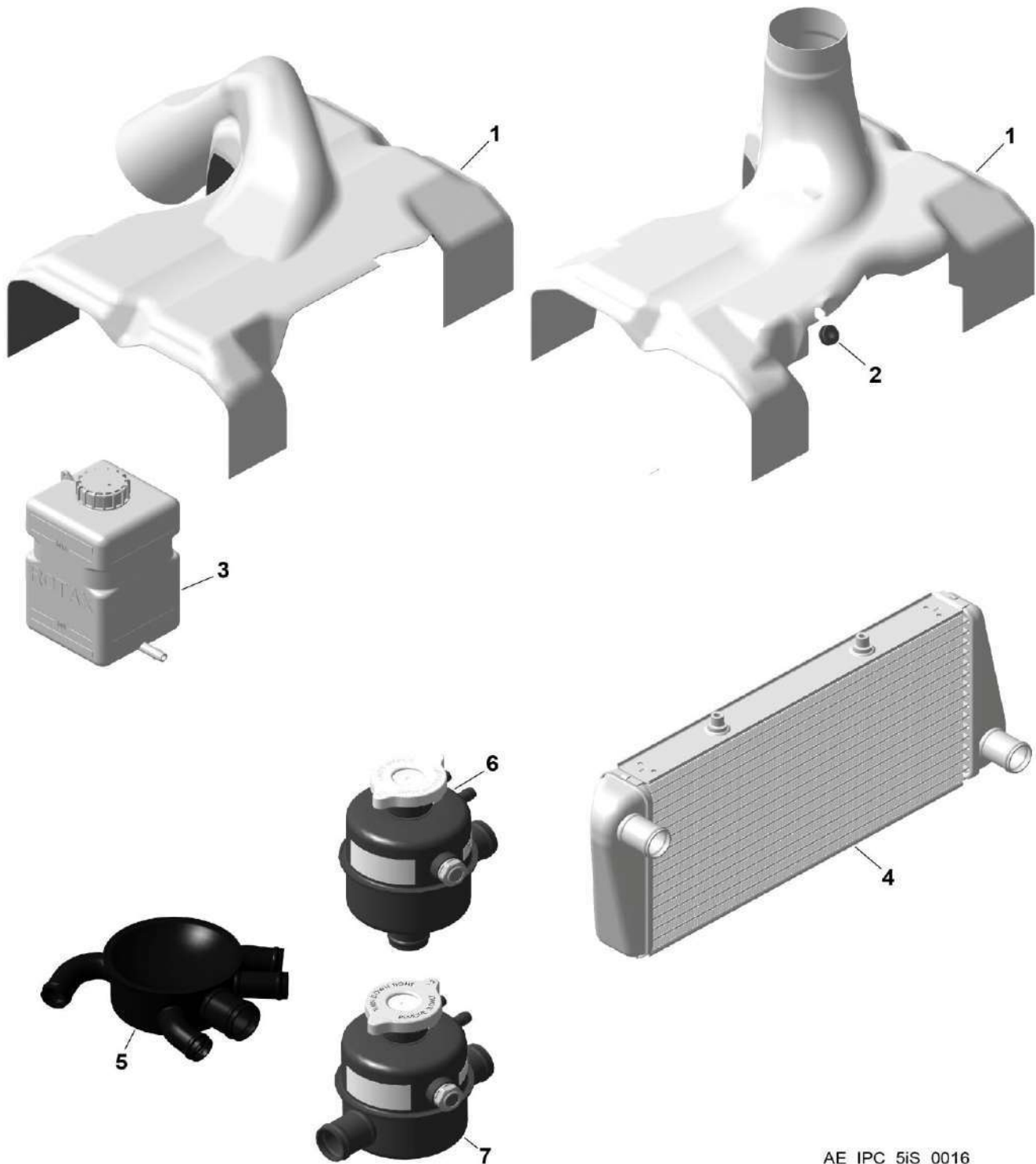
ITEM#	STATUS	PART#	DESCRIPTION	915 iSc A	915 iS A	915 iSc C24	915 iS C24
01		950180	O-RING - 19X2-N. MVQ 60	4	4	4	4
02		922303	FLANGE	4	4	4	4
03		440162	HEX./TORX-FLANGE SCREW M6X16-SW8/T30	8	8	8	8
04		922236	BENT SOCKET 80 DEGREES	8	8	8	8
05		851645	SELF COMPENSATING CLAMP 25 For silicone hoses use part no. 851641 on expansion tank side	12	12	12	12
05		851645	SELF COMPENSATING CLAMP 25 For standard rubber hoses	16	16	16	16
06		822420	FORM HOSE 1 Standard EPDM. change every 5 years	1	1	1	1
06		822423	FORM HOSE 1 Silicone	1	1	1	1
07		822430	FORM HOSE 2 Standard EPDM. change every 5 years	1	1	1	1
07		822433	FORM HOSE 2 Silicone	1	1	1	1
08		822443	FORM HOSE CYL.3 Silicone	1	1	1	1
08		822440	FORM HOSE 3 Standard EPDM. change every 5 years	1	1	1	1
09		822445	FORM HOSE 4 Standard EPDM. change every 5 years	1	1	1	1
09		822448	FORM HOSE 4 Silicone	1	1	1	1
10		822450	FORM HOSE Standard EPDM. change every 5 years	1	1	1	1
10		822454	FORM HOSE 378 MM Silicone	1	1	1	1
11		951350	SELF COMPENSATING CLAMP 35	1	1	1	1
12		922360	WATER TUBE 180 +/-3 MM Standard EPDM. change every 5 years	2	2	2	2
12		922368	WATER TUBE 180 +/-3 MM Silicone	2	2	2	2
13		922369	WATER TUBE 280 +/-3 MM Silicone	2	2	2	2
13		922362	WATER TUBE 280 +/-3 MM Standard EPDM. change every 5 years	2	2	2	2
14		965537	TEMPERATURE SENSOR	1	1	1	1

Chapter: 75-20-00
EXPANSION TANK WITH HOSES AND CONNECTIONS

ITEM#	STATUS	PART#	DESCRIPTION	915 iSc A	915 iS A	915 iSc C24	915 iS C24
15		922668	EXPANSION TANK ASSY. Ill. no. 15-18	1	1	1	1
16		922072	RADIATOR CAP WITH GASKET 1.2 BAR	1	1	1	1
17		860828	RUBBER PLATE	1	1	1	1
18		897506	WARNING LABEL	2	2	2	2
19		860650	PROTECTION TUBE (HEAT RESISTANT) as required not with Form 1 available in a roll	1	1	1	1
19		860651	PROTECTION TUBE HEAT RESISTANT 230 MM	1	1	1	1
20		860650	PROTECTION TUBE (HEAT RESISTANT) as required not with Form 1 available in a roll	1	1	1	1
20		860654	PROTECTION TUBE HEAT RESISTANT 140 MM	1	1	1	1
21	N	851641	SELF COMPENSATING CLAMP 26 For silicone hoses use part no. 851641 on expansion tank side	4	4	4	4

This page intentionally left blank

Chapter: 75-20-00
COOLING AIR BAFFLE



AE_IPC_5iS_0016

Chapter: 75-20-00
COOLING AIR BAFFLE

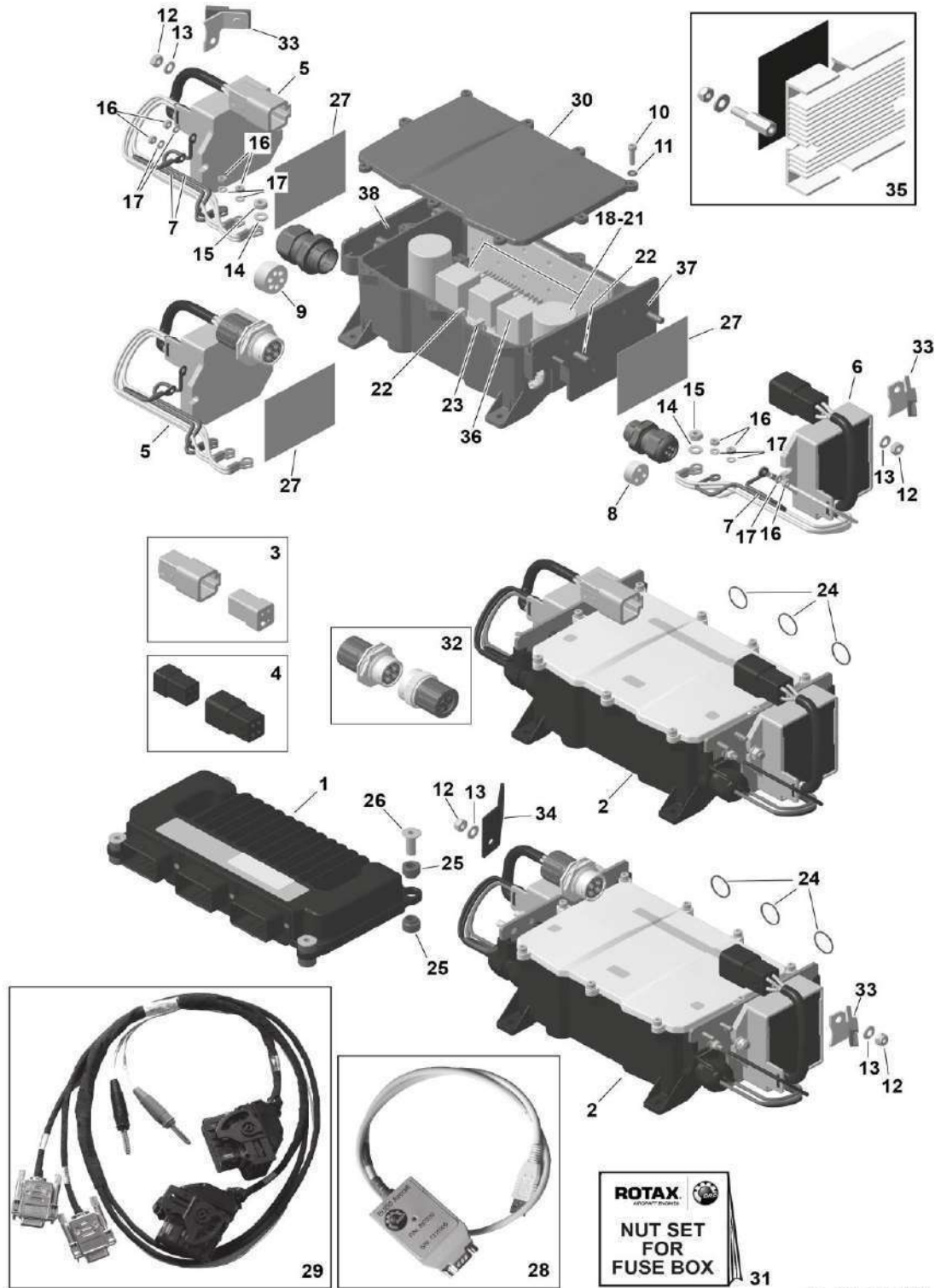
ITEM#	STATUS	PART#	DESCRIPTION	915 iSc A	915 iS A	915 iSc C24	915 iS C24
01		975792	COOLING AIR BAFFLE Ill. no. 1-2 pusher white. not applicable with vacuum pump not available non certified optional	1	1	1	1
01		975794	COOLING AIR BAFFLE tractor black. not applicable with vacuum pump optional	1	1	1	1
01		975798	COOLING AIR BAFFLE Ill. no. 1-2 pusher black. not applicable with vacuum pump non certified	1	1	1	1
01		975793	COOLING AIR BAFFLE tractor white. not applicable with vacuum pump optional	1	1	1	1
02		201160	RUBBER GROMMET optional	1	1	1	1
03		922327	OVERFLOW BOTTLE WITH CAP SI-PAC-009 optional	1	1	1	1
04		997086	RADIATOR non certified SI-PAC-010 optional	1	1	1	1
05		922582	WATER DISTRIBUTOR ASSY. non certified SI-PAC-022 if water radiator is installed higher than expansion tank	1	1	1	1
06		622052	EXPANSION TANK 90 DEGREE non certified SI-PAC-022 if water radiator is installed higher than expansion tank	1	1	1	1

Chapter: 75-20-00
COOLING AIR BAFFLE

ITEM#	STATUS	PART#	DESCRIPTION	915 iSc A	915 iS A	915 iSc C24	915 iS C24
07		622053	EXPANSION TANK 180 DEGREE non certified SI-PAC-022 if water radiator is installed higher than expansion tank	1	1	1	1

This page intentionally left blank

Chapter: 76-10-00
ENGINE CONTROL UNIT, FUSE BOX, REGULATOR
915 iSc A, 915 iS A



AE_IPC_5iS_0046

Chapter: 76-10-00
ENGINE CONTROL UNIT, FUSE BOX, REGULATOR
915 iSc A, 915 iS A

ITEM#	STATUS	PART#	DESCRIPTION	915 iSc A	915 iS A	915 iSc C24	915 iS C24
01		881257	ENGINE CONTROL UNIT ASSY. PACKAGED (864357 + packaging) SI-915i-004 SI-915i-007	1	1	0	0
01		881254	ENGINE CONTROL UNIT ASSY. PACKAGED (864353 + packaging) SI-915i-004 not available	1	1	0	0
02		881325	FUSE BOX PACKAGED Ill. no. 2. 31 (665648 + packaging) Amphenol connector	1	1	0	0
02		881321	FUSE BOX PACKAGED Ill. no. 2. 31 not available (665646 + packaging)	1	1	0	0
03		866422	CONNECTOR SET GREY Connector set consists of all parts for regulator and stator side. DEUTSCH connector	1	1	0	0
04		866420	CONNECTOR SET BLACK Connector set consists of all parts for regulator and stator side. DEUTSCH connector	1	1	0	0
05		864397	REGULATOR WITH AMPHENOL CONNECTOR	1	1	0	0
05		864395	REGULATOR B WITH CONNECTOR GREY	1	1	0	0
06		864392	REGULATOR A WITH CONNECTOR BLACK	1	1	0	0
07		866440	MASS CABLE ASSY.	3	3	0	0
08		201370	SKINTOP CLICK 20	1	1	0	0
09		201375	SKINTOP CLICK 25	1	1	0	0
10		840763	ALLEN SCREW - M4X16	9	9	0	0
11		827230	PLASTIC WASHER M4	9	9	0	0
12		842044	LOCK NUT - M6	4	4	0	0
13		244213	WASHER 6.4	2	2	0	0
14		927573	WASHER 5.3	2	2	0	0
15		842033	LOCK NUT - M5	2	2	0	0
16		242538	LOCK NUT - M4	6	6	0	0
17		244078	WASHER 4.3	6	6	0	0
18		866450	MINI-FUSE 2A	2	2	0	0

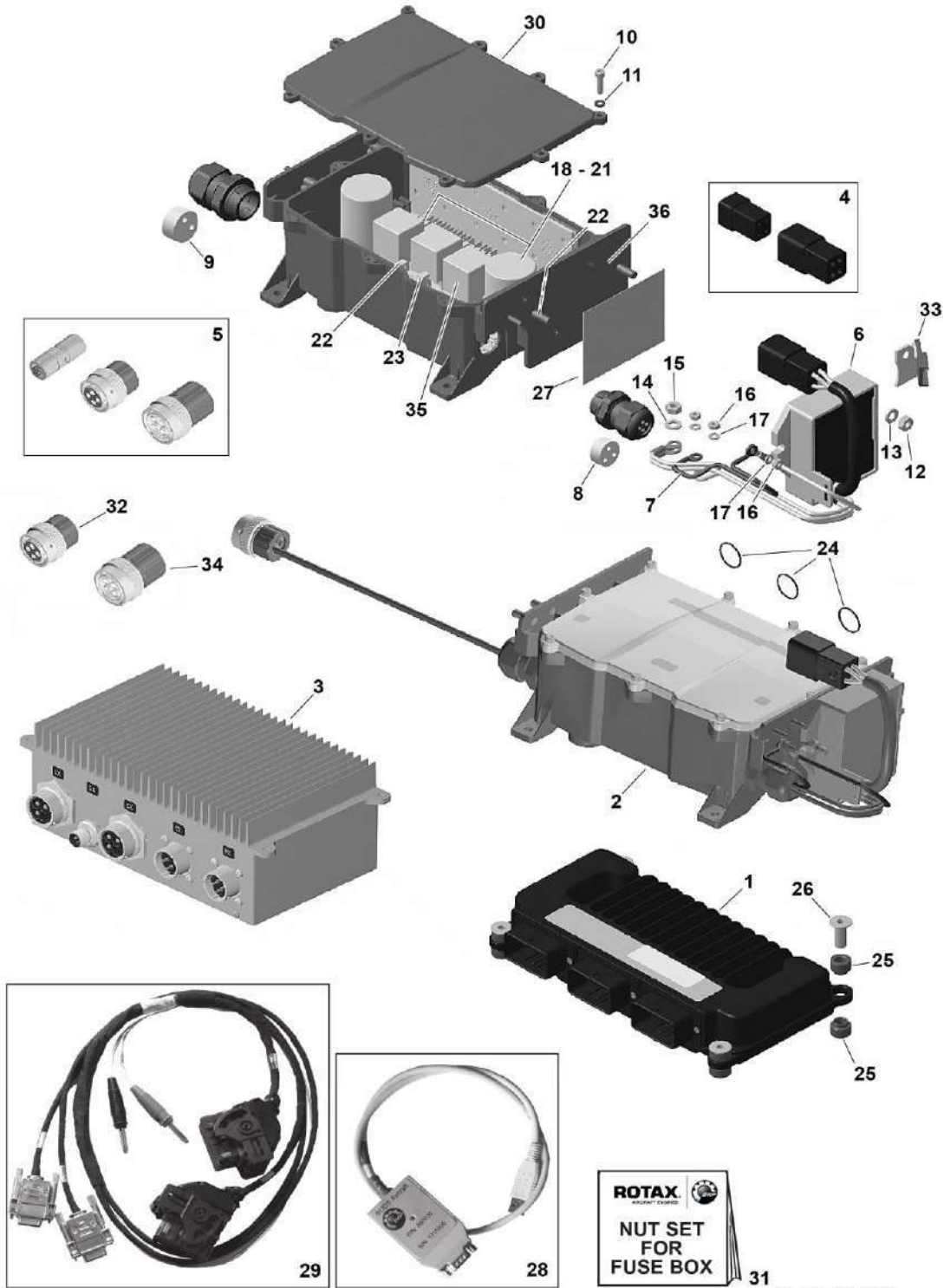
Chapter: 76-10-00
ENGINE CONTROL UNIT, FUSE BOX, REGULATOR
915 iSc A, 915 iS A

ITEM#	STATUS	PART#	DESCRIPTION	915 iSc A	915 iS A	915 iSc C24	915 iS C24
19		866452	MINI-FUSE 5A	11	11	0	0
20		866454	MINI-FUSE 7.5A	2	2	0	0
21		866456	MINI-FUSE 10A	7	7	0	0
22		866490	ATO-FUSE 20A	1	1	0	0
23		866492	ATO-FUSE 35A	1	1	0	0
24		931110	SEALING RING	3	3	0	0
25		201460	RUBBER SLEEVE	8	8	0	0
26		947540	SPACER	4	4	0	0
27		282870	HEAT TRANSFER PAD 65x80x0.5MM	2	2	0	0
28		864022	B.U.D.S. SET LEVEL 2 for maintenance personnel see chapter 00-00-00 SI-915i-002 non certified	1	1	0	0
28		864021	B.U.D.S. SET LEVEL 1 for pilots/user see chapter 00-00-00 SI-915i-002 non certified	1	1	0	0
28		864023	B.U.D.S. SET LEVEL 3 for distributors/OEM see chapter 00-00-00 SI-915i-002 non certified	1	1	0	0
29		864280	SERVICE WIRING HARNESS ASSY. see chapter 00-00-00 non certified	1	1	0	0
30		201690	COVER. FUSE BOX	1	1	0	0
31		244214	WASHER 6.4	3	3	0	0
31		244078	WASHER 4.3	6	6	0	0
31		242539	LOCK NUT - M4	6	6	0	0
31		842044	LOCK NUT - M6	3	3	0	0
31		881555	NUT SET FUSE BOX	1	1	0	0
32		481510	CONNECTOR SET STATOR GEN B Consists of all parts for regulator and stator side. Amphenol connector	1	1	0	0
33		951983	CONNECTOR BRACKET ASSY. non certified SI-PAC-011	2	2	0	0

Chapter: 76-10-00
ENGINE CONTROL UNIT, FUSE BOX, REGULATOR
915 iSc A, 915 iS A

ITEM#	STATUS	PART#	DESCRIPTION	915 iSc A	915 iS A	915 iSc C24	915 iS C24
34		951981	CONNECTOR BRACKET non certified Amphenol connector SI-PAC-011	1	1	0	0
35		481490	HEAT SINK SET non certified Regulator B. for better cooling SI-PAC-019 optional	1	1	0	0
36		866150	SWITCH RELAY 12V DC	3	3	0	0
37		651970	SUPPORT PLATE REG.A	1	1	0	0
38		651975	SUPPORT PLATE REG.B	1	1	0	0

Chapter: 76-10-00
ENGINE CONTROL UNIT, FUSE BOX, REGULATOR
915 iSc C24, 915 iS C24



AE_IPC_5iS_0035

Chapter: 76-10-00
ENGINE CONTROL UNIT, FUSE BOX, REGULATOR
915 iSc C24, 915 iS C24

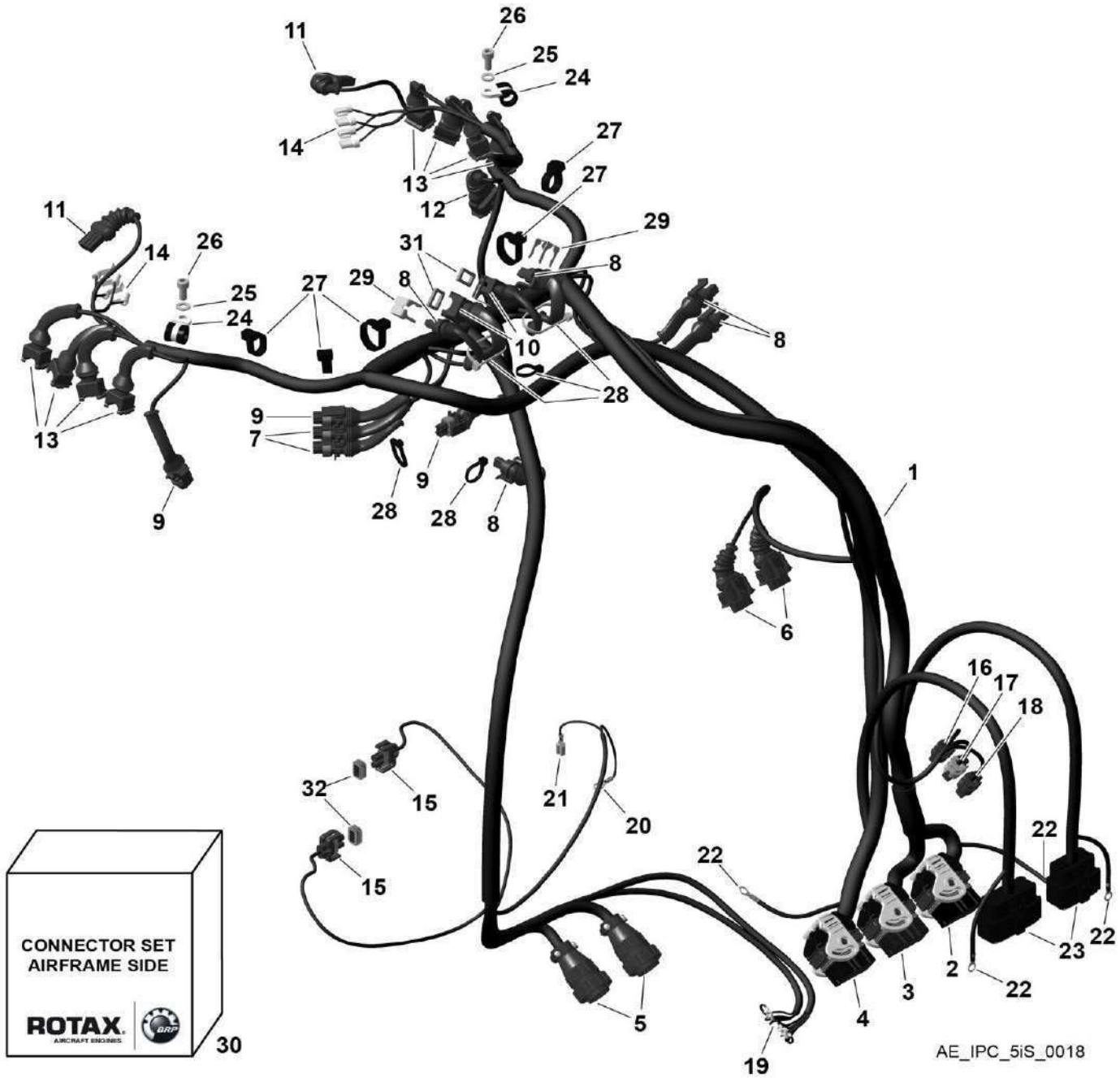
ITEM#	STATUS	PART#	DESCRIPTION	915 iSc A	915 iS A	915 iSc C24	915 iS C24
01		881257	ENGINE CONTROL UNIT ASSY. PACKAGED (864357 + packaging) see latest version of SI-915i-004	0	0	1	1
02		881328	FUSE BOX PACKAGED (665651 + packaging)	0	0	1	1
03		864500	28V AC-DC CONVERTER ASSY.	0	0	1	1
04		866420	CONNECTOR SET BLACK Connector set consists of all parts for regulator and stator side. DEUTSCH connector	0	0	1	1
05		481560	CONNECTOR SET AC-DC CONVERTER non certified	0	0	1	1
05		864593	CONNECTOR ASSY. AMPHENOL non certified	0	0	1	1
05		864670	CONNECTOR ASSY. M12 PHOENIX 1422852 non certified	0	0	1	1
05		864653	CONNECTOR ASSY. AMPHENOL non certified	0	0	1	1
06		864392	REGULATOR A WITH CONNECTOR BLACK	0	0	1	1
07		866440	MASS CABLE ASSY.	0	0	1	1
08		201370	SKINTOP CLICK 20	0	0	1	1
09		201375	SKINTOP CLICK 25	0	0	1	1
10		840763	ALLEN SCREW - M4X16	0	0	9	9
11		827230	PLASTIC WASHER M4	0	0	9	9
12		842044	LOCK NUT - M6	0	0	4	4
13		244213	WASHER 6.4	0	0	2	2
14		927573	WASHER 5.3	0	0	2	2
15		842033	LOCK NUT - M5	0	0	2	2
16		242538	LOCK NUT - M4	0	0	6	6
17		244078	WASHER 4.3	0	0	6	6
18		866450	MINI-FUSE 2A	0	0	2	2
19		866452	MINI-FUSE 5A	0	0	11	11
20		866454	MINI-FUSE 7.5A	0	0	2	2
21		866456	MINI-FUSE 10A	0	0	7	7
22		866490	ATO-FUSE 20A	0	0	1	1
23		866492	ATO-FUSE 35A	0	0	1	1
24		931110	SEALING RING	0	0	3	3
25		201460	RUBBER SLEEVE	0	0	8	8

Chapter: 76-10-00
ENGINE CONTROL UNIT, FUSE BOX, REGULATOR
915 iSc C24, 915 iS C24

ITEM#	STATUS	PART#	DESCRIPTION	915 iSc A	915 iS A	915 iSc C24	915 iS C24
26		947540	SPACER	0	0	4	4
27		282870	HEAT TRANSFER PAD 65x80x0.5MM	0	0	2	2
28		864023	B.U.D.S. SET LEVEL 3 for distributors/OEM see chapter 00-00-00 SI-915i-002 non certified	0	0	1	1
28		864022	B.U.D.S. SET LEVEL 2 for maintenance personnel see chapter 00-00-00 SI-915i-002 non certified	0	0	1	1
28		864021	B.U.D.S. SET LEVEL 1 for pilots/user see chapter 00-00-00 SI-915i-002 non certified	0	0	1	1
29		864280	SERVICE WIRING HARNESS ASSY. see chapter 00-00-00 non certified	0	0	1	1
30		201690	COVER. FUSE BOX	0	0	1	1
31		842044	LOCK NUT - M6	0	0	3	3
31		881555	NUT SET FUSE BOX	0	0	1	1
31		244214	WASHER 6.4	0	0	3	3
31		242539	LOCK NUT - M4	0	0	6	6
31		244078	WASHER 4.3	0	0	6	6
32		481510	CONNECTOR SET STATOR GEN B Consists of all parts for regulator and stator side. Amphenol connector	0	0	1	0
32		864592	CONNECTOR ASSY. AMPHENOL	0	0	1	0
32		864652	CONNECTOR ASSY. AMPHENOL	0	0	1	1
33		951983	CONNECTOR BRACKET ASSY. SI-PAC-011	0	0	2	2
34		864592	CONNECTOR ASSY. AMPHENOL	0	0	0	1
35		866150	SWITCH RELAY 12V DC	0	0	0	3
36		651970	SUPPORT PLATE REG.A	0	0	1	1

This page intentionally left blank

Chapter: 76-50-00
WIRING HARNESS (Faston connectors ignition coil)
915 iSc A, 915 iS A



Chapter: 76-50-00
WIRING HARNESS (Faston connectors ignition coil)
915 iSc A, 915 iS A

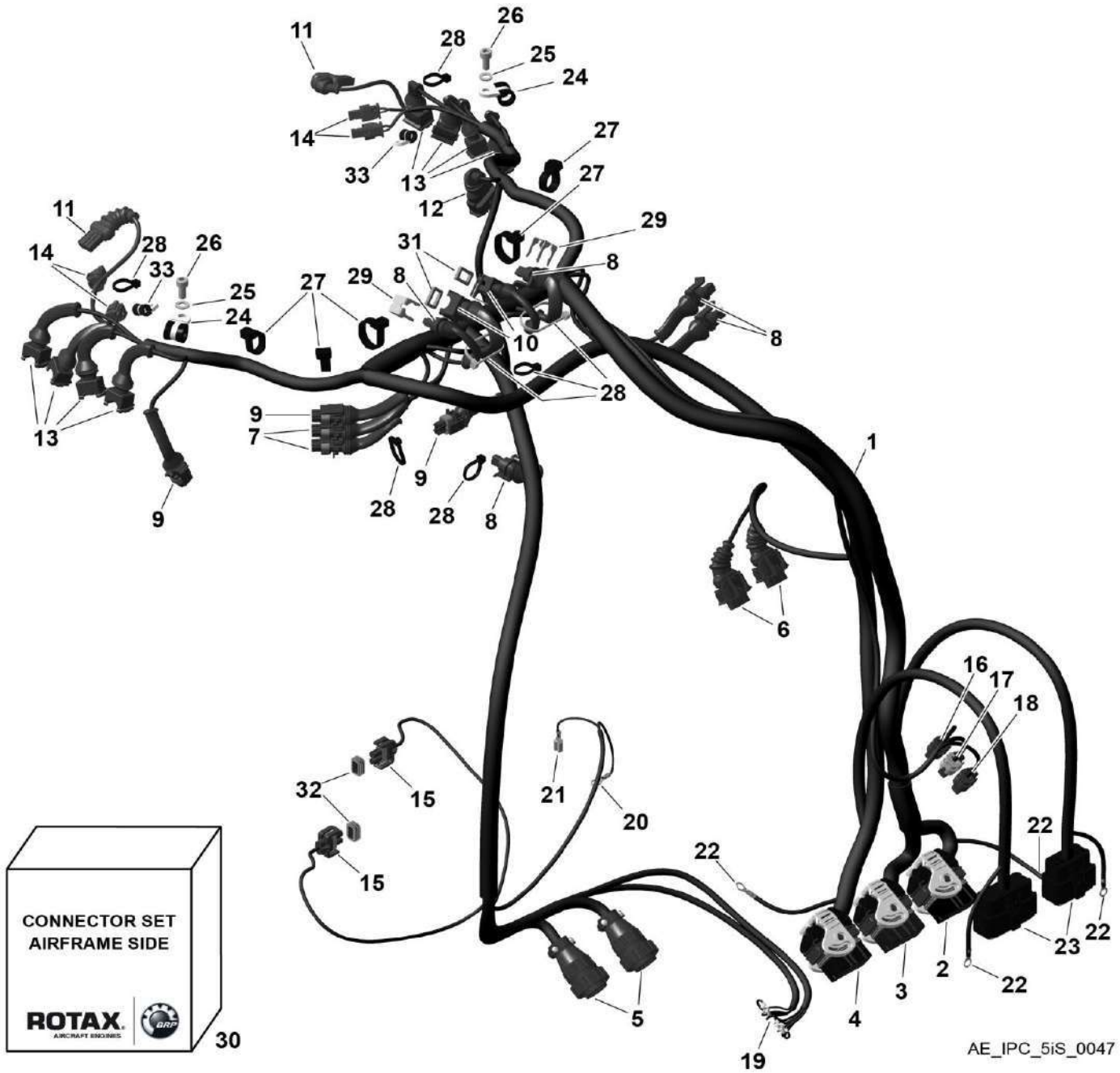
ITEM#	STATUS	PART#	DESCRIPTION	915 iSc A	915 iS A	915 iSc C24	915 iS C24
01		665586	WIRING HARNESS PACKAGED Ill. no. 1-21 (665577 + packaging)	1	1	0	0
02		XXX	ECU LANE A1 CONNECTOR not available	1	1	0	0
03		XXX	ECU LANE A2 CONNECTOR not available	1	1	0	0
04		XXX	ECU LANE B CONNECTOR not available	1	1	0	0
05		881312	CONNECTOR SET FUSE BOX non certified	2	2	0	0
06		881306	CONNECTOR SET AAPTS non certified	2	2	0	0
07		881298	CONNECTOR SET CPS non certified	2	2	0	0
08		881302	CONNECTOR SET OPS AND MAPS for pressure sensors in Pop Off valve inclusive	5	5	0	0
09		881296	CONNECTOR SET CTS A OTS A KNOCK non certified	3	3	0	0
10		881292	CONNECTOR SET MATS non certified	2	2	0	0
11		481455	CONNECTOR SET EGT non certified	2	2	0	0
12		881308	CONNECTOR SET TPS non certified	1	1	0	0
13		881300	CONNECTOR SET INJ non certified	8	8	0	0
14		881310	CONNECTOR SET IGNITION COIL non certified still valid	1	1	0	0
15		881304	CONNECTOR SET FUEL PUMP	2	2	0	0
16		481452	CONNECTOR SET PCV A non certified	1	1	0	0
17		481453	CONNECTOR SET PCV B non certified	1	1	0	0
18		481454	CONNECTOR SET PCV C non certified	1	1	0	0
19		965701	RING TERMINAL M4	9	9	0	0

Chapter: 76-50-00
WIRING HARNESS (Faston connectors ignition coil)
915 iSc A, 915 iS A

ITEM#	STATUS	PART#	DESCRIPTION	915 iSc A	915 iS A	915 iSc C24	915 iS C24
20		964059	RING TERMINAL M6	1	1	0	0
21		864011	FASTON CONNECTOR 6.3X0.8	1	1	0	0
22		966057	RING TERMINAL M6	4	4	0	0
23		881294	CONNECTOR SET HIC A AND HIC B non certified	1	1	0	0
24		251692	CABLE CLAMP 12/M6	2	2	0	0
25		827962	WASHER - A 6.4 - St	2	2	0	0
26		840392	ALLEN SCREW - M6x14	2	2	0	0
27		866716	TIE WRAP 203x7.6 MM	5	5	0	0
28		866714	TIE WRAP 142x3.2 MM	5	5	0	0
29		638140	CLAMP	2	2	0	0
30		881240	CONNECTOR SET AIRFRAME SIDE non certified HIC A. HIC B and FUSE BOX 3-pole SI-PAC-012	1	1	0	0
31		850610	CONNECTOR GASKET for MATS connector	2	2	0	0
32		850620	CONNECTOR GASKET for fuel pump connector	2	2	0	0

This page intentionally left blank

Chapter: 76-50-00
WIRING HARNESS (Tyco connectors ignition coil)
915 iSc A, 915 iS A



Chapter: 76-50-00
WIRING HARNESS (Tyco connectors ignition coil)
915 iSc A, 915 iS A

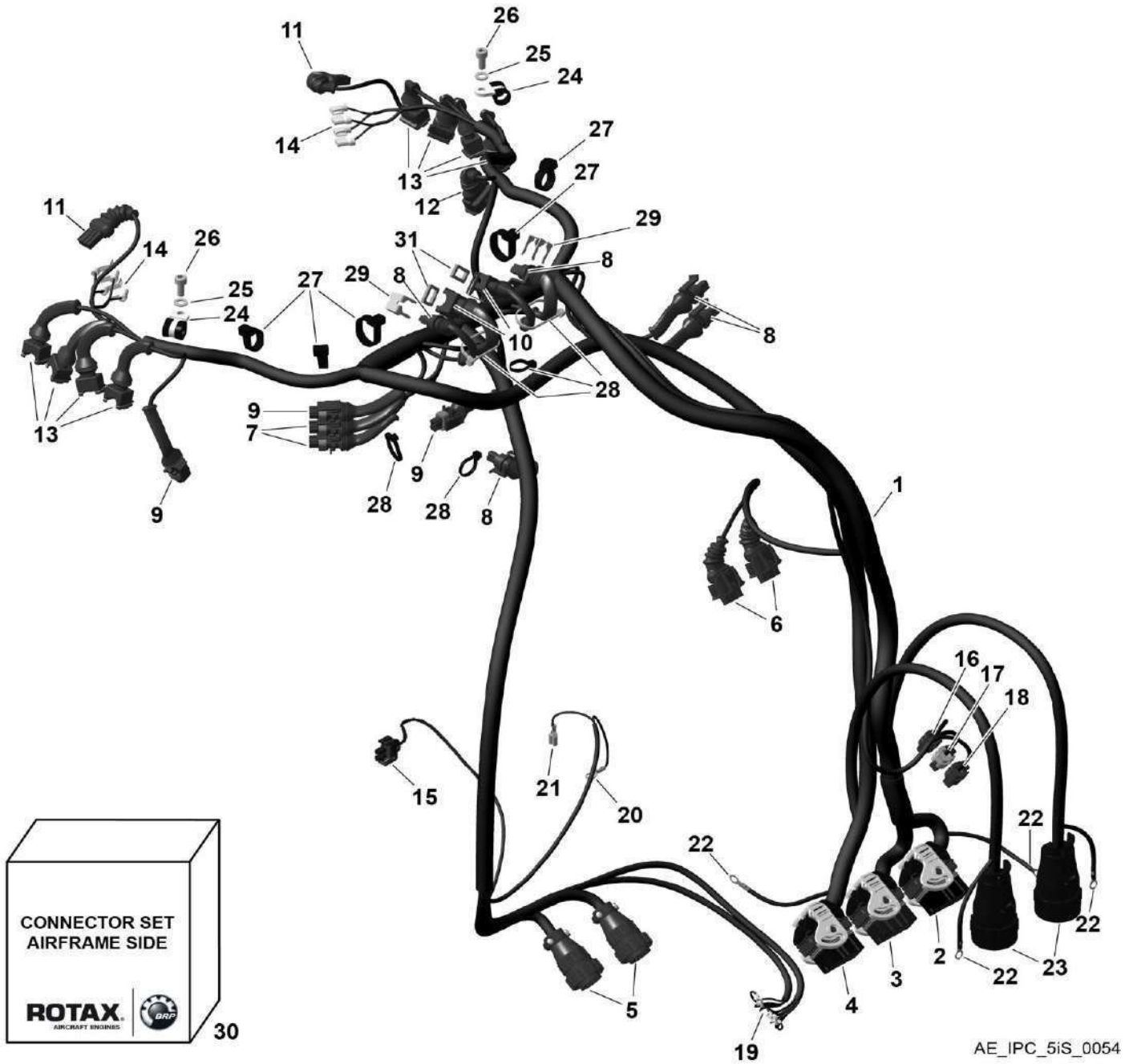
ITEM#	STATUS	PART#	DESCRIPTION	915 iSc A	915 iS A	915 iSc C24	915 iS C24
01		665587	WIRING HARNESS PACKAGED Ill. no. 1-22 non certified (665681 certified + packaging) for double ignition coil with TYCO connector	1	1	0	0
02		XXX	ECU LANE A1 CONNECTOR not available	1	1	0	0
03		XXX	ECU LANE A2 CONNECTOR not available	1	1	0	0
04		XXX	ECU LANE B CONNECTOR not available	1	1	0	0
05		881312	CONNECTOR SET FUSE BOX non certified	2	2	0	0
06		881306	CONNECTOR SET AAPTS non certified	2	2	0	0
07		881298	CONNECTOR SET CPS non certified	2	2	0	0
08		881302	CONNECTOR SET OPS AND MAPS 2 x for pressure sensors in Pop Off valve inclusive	5	5	0	0
09		881296	CONNECTOR SET CTS A OTS A KNOCK non certified	3	3	0	0
10		881292	CONNECTOR SET MATS non certified	2	2	0	0
11		481455	CONNECTOR SET EGT non certified	2	2	0	0
12		881308	CONNECTOR SET TPS non certified	1	1	0	0
13		881300	CONNECTOR SET INJ non certified	8	8	0	0
14		881316	CONNECTOR SET DOUBLE IGNITION COIL non certified	1	1	0	0
15		881304	CONNECTOR SET FUEL PUMP	2	2	0	0
16		481452	CONNECTOR SET PCV A non certified	1	1	0	0
17		481453	CONNECTOR SET PCV B non certified	1	1	0	0

Chapter: 76-50-00
WIRING HARNESS (Tyco connectors ignition coil)
915 iSc A, 915 iS A

ITEM#	STATUS	PART#	DESCRIPTION	915 iSc A	915 iS A	915 iSc C24	915 iS C24
18		481454	CONNECTOR SET PCV C non certified	1	1	0	0
19		965701	RING TERMINAL M4	9	9	0	0
20		964059	RING TERMINAL M6	1	1	0	0
21		864011	FASTON CONNECTOR 6.3X0.8	1	1	0	0
22		966057	RING TERMINAL M6	4	4	0	0
23		881294	CONNECTOR SET HIC A AND HIC B non certified	1	1	0	0
24		251692	CABLE CLAMP 12/M6	2	2	0	0
25		827962	WASHER - A 6.4 - St	2	2	0	0
26		840392	ALLEN SCREW - M6x14	2	2	0	0
27		866716	TIE WRAP 203x7.6 MM	5	5	0	0
28		866714	TIE WRAP 142x3.2 MM	7	7	0	0
29		638140	CLAMP	2	2	0	0
30		881240	CONNECTOR SET AIRFRAME SIDE non certified HIC A, HIC B and FUSE BOX 3-pole SI-PAC-012	1	1	0	0
31		850610	CONNECTOR GASKET for MATS connector	2	2	0	0
32		850620	CONNECTOR GASKET for fuel pump connector	2	2	0	0
33		851110	CABLE CLAMP 8/M5	2	2	0	0

This page intentionally left blank

Chapter: 76-50-00
WIRING HARNESS (Faston connectors ignition coil)
915 iSc C24, 915 iS C24



Chapter: 76-50-00
WIRING HARNESS (Faston connectors ignition coil)
915 iSc C24, 915 iS C24

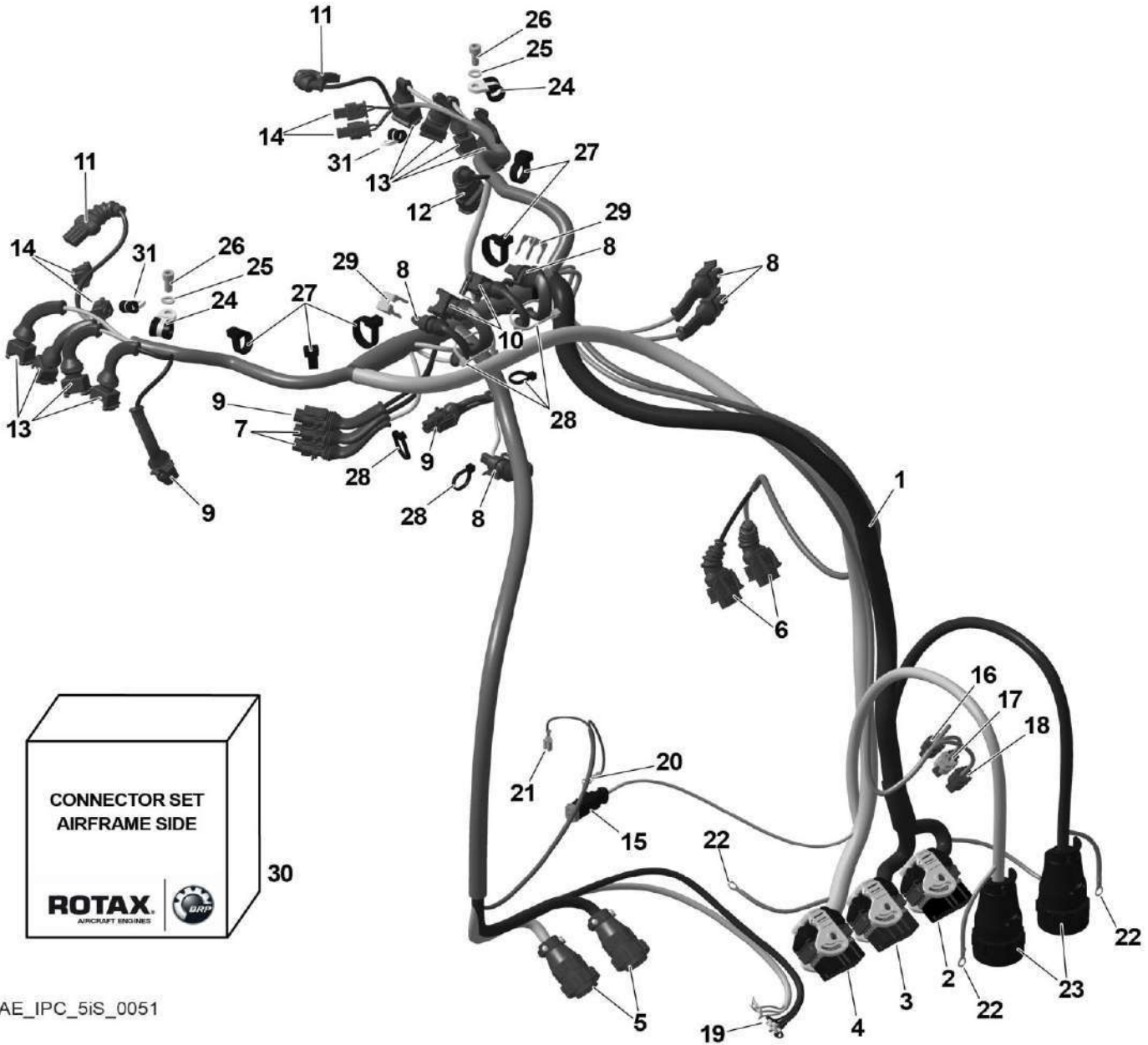
ITEM#	STATUS	PART#	DESCRIPTION	915 iSc A	915 iS A	915 iSc C24	915 iS C24
01		665599	WIRING HARNESS SHORT PACKAGED (665597 + packaging) Ill. no. 1-21 with rubber seals for MATS connector	0	0	1	1
02		XXX	ECU LANE A1 CONNECTOR not available	0	0	1	1
03		XXX	ECU LANE A2 CONNECTOR not available	0	0	1	1
04		XXX	ECU LANE B CONNECTOR not available	0	0	1	1
05		881312	CONNECTOR SET FUSE BOX non certified	0	0	2	2
06		881306	CONNECTOR SET AAPTS non certified	0	0	2	2
07		881298	CONNECTOR SET CPS non certified	0	0	2	2
08		881302	CONNECTOR SET OPS AND MAPS 2 x for pressure sensors in Pop Off Valve inclusive	0	0	5	5
09		881296	CONNECTOR SET CTS A OTS A KNOCK non certified	0	0	3	3
10		881292	CONNECTOR SET MATS non certified	0	0	2	2
11		481455	CONNECTOR SET EGT non certified	0	0	2	2
12		881308	CONNECTOR SET TPS non certified	0	0	1	1
13		881300	CONNECTOR SET INJ non certified	0	0	8	8
14		881310	CONNECTOR SET IGNITION COIL non certified	0	0	1	1
15		XXX	FUEL PUMP CONNECTOR	0	0	2	2
16		481452	CONNECTOR SET PCV A non certified	0	0	1	1
17		481453	CONNECTOR SET PCV B non certified	0	0	1	1
18		481454	CONNECTOR SET PCV C non certified	0	0	1	1
19		965701	RING TERMINAL M4	0	0	9	9

Chapter: 76-50-00
WIRING HARNESS (Faston connectors ignition coil)
915 iSc C24, 915 iS C24

ITEM#	STATUS	PART#	DESCRIPTION	915 iSc A	915 iS A	915 iSc C24	915 iS C24
20		964059	RING TERMINAL M6	0	0	1	1
21		864011	FASTON CONNECTOR 6.3X0.8	0	0	1	1
22		966057	RING TERMINAL M6	0	0	4	4
23		XXX	CONNECTOR SET HIC A + HIC B non certified	0	0	1	1
24		251692	CABLE CLAMP 12/M6	0	0	2	2
25		827962	WASHER - A 6.4 - St	0	0	2	2
26		840392	ALLEN SCREW - M6x14	0	0	2	2
27		866716	TIE WRAP 203x7.6 MM	0	0	5	5
28		866714	TIE WRAP 142x3.2 MM	0	0	5	5
29		638140	CLAMP	0	0	2	2
30		881245	CONNECTOR SET AIRFRAME SIDE C24 non certified HIC A. HIC B and FUSE BOX 3-pole SI-PAC-012	0	0	1	1
31		850610	CONNECTOR GASKET for MATS connector	0	0	2	2

This page intentionally left blank

Chapter: 76-50-00
WIRING HARNESS (Tyco connectors ignition coil)
915 iSc C24, 915 iS C24



AE_IPC_5iS_0051

Chapter: 76-50-00
WIRING HARNESS (Tyco connectors ignition coil)
915 iSc C24, 915 iS C24

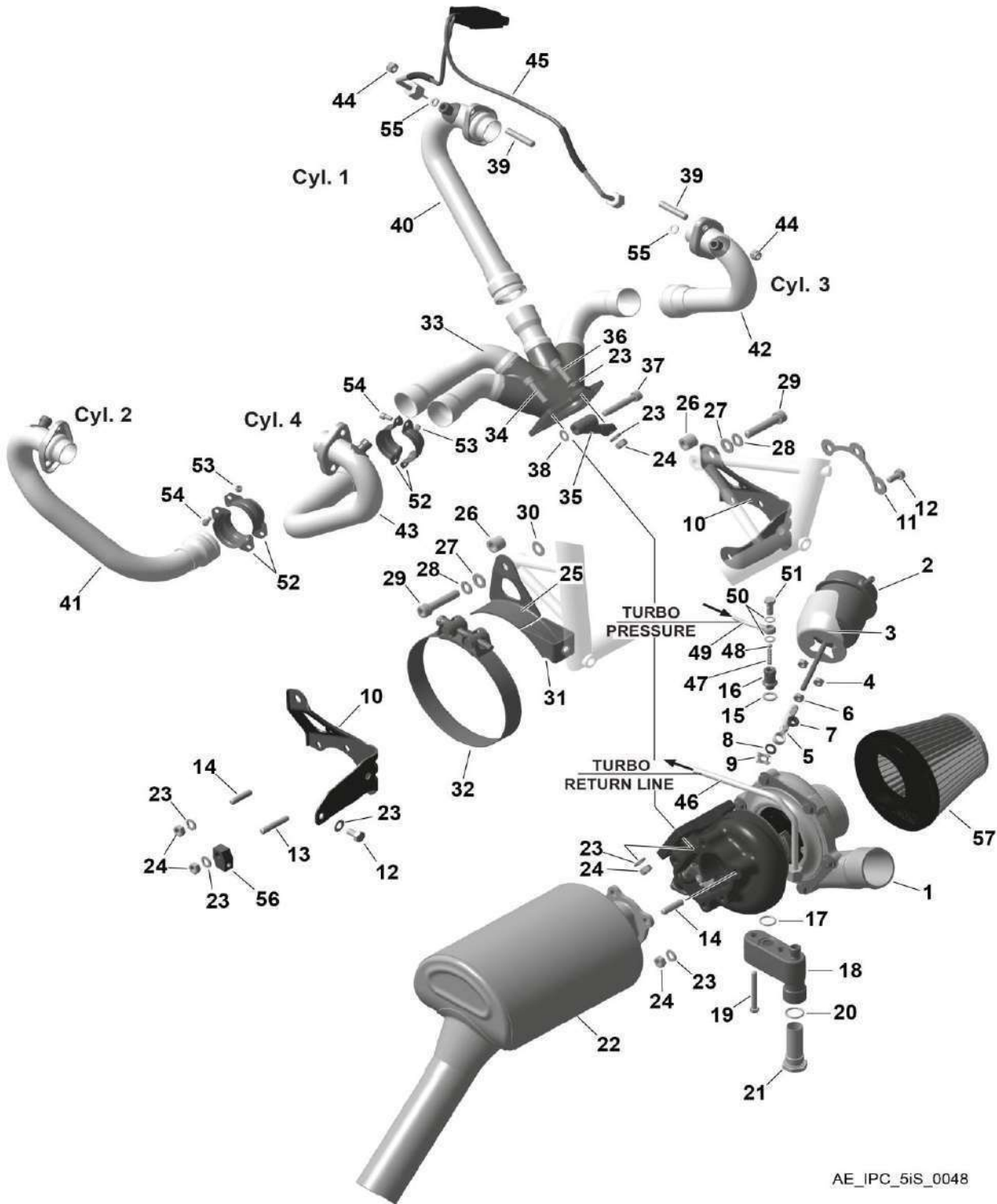
ITEM#	STATUS	PART#	DESCRIPTION	915 iSc A	915 iS A	915 iSc C24	915 iS C24
01		665594	WIRING HARNESS SHORT PACKAGED (665683 + packaging) TYCO connector instead 6.3 mm faston connector for ignition coils	0	0	1	1
01		665598	WIRING HARNESS STANDARD PACKAGED (665688 + packaging) TYCO connector instead 6.3 mm faston connector for ignition coils	0	0	1	1
02		XXX	ECU LANE A1 CONNECTOR not available	0	0	1	1
03		XXX	ECU LANE A2 CONNECTOR not available	0	0	1	1
04		XXX	ECU LANE B CONNECTOR not available	0	0	1	1
05		881312	CONNECTOR SET FUSE BOX non certified	0	0	2	2
06		881306	CONNECTOR SET AAPTS non certified	0	0	2	2
07		881298	CONNECTOR SET CPS non certified	0	0	2	2
08		881302	CONNECTOR SET OPS AND MAPS 2 x for BPS inclusive	0	0	5	5
09		881296	CONNECTOR SET CTS A OTS A KNOCK non certified	0	0	3	3
10		881292	CONNECTOR SET MATS non certified	0	0	2	2
11		481455	CONNECTOR SET EGT non certified	0	0	2	2
12		881308	CONNECTOR SET TPS non certified	0	0	1	1
13		881300	CONNECTOR SET INJ non certified	0	0	8	8
14		881316	CONNECTOR SET DOUBLE IGNITION COIL non certified	0	0	1	1
15		XXX	FUEL PUMP CONNECTOR	0	0	2	2
16		481452	CONNECTOR SET PCV A non certified	0	0	1	1
17		481453	CONNECTOR SET PCV B non certified	0	0	1	1

Chapter: 76-50-00
WIRING HARNESS (Tyco connectors ignition coil)
915 iSc C24, 915 iS C24

ITEM#	STATUS	PART#	DESCRIPTION	915 iSc A	915 iS A	915 iSc C24	915 iS C24
18		481454	CONNECTOR SET PCV C non certified	0	0	1	1
19		965701	RING TERMINAL M4	0	0	9	9
20		964059	RING TERMINAL M6	0	0	1	1
21		864011	FASTON CONNECTOR 6.3X0.8	0	0	1	1
22		966057	RING TERMINAL M6	0	0	4	4
23		XXX	CONNECTOR SET HIC A + HIC B	0	0	1	1
24		251692	CABLE CLAMP 12/M6	0	0	2	2
25		827962	WASHER - A 6.4 - St	0	0	2	2
26		840392	ALLEN SCREW - M6x14	0	0	2	2
27		866716	TIE WRAP 203x7.6 MM	0	0	5	5
28		866714	TIE WRAP 142x3.2 MM	0	0	5	5
29		638140	CLAMP	0	0	2	2
30		881245	CONNECTOR SET AIRFRAME SIDE C24 non certified	0	0	1	1
			HIC A. HIC B and FUSE BOX 3-pole SI-PAC-012				
31		851110	CABLE CLAMP 8/M5	0	0	2	2

This page intentionally left blank

Chapter: 78-10-00
EXHAUST SYSTEM, EXHAUST TEMPERATURE SENSOR (old version)
915 iSc A, 915 iS A



Chapter: 78-10-00
EXHAUST SYSTEM, EXHAUST TEMPERATURE SENSOR (old version)
915 iSc A, 915 iS A

ITEM#	STATUS	PART#	DESCRIPTION	915 iSc A	915 iS A	915 iSc C24	915 iS C24
01		893100	TURBOCHARGER ASSY. PACKED (893106 + packaging) SI-915i-007	1	1	0	0
02		667840	WASTEGATE ACTUATOR ASSY.	1	1	0	0
03		975160	HEAT SHIELD	1	1	0	0
04		942245	LOCK NUT 1/4-28UNF	2	2	0	0
05		971840	ROD END	1	1	0	0
06		842435	HEX. NUT 1/4-28UNF	1	1	0	0
07		933681	BUSHING	1	1	0	0
08		944950	WASHER 8.3/14.3/0.91	1	1	0	0
09		845820	RETAINER CLIP still valid	1	1	0	0
09	N	845005	CIRCLIP	1	1	0	0
10		851297	TURBOCHARGER BRACKET for turbocharger bracket 851297 SI-915i-007	1	1	0	0
11		851305	REINFORCEMENT SHEET	1	1	0	0
12		940583	HEX. SCREW M8X16 STAINLESS STEEL for turbocharger bracket 851297	4	4	0	0
13		641343	STUD M8X30/13 for turbocharger bracket 851297	1	1	0	0
14		940173	STUD M8X19.5/13	5	5	0	0
15		250646	SEALING RING - A 12X18-CU	1	1	0	0
16		956489	VALVE HOUSING	1	1	0	0
17		430225	O-RING -15.9X2.3	1	1	0	0
18		656770	OIL SUMP ASSY	1	1	0	0
19		640601	HEX.SCREW - M6X55	2	2	0	0
20		250057	O-RING - 18X2.5	1	1	0	0
21		640860	PLUG SCREW ASSY. M22x1.5	1	1	0	0
22		979475	MUFFLER ASSY. SI-915i-007 not available	1	1	0	0
22		979479	MUFFLER ASSY. BRUSHED SI-915i-007	1	1	0	0
23		250313	WASHER 8.4 STAINLESS STEEL for turbocharger bracket 851297	12	12	0	0
24		242203	HEX.NUT M8 STAINLESS STEEL	9	9	0	0
25		851680	EXHAUST BRACKET	1	1	0	0

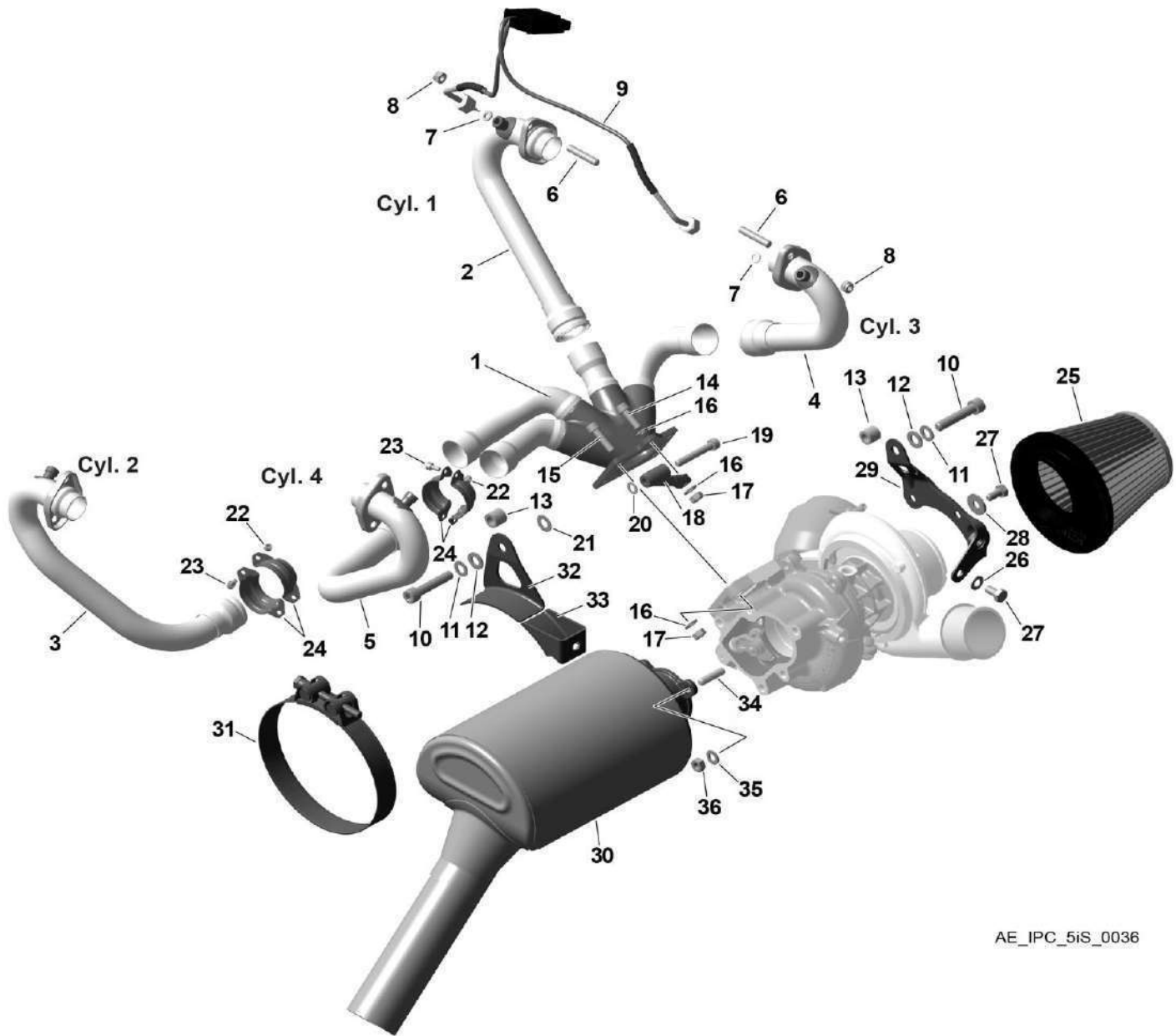
Chapter: 78-10-00
EXHAUST SYSTEM, EXHAUST TEMPERATURE SENSOR (old version)
915 iSc A, 915 iS A

ITEM#	STATUS	PART#	DESCRIPTION	915 iSc A	915 iS A	915 iSc C24	915 iS C24
26		847841	SPACER 10.5/17/15 see chapter 71-20-00	2	2	0	0
27		927411	WASHER 10.5 see chapter 71-20-00	2	2	0	0
28		945833	LOCK WASHER A10 see chapter 71-20-00	2	2	0	0
28		945753	LOCK WASHER A10 still valid see chapter 71-20-00	2	2	0	0
29		840948	ALLEN SCREW - M10X35 see chapter 71-20-00	2	2	0	0
30		927953	THRUST WASHER 10.1/20/1.0 see chapter 71-20-00 as required	1	1	0	0
30		927952	THRUST WASHER 10.1/20/0.5 see chapter 71-20-00 as required	1	1	0	0
31		851685	EXHAUST BRACKET	1	1	0	0
32		851445	CLAMP 140-148	1	1	0	0
33		979563	EXHAUST MANIFOLD ASSY.	1	1	0	0
34		840993	ALLEN SCREW - M8X30	4	4	0	0
35		953306	MANIFOLD BRACKET ASSY.	1	1	0	0
36		240083	ALLEN SCREW - M8X25 STAINLESS	1	1	0	0
37		440107	ALLEN SCREW - M8X50	1	1	0	0
38		926400	WASHER 8.4/15/0.5 as required	1	1	0	0
38		926401	WASHER 8.4/15/1 as required	1	1	0	0
38		926402	WASHER 8.4/15/1.5 as required	1	1	0	0
39		940368	STUD M8X23/20	8	8	0	0
40		979502	EXHAUST PIPE ASSY. CYL. 1	1	1	0	0
41		979512	EXHAUST PIPE ASSY. CYL. 2	1	1	0	0
42		979522	EXHAUST PIPE ASSY. CYL. 3	1	1	0	0
43		979533	EXHAUST PIPE ASSY. CYL. 4	1	1	0	0
44		842950	LOCK NUT M8-SW12	8	8	0	0
45		866263	TEMPERATURE SENSOR still valid	2	2	0	0
45		866264	TEMPERATURE SENSOR	2	2	0	0

Chapter: 78-10-00
EXHAUST SYSTEM, EXHAUST TEMPERATURE SENSOR (old version)
915 iSc A, 915 iS A

ITEM#	STATUS	PART#	DESCRIPTION	915 iSc A	915 iS A	915 iSc C24	915 iS C24
46		656760	TURBO OIL SUCTION LINE see chapter 79-20-00	1	1	0	0
47		239131	COMPRESSION SPRING 22.0	1	1	0	0
48		232441	BALL - 5.556 G28 - 1.3505	1	1	0	0
49		656765	TURBO PRESSURE OIL LINE see chapter 79-20-00	1	1	0	0
50		950141	SEALING RING A 8X13	2	2	0	0
51		840730	BANJO BOLT M8X1X17	1	1	0	0
52		979570	EXHAUST PIPE CLAMP (cylinder 2 and 4)	4	4	0	0
53		901442	HEX.NUT - M5 - A2 (cylinder 2 and 4)	4	4	0	0
54		240153	ALLEN SCREW - M5X10 (cylinder 2 and 4)	4	4	0	0
55		244213	WASHER 6.4	4	4	0	0
56		953280	SUPPORT PLATE for turbocharger bracket 851297	1	1	0	0
57		825900	AIR FILTER non certified see chapter 73-10-00 SI-PAC-006	1	1	0	0

Chapter: 78-10-00
EXHAUST SYSTEM, EXHAUST TEMPERATURE SENSOR (new version)



AE_IPC_5iS_0036

Chapter: 78-10-00
EXHAUST SYSTEM, EXHAUST TEMPERATURE SENSOR (new version)

ITEM#	STATUS	PART#	DESCRIPTION	915 iSc A	915 iS A	915 iSc C24	915 iS C24
01		979563	EXHAUST MANIFOLD ASSY.	1	1	1	1
02		979502	EXHAUST PIPE ASSY. CYL. 1	1	1	1	1
03		979512	EXHAUST PIPE ASSY. CYL. 2	1	1	1	1
04		979522	EXHAUST PIPE ASSY. CYL. 3	1	1	1	1
05		979533	EXHAUST PIPE ASSY. CYL. 4	1	1	1	1
06		940368	STUD M8X23/20	8	8	8	8
07		244213	WASHER 6.4	4	4	4	4
08		842950	LOCK NUT M8-SW12	8	8	8	8
09		866263	TEMPERATURE SENSOR still valid	2	2	2	2
09		866264	TEMPERATURE SENSOR	2	2	2	2
10		640572	ALLEN SCREW - M10X50 see chapter 71-20-00	2	2	2	2
11		945833	LOCK WASHER A10 see chapter 71-20-00	2	2	2	2
11		945753	LOCK WASHER A10 still valid see chapter 71-20-00	2	2	2	2
12		927411	WASHER 10.5 see chapter 71-20-00	2	2	2	2
13		847841	SPACER 10.5/17/15	2	2	2	2
14		XXX	ALLEN SCREW - M8x20	1	1	1	1
15		840993	ALLEN SCREW - M8X30	4	4	4	4
16		250313	WASHER 8.4 STAINLESS STEEL For turbocharger bracket 851297	12	12	12	12
17		242203	HEX.NUT M8 STAINLESS STEEL	9	9	9	9
18		953306	MANIFOLD BRACKET ASSY.	1	1	1	1
19		440107	ALLEN SCREW - M8X50	1	1	1	1
20		926402	WASHER 8.4/15/1.5 as required	1	1	1	1
20		926401	WASHER 8.4/15/1 as required	1	1	1	1
20		926400	WASHER 8.4/15/0.5 as required	1	1	1	1
21		927953	THRUST WASHER 10.1/20/1.0 as required see chapter 71-20-00	1	1	1	1

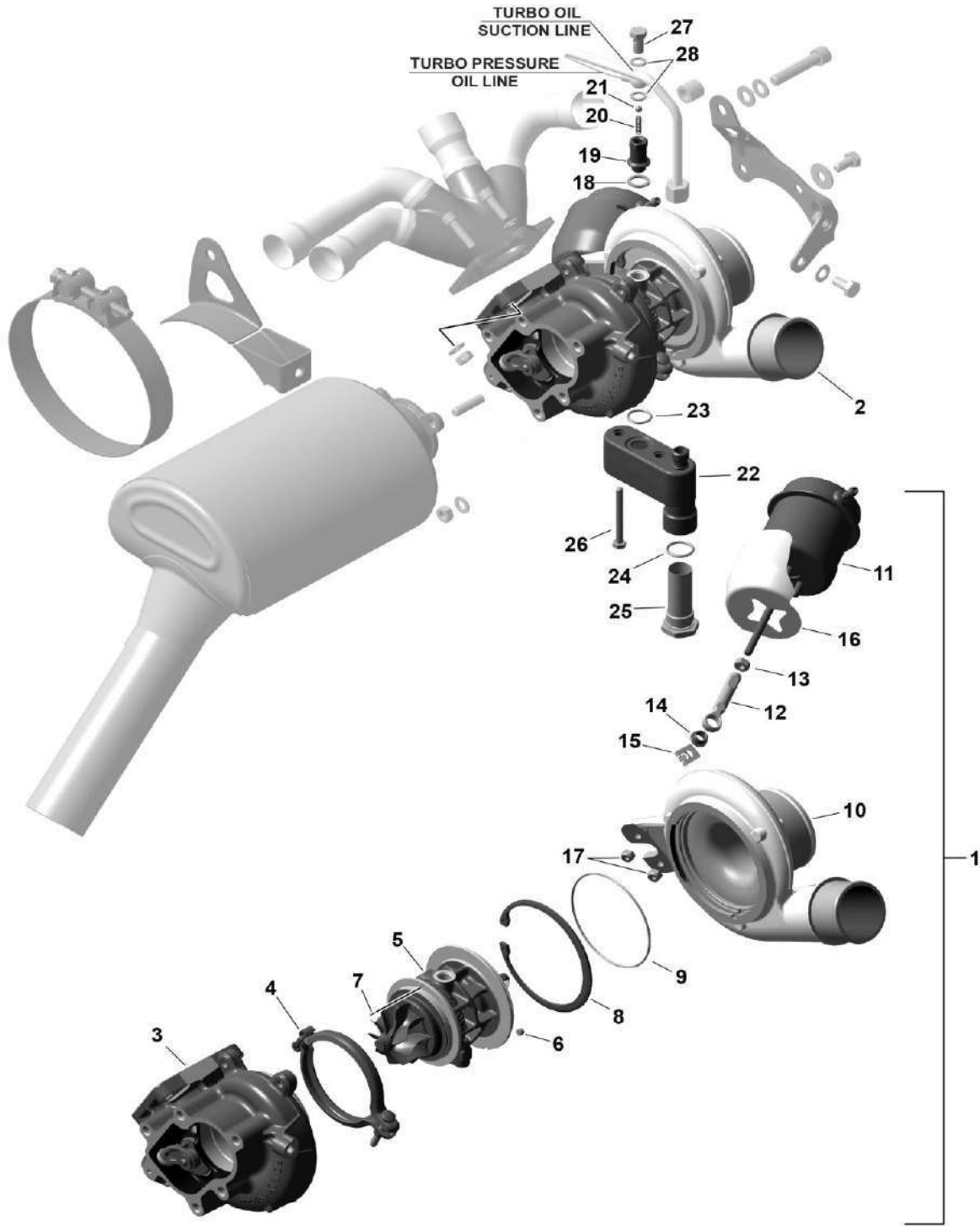
Chapter: 78-10-00

EXHAUST SYSTEM, EXHAUST TEMPERATURE SENSOR (new version)

ITEM#	STATUS	PART#	DESCRIPTION	915 iSc A	915 iS A	915 iSc C24	915 iS C24
22		901442	HEX.NUT - M5 (cylinder 2 and 4)	4	4	4	4
23		240153	ALLEN SCREW - M5X10 (cylinder 2 and 4)	4	4	4	4
24		979570	EXHAUST PIPE CLAMP (cylinder 2 and 4)	4	4	4	4
25		825900	AIR FILTER non certified see chapter 73-10-00 SI-PAC-006	1	1	1	1
26		250313	WASHER 8.4 STAINLESS STEEL	1	1	1	1
27		940583	HEX. SCREW M8X16 STAINLESS STEEL	3	3	3	3
28		626333	WASHER 8.4	2	2	2	2
29		851283	TURBOCHARGER BRACKET UNF	1	1	1	1
29		851299	TURBOCHARGER BRACKET	1	1	1	1
30		979495	MUFFLER ASSY. BRUSHED	1	1	1	1
30		979478	MUFFLER ASSY. not available	1	1	1	1
31		851445	CLAMP 140-148	1	1	1	1
32		851680	EXHAUST BRACKET	1	1	1	1
33		851685	EXHAUST BRACKET	1	1	1	1
34		940173	STUD M8X19.5/13	5	5	5	5
35		250313	WASHER 8.4 STAINLESS STEEL	5	5	5	5
36		242203	HEX.NUT M8 STAINLESS STEEL	5	5	5	5

This page intentionally left blank

Chapter: 78-10-00
TURBOCHARGER

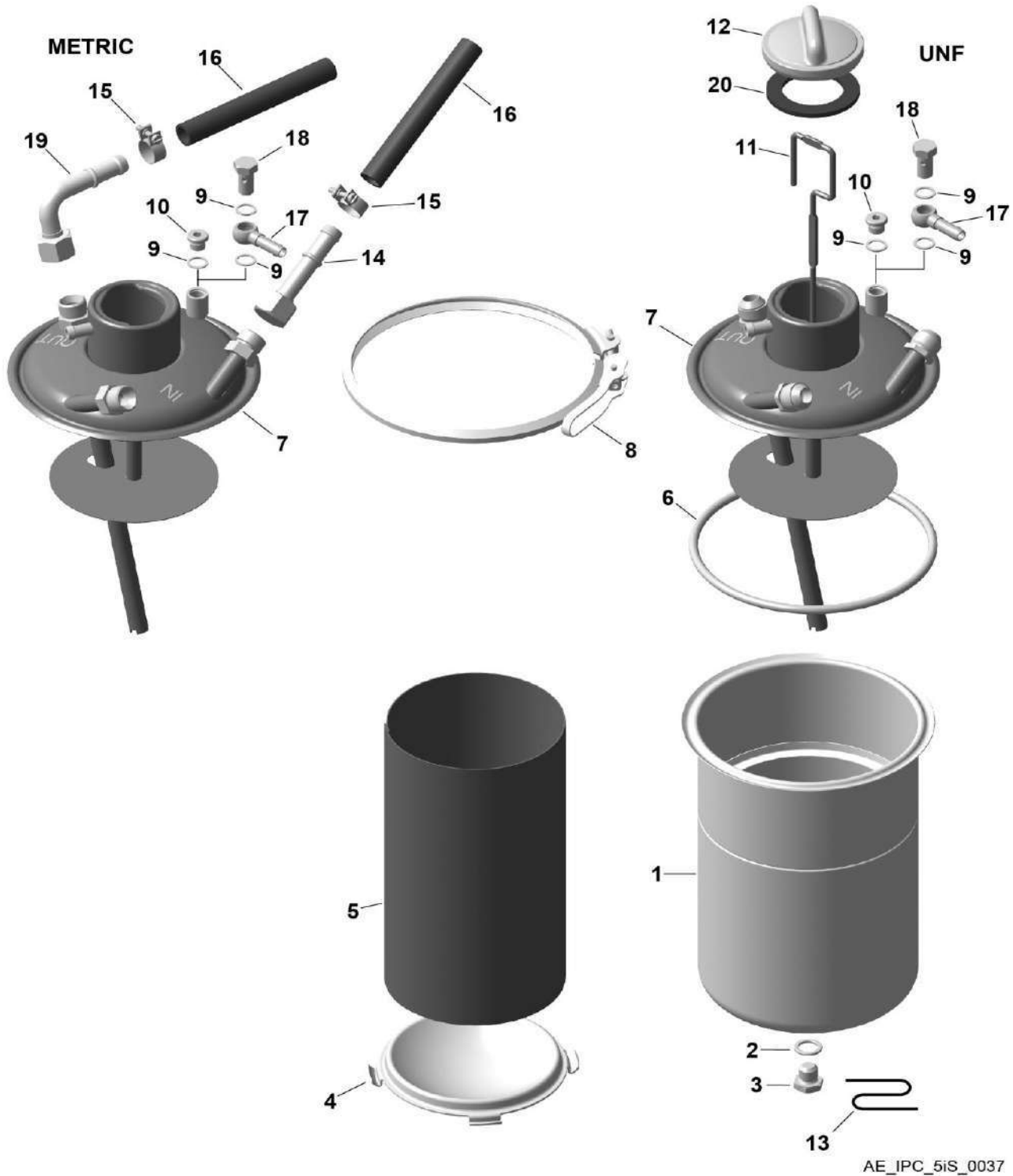


AE_IPC_5iS_0040

Chapter: 78-10-00
TURBOCHARGER

ITEM#	STATUS	PART#	DESCRIPTION	915 iSc A	915 iS A	915 iSc C24	915 iS C24
01		893101	TURBOCHARGER ASSY.PACKAGED Ill. no. 3-17 (893109 + packaging)	1	1	1	1
02		893109	TURBOCHARGER ASSY. Ill. no. 3-17	1	1	1	1
03		912225	TURBINE HOUSING ASSY.	1	1	1	1
04		651873	V-BAND CLAMP ASSY. 83MM	1	1	1	1
05		864165	TURBO CARTRIDGE ASSY. BALANCED	1	1	1	1
06		629320	GUIDE PIN 6 x 4	1	1	1	1
07		629330	NEEDLE PIN 2X6	1	1	1	1
08		651866	RETAINING RING	1	1	1	1
09		850540	O-RING -83X2-N.	1	1	1	1
10		910753	COMPRESSOR HOUSING	1	1	1	1
11		867383	ACTUATOR ASSY. Ill. no. 10-12	1	1	1	1
12	N	440845	EYE BOLT 7/16 inch M6x0.75	1	1	1	1
12		440844	EYE BOLT 7/16 inch M6x0.75 still valid	1	1	1	1
13		242914	HEX. NUT M6x0.75 - A2-70	1	1	1	1
14		933682	BUSHING	1	1	1	1
15		845005	CIRCLIP	1	1	1	1
16		975150	HEAT SHIELD	1	1	1	1
17		842041	LOCK NUT M6 - 6.6	2	2	2	2
18		250646	SEALING RING -A 12X18-CU	1	1	1	1
18		250640	SEALING RING -A 12X18-CU still valid	1	1	1	1
19		956482	VALVE HOUSING	1	1	1	1
20		239131	COMPRESSION SPRING 22.0	1	1	1	1
21		232441	BALL - 5.556 G28 - 1.3505	1	1	1	1
22		656770	OIL SUMP ASSY	1	1	1	1
23		430225	O-RING -15.9X2.3	1	1	1	1
24		250057	O-RING -18X2.5	1	1	1	1
25		640860	PLUG SCREW ASSY. M22x1.5	1	1	1	1
26		640601	HEX.SCREW - M6X55	2	2	2	2
27	N	840730	BANJO BOLT M8X1X17 see chapter 79-20-00	1	1	1	1
28	N	950141	SEALING RING A 8X13 see chapter 79-20-00	2	2	2	2

Chapter: 79-20-00
OIL TANK



Chapter: 79-20-00
OIL TANK

ITEM#	STATUS	PART#	DESCRIPTION	915 iSc A	915 iS A	915 iSc C24	915 iS C24
01		656226	OIL TANK ASSY. METRIC Ill. no. 1-12 METRIC standard Connection IN M18x1.5 OUT M22x1.5	1	1	1	1
01		656224	OIL TANK ASSY. UNF Ill. no. 1-12 UNF standard Connection IN 3/4-16 UNF (AN-8) OUT 7/8-14 UNF (AN-10)	1	1	1	1
01		656222	OIL TANK ASSY. UNF BIG Ill. no. 1-12 non certified Connection IN 3/4-16 UNF (AN-8) OUT 7/8-14 UNF (AN-10) SI-PAC-018 optional	1	1	1	1
02		250010	GASKET RING C 12X18	1	1	1	1
03		241408	PLUG SCREW - M12X12	1	1	1	1
04		656861	PARTITION WALL	1	1	1	1
05		956205	BAFFLE INSERT	1	1	1	1
05		956204	BAFFLE INSERT BIG	1	1	1	1
06		850491	O-RING -145X6	1	1	1	1
07		XXX	OIL TANK COVER ASSY. UNF standard not available	1	1	1	1
07		XXX	OIL TANK COVER ASSY. UNF BIG not available	1	1	1	1
07		XXX	OIL TANK COVER ASSY. METRIC standard not available	1	1	1	1
08		951817	PROFILE CLAMP 163	1	1	1	1
09		230150	SEALING RING A 10X14	1	1	1	1
10		641733	PLUG SCREW M10X1	1	1	1	1
11		956154	OIL DIPSTICK BIG non certified	1	1	1	1

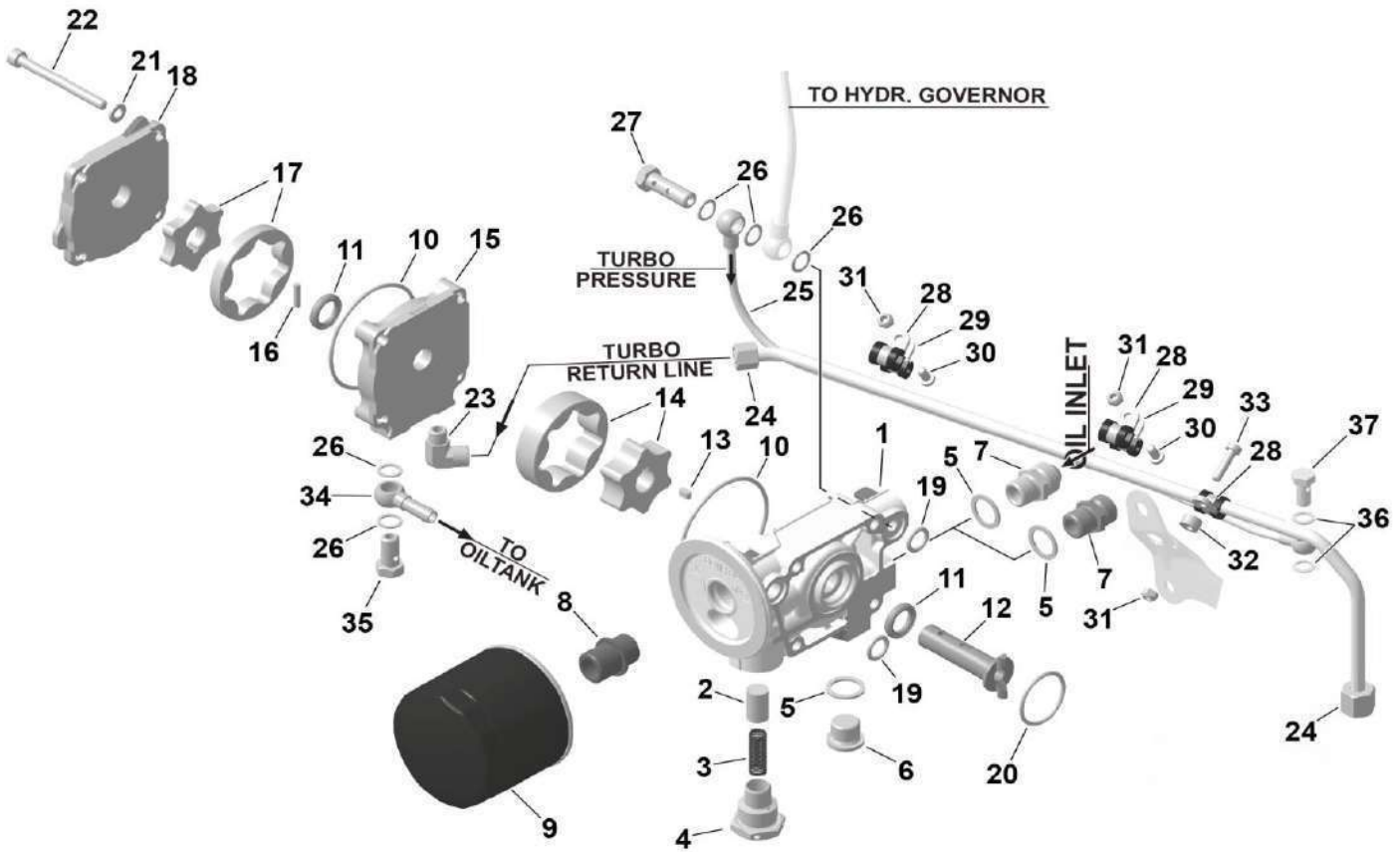
Chapter: 79-20-00
OIL TANK

ITEM#	STATUS	PART#	DESCRIPTION	915 iSc A	915 iS A	915 iSc C24	915 iS C24
11		956152	OIL DIPSTICK	1	1	1	1
12		974650	OIL TANK COVER KPL. BIG Ill. no. 12. 20 non certified optional	1	1	1	1
12		974647	OIL TANK COVER. WITHOUT VENTING standard tank	1	1	1	1
13		297555	SAFETY WIRE 0.8	1	1	1	1
14		956610	HOSE NIPPLE WITH UNION NUT non certified as required M18x1.5 SI-PAC-013	1	1	1	1
15		951826	HOSE CLAMP -19x9 non certified as required SI-PAC-013	1	1	1	1
16		956394	OIL TUBE M4M-2 12X19 non certified as required SI-PAC-013	1	1	1	1
17		956314	HOSE NIPPLE 4/6 SI-PAC-013	1	1	1	1
18		241073	BANJO BOLT M10X1X19 SI-PAC-013	1	1	1	1
19		956580	BENT SOCKET ASSY. non certified as required M18x1.5 SI-PAC-013	1	1	0	0
20	N	201770	SEALING RING 39X59X3.5	1	1	1	1

This page intentionally left blank

Chapter: 79-20-00

OIL PUMP ASSY., OIL FILTER, OIL TEMPERATURE SENSOR, OIL PRESSURE SENSOR



AE_IPC_5iS_0038

Chapter: 79-20-00

OIL PUMP ASSY., OIL FILTER, OIL TEMPERATURE SENSOR, OIL PRESSURE SENSOR

ITEM#	STATUS	PART#	DESCRIPTION	915 iSc A	915 iS A	915 iSc C24	915 iS C24
01		811463	OIL PUMP HOUSING	1	1	1	1
02		856330	REGULATING PISTON	1	1	1	1
03		838125	COMPRESSION SPRING L65.6	1	1	1	1
04		640850	PLUG SCREW M22x1.5	1	1	1	1
05		430622	SEALING RING A 16X22	2	2	2	2
06		240234	PLUG SCREW A M16X1.5	1	1	1	1
07		956605	ADAPTER M22X1.5/ M16X1.5	1	1	1	1
07		956635	ADAPTER 7/8-14 UNF/ M16 X 1.5 AN-10	1	1	1	1
08		924424	OIL FILTER NIPPLE	1	1	1	1
09		825016	OIL FILTER PACKAGED	1	1	1	1
10		830372	O-RING -63X2.5	2	2	2	2
11		430102	OIL SEAL A 14X22X4 FPM	2	2	2	2
12		837295	OIL PUMP SHAFT	1	1	1	1
13		246580	KEY A 4X4X8	1	1	1	1
14		888821	PRESSURE INNER AND OUTER ROTOR	1	1	1	1
15		812195	OIL PUMP HOUSING	1	1	1	1
16		232732	NEEDLE PIN B 4X15.8 G2	1	1	1	1
16		232731	NEEDLE PIN 4X15.8 G3 not available	1	1	1	1
17		656850	ROTOR SET	1	1	1	1
18		911717	OIL PUMP COVER	1	1	1	1
19		250460	O-RING -11X2.7- BLACK	2	2	2	2
20		950410	O-RING -30X2.5	1	1	1	1
21		827962	WASHER -A 6.4	4	4	4	4
22		241263	ALLEN SCREW - M6x65	4	4	4	4
23		824020	MALE STUD ELBOW M10x1	1	1	1	1
24		656760	TURBO OIL SUCTION LINE	1	1	1	1
25		656765	TURBO PRESSURE OIL LINE	1	1	1	1
26		230150	SEALING RING A 10X14	5	5	5	5
27		940877	BANJO BOLT M10X1X34	1	1	1	1
27		940873	BANJO BOLT M10X1X30 not available	1	1	1	1
28		851111	CABLE CLAMP 8/M5	3	3	3	3
29		851116	CABLE CLAMP 5/M5	2	2	2	2
30		241842	ALLEN SCREW - M5X12	2	2	2	2
31		942021	LOCK NUT - M5 - 6	3	3	3	3

Chapter: 79-20-00

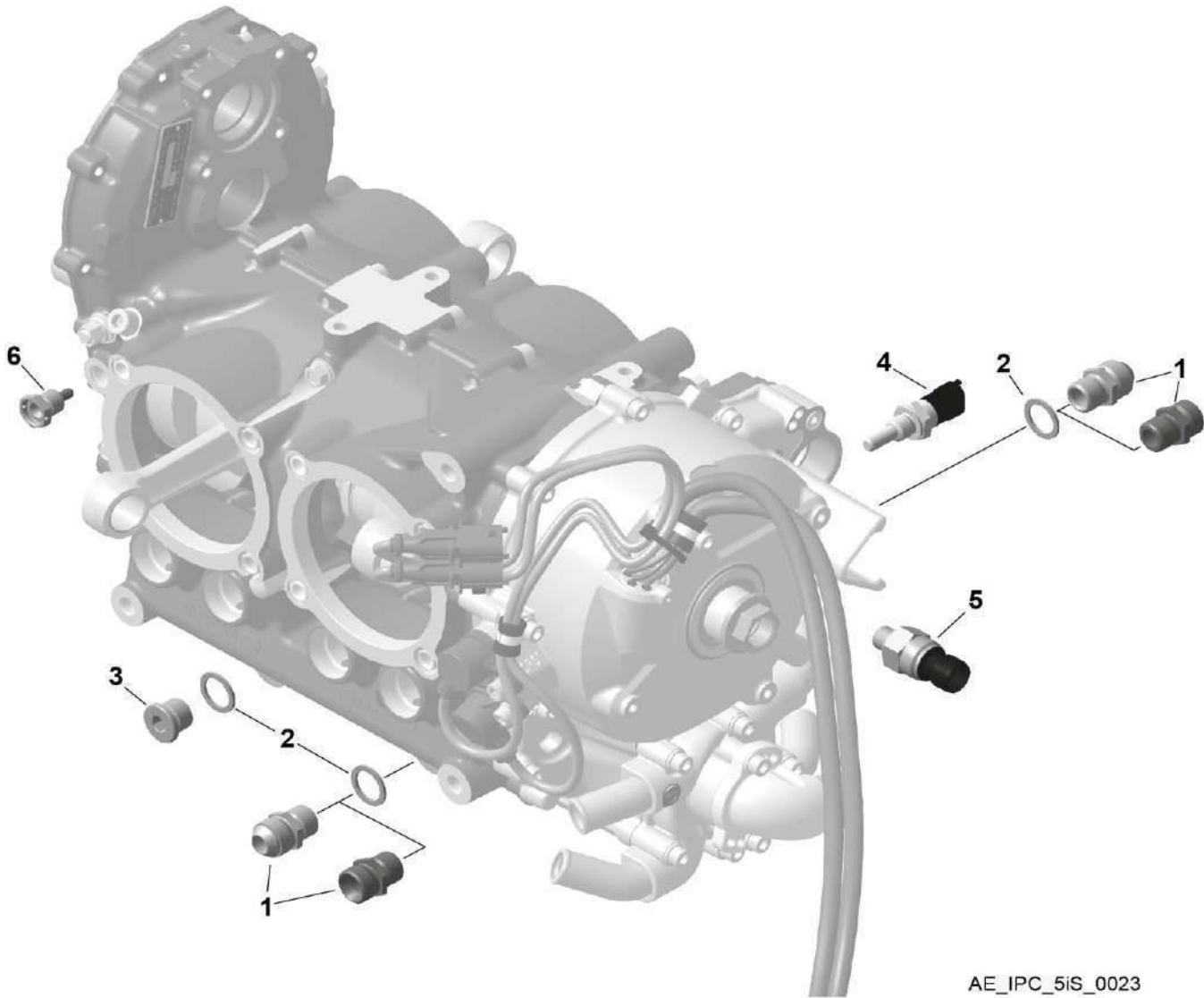
OIL PUMP ASSY., OIL FILTER, OIL TEMPERATURE SENSOR, OIL PRESSURE SENSOR

ITEM#	STATUS	PART#	DESCRIPTION	915 iSc A	915 iS A	915 iSc C24	915 iS C24
32		847664	SPACER 5.2/11/6.4	1	1	1	1
33		941540	ALLEN SCREW - M5X20	1	1	1	1
34		956314	HOSE NIPPLE 4/6	1	1	1	1
35		940876	BANJO BOLT M10X1X23	1	1	1	1
36		950141	SEALING RING A 8X13	2	2	2	2
37		840730	BANJO BOLT M8X1X17	1	1	1	1

This page intentionally left blank

Chapter: 79-20-00

OIL TEMPERATURE SENSOR, OIL PRESSURE SENSOR, OIL SPRAY NOZZLE ASSY.



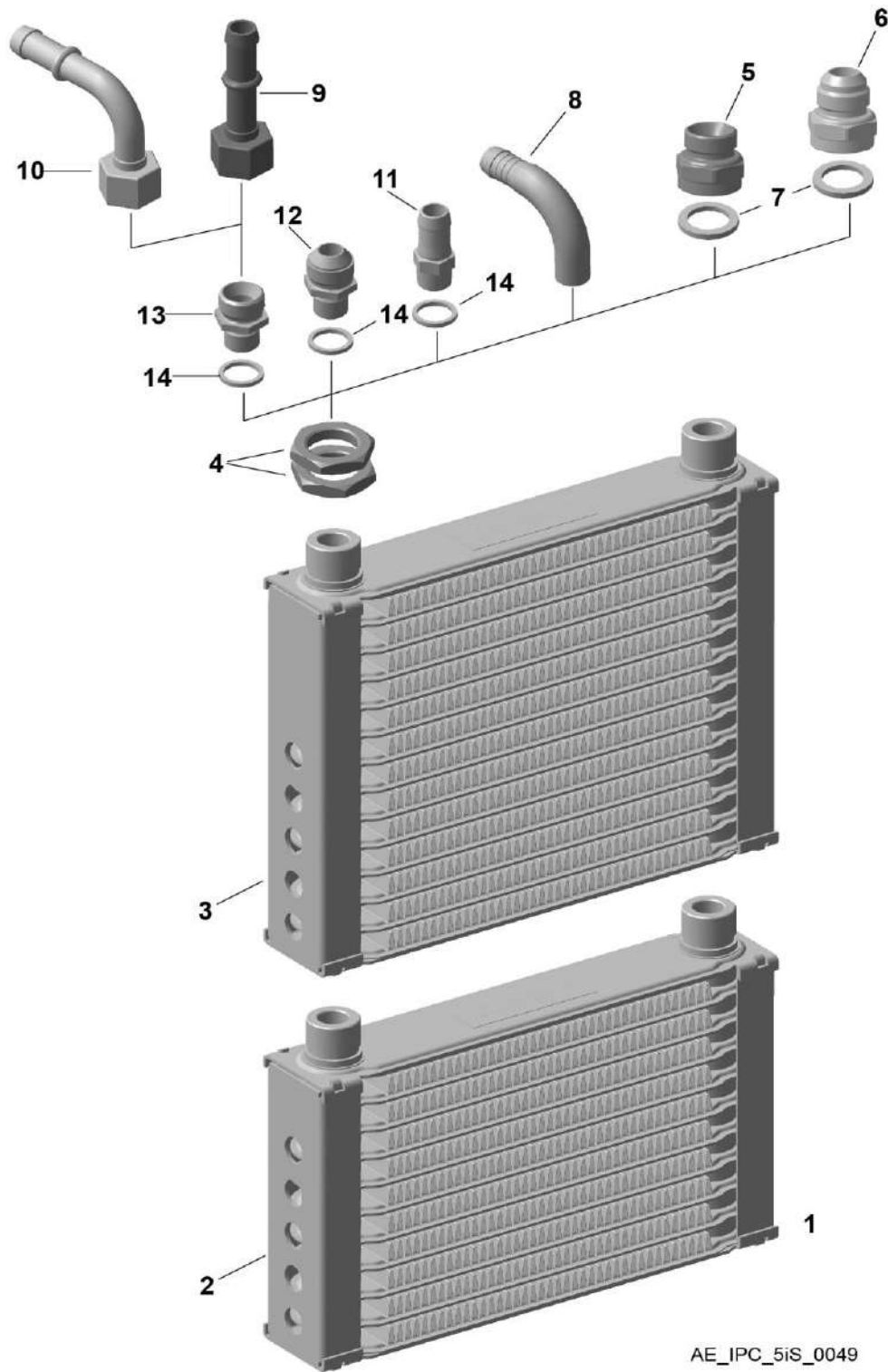
AE_IPC_5iS_0023

Chapter: 79-20-00

OIL TEMPERATURE SENSOR, OIL PRESSURE SENSOR, OIL SPRAY NOZZLE ASSY.

ITEM#	STATUS	PART#	DESCRIPTION	915 iSc A	915 iS A	915 iSc C24	915 iS C24
01		956652	ADAPTER 3/4-16 UNF/ M16 X 1.5 AN-8 optional	2	2	2	2
01		956655	ADAPTER M18X1.5/ M16X1.5	2	2	2	2
02		430622	SEALING RING A 16X22	3	3	3	3
03		240234	PLUG SCREW A M16X1.5	2	2	2	2
04		965537	TEMPERATURE SENSOR	1	1	1	1
05		664365	PRESSURE SENSOR 10	1	1	1	1
06		640866	MAGNETIC DRAIN PLUG M12X1.5 PACKAGED (241785 + packaging)	1	1	1	1

Chapter: 79-20-00
OIL RADIATOR



AE_IPC_5iS_0049

Chapter: 79-20-00
OIL RADIATOR

ITEM#	STATUS	PART#	DESCRIPTION	915 iSc A	915 iS A	915 iSc C24	915 iS C24
01		886013	OIL RADIATOR SET METRIC Ill. no. 2. 4. 11. 14 non certified SI-PAC-014 optional	1	1	0	0
01		886015	OIL RADIATOR SET UNF Ill. no. 2. 4. 12. 14 non certified SI-PAC-014 optional	1	1	0	0
01		886016	OIL RADIATOR SET UNF Ill. no. 3. 4. 12. 14 non certified for 915 iS Series up to S/N 9132271 SI-PAC-014 optional	1	1	0	0
01		886014	OIL RADIATOR SET METRIC Ill. no. 3. 4. 12. 14 non certified SI-PAC-014 optional	1	1	0	0
02		886005	OIL RADIATOR non certified cooling area 234 cm ² SI-PAC-014 optional	1	1	1	1
03		886107	OIL RADIATOR non certified cooling area 300 cm ² SI-PAC-013 optional	1	1	1	1
04		242873	HEX.NUT M22X1.5 H=6 non certified SI-PAC-013 optional	4	4	4	4
04		956645	SCREW CONNECTION SET UNF Ill. no. 4. 12. 14 no certified SI-PAC-013 optional	1	1	0	0

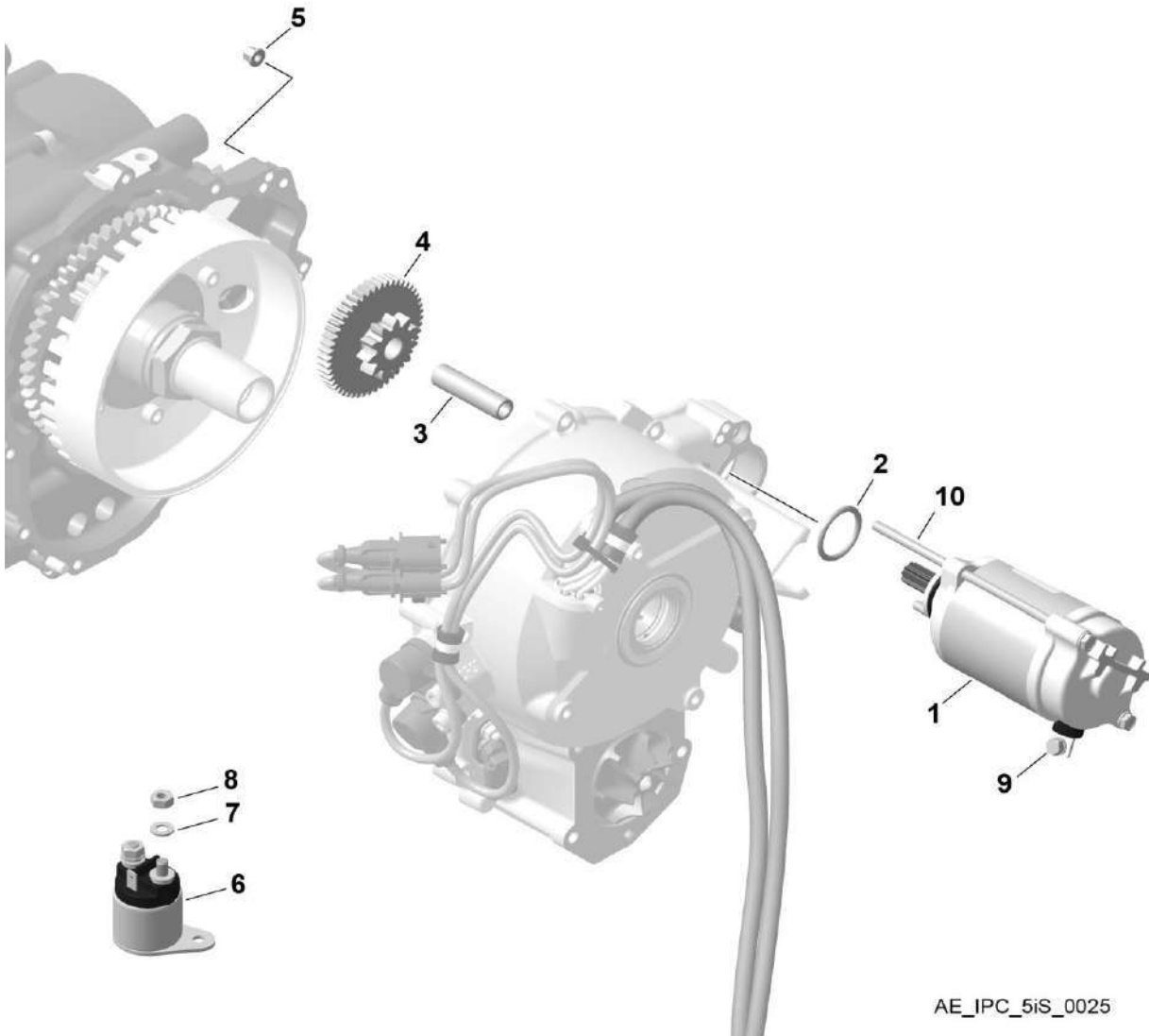
Chapter: 79-20-00
OIL RADIATOR

ITEM#	STATUS	PART#	DESCRIPTION	915 iSc A	915 iS A	915 iSc C24	915 iS C24
05		956685	ADAPTER M22X1.5 / M22X1.5 non certified SI-PAC-013 optional	2	2	2	2
06		956681	ADAPTER 7/8-14 UNF / M22X1.5 non certified AN-10 SI-PAC-013 optional	2	2	2	2
07		250735	GASKET RING A 14X20 non certified SI-PAC-013 optional	2	2	2	2
08		924585	ANGULAR TUBE M14X1.5 non certified as required SI-PAC-013	1	1	0	0
09		956610	HOSE NIPPLE WITH UNION NUT non certified as required SI-PAC-013	1	1	0	0
09		956615	SCREW CONNECTION SET STRAIGHT Ill. no. 9. 13. 14 non certified SI-PAC-013 optional	1	1	0	0
10		956585	SCREW CONNECTION SET BENT Ill. no. 10. 13. 14 non certified SI-PAC-013 optional	1	1	0	0
10		956580	BENT SOCKET ASSY. non certified as required SI-PAC-013	1	1	0	0
11		840461	NIPPLE 13.2/9.5-M14X1.5 non certified SI-PAC-013 optional	2	2	0	0

Chapter: 79-20-00
OIL RADIATOR

ITEM#	STATUS	PART#	DESCRIPTION	915 iSc A	915 iS A	915 iSc C24	915 iS C24
12		956643	ADAPTER 3/4-16 UNF/ M14 X 1.5 non certified AN-8 SI-PAC-013 optional	2	2	0	0
13		956577	ADAPTER M18x1.5/M14x1.5 non certified SI-PAC-013 optional	2	2	0	0
14		230387	GASKET RING 14.2/18/2 non certified SI-PAC-013 optional	2	2	0	0

Chapter: 80-10-00
ELECTRIC STARTER



AE_IPC_5iS_0025

Chapter: 80-10-00
ELECTRIC STARTER

ITEM#	STATUS	PART#	DESCRIPTION	915 iSc A	915 iS A	915 iSc C24	915 iS C24
01		685672	ELECTRIC STARTER ASSY. 24V Ill. no. 1-2 SI-PAC-015	0	0	1	1
01		685672	ELECTRIC STARTER ASSY. 24V Ill. no. 1-2 non certified SI-PAC-015 optional	1	1	0	0
01		685667	ELECTRIC STARTER ASSY. Ill. no. 1-2	1	1	0	0
02		250140	O-RING -24.4X3.1	1	1	1	1
03		837102	IDLE GEAR SHAFT	1	1	1	1
04		834157	IDLE GEAR 50/11 T.	1	1	1	1
05		942311	HEX. NUT M5	2	2	2	2
06		992818	STARTER RELAY ASSY. Ill. no. 6-8 non certified SI-PAC-017	1	1	1	1
07		945831	LOCK WASHER -A6 non certified SI-PAC-017	2	2	2	2
08		242214	HEX.NUT M6 non certified SI-PAC-017	2	2	2	2
09		240457	TERMINAL SCREW M5X8	1	1	1	1
10		241132	SET BOLT M5X143	2	2	2	2

ROTAX®

Engine serial no.

Type of aircraft

Aircraft registration no.

Rotax® authorized distributor

FLYROTAX.COM

® and TM are trademarks of BRP-Rotax GmbH & Co KG.
© 2024 BRP-Rotax GmbH & Co KG. All rights reserved.

