

ROTAX®

ROTAX

ROTAX

ILLUSTRATED PARTS CATALOG

FOR ROTAX® ENGINE TYPE 912 AND 914 SERIES

REF. NO.: IPC-912/914 | PART NO.: 899473 | IPC NO.: 2075 – 2081



WARNING

These technical data and the information embodied therein are the property of BRP-Rotax GmbH & CO KG, Austria, acc, BGBl 1984 no. 448, and shall not, without prior written permission of BRP-Rotax GmbH & Co KG, be disclosed in whole or in part to third parties. This legend shall be included on any reproduction of these data, in whole or in part. The Manual must remain with the engine/aircraft in case of sale.

ROTAX[®] is a trade mark of BRP-Rotax GmbH & Co KG. In the following document the short form of BRP-Rotax GmbH & Co KG = BRP-Rotax is used.

Other product names in this documentation are used purely for ease of identification and may be trademarks of the respective company or owner.

Copyright 2024 © - all rights reserved.

Translation into other languages might be performed in the course of language localization but does not lie within ROTAX[®] scope of responsibility.

In any case the original text in English language and the metric units are authoritative.

BRP-Rotax
ILLUSTRATED PARTS CATALOG

Chapter: LEP
LIST OF EFFECTIVE PAGES

Each new revision to the Illustrated Parts Catalog will have a new List of Effective Pages.

Chapter	Page	Date
	Title page	
LEP	1	December 2024
	2	December 2024
	3	December 2024
TOA	1	December 2024
	2	December 2024
	3	December 2024
	4	December 2024
INTRO	1	December 2024
	2	December 2024
	3	December 2024
	4	December 2024
	6	December 2024
	7	December 2024
	8	December 2024
	8	December 2024
TABLE OF CONTENT	1	December 2024
	2	December 2024
	3	December 2024
00-00-00	1	December 2024
	2	December 2024
	3	December 2024
	4	December 2024
	5	December 2024
	6	December 2024
	7	December 2024
	8	December 2024
	9	December 2024
	10	December 2024
	11	December 2024
	12	December 2024

Chapter	Page	Date
	13	December 2024
	14	December 2024
24-20-00	1	December 2024
	2	December 2024
	3	December 2024
	4	December 2024
24-30-00	1	December 2024
	2	December 2024
	3	December 2024
	4	December 2024
37-10-00	1	December 2024
	2	December 2024
	3	December 2024
	4	December 2024
61-20-00	1	December 2024
	2	December 2024
	3	December 2024
	4	December 2024
71-20-00	1	December 2024
	2	December 2024
	3	December 2024
	4	December 2024
72-10-00	1	December 2024
	2	December 2024
	3	December 2024
	4	December 2024
	5	December 2024
	6	December 2024
	6	December 2024
	6	December 2024
72-20-00	1	December 2024
	2	December 2024
	3	December 2024
	4	December 2024

BRP-Rotax
ILLUSTRATED PARTS CATALOG

Chapter	Page	Date
	5	December 2024
	6	December 2024
	7	December 2024
	8	December 2024
73-00-00	1	December 2024
	2	December 2024
	3	December 2024
	4	December 2024
	5	December 2024
	6	December 2024
	7	December 2024
	8	December 2024
	9	December 2024
	10	December 2024
	11	December 2024
	12	December 2024
	13	December 2024
	14	December 2024
	15	December 2024
	16	December 2024
73-10-00	1	December 2024
	1	December 2024
	2	December 2024
	3	December 2024
	4	December 2024
	5	December 2024
	6	December 2024
	7	December 2024
	8	December 2024
	9	December 2024
	10	December 2024
	11	December 2024
	12	December 2024
	13	December 2024
	14	December 2024

Chapter	Page	Date
	15	December 2024
	16	December 2024
74-20-00	1	December 2024
	2	December 2024
	3	December 2024
	4	December 2024
75-20-00	1	December 2024
	2	December 2024
	3	December 2024
	4	December 2024
	5	December 2024
	6	December 2024
	7	December 2024
	8	December 2024
	9	December 2024
	10	December 2024
	11	December 2024
	12	December 2024
76-10-00	1	December 2024
	2	December 2024
76-20-00	1	December 2024
	2	December 2024
78-10-00	1	December 2024
	2	December 2024
	3	December 2024
	4	December 2024
	5	December 2024
	6	December 2024
	7	December 2024
	8	December 2024
	9	December 2024
	10	December 2024
	11	December 2024
	12	December 2024
79-20-00	1	December 2024

BRP-Rotax
ILLUSTRATED PARTS CATALOG

Chapter	Page	Date
80-10-00	2	December 2024
	3	December 2024
	4	December 2024
	5	December 2024
	6	December 2024
	7	December 2024
	8	December 2024
	9	December 2024
	10	December 2024
	11	December 2024
	12	December 2024
	13	December 2024
	14	December 2024
	15	December 2024
	16	December 2024
	17	December 2024
	18	December 2024
	1	December 2024
	2	December 2024
	3	December 2024
	4	December 2024
	5	December 2024
	6	December 2024
		Back page

BRP-Rotax
ILLUSTRATED PARTS CATALOG

Chapter: TOA
TABLE OF AMENDMENTS

Approval*

The technical content of this document is approved under the authority of the DOA ref. EASA.21.J.048.

Edition 05, Revision 00 January 2024 Obsolete with Revision 01, which is a complete revision
Edition 05, Revision 01 December 2024

Rev. no.	Chapter	Page	Date of change	Remark for approval	Date of approval from authorities	Date of inclusion	Signature
1	LEP	all	December 2024	DOA*			
1	TOA	all	December 2024	DOA*			
1	INTRO	all	December 2024	DOA*			
1	TABLE OF CONTENT	all	December 2024	DOA*			
1	00-00-00	all	December 2024	DOA*			
1	24-20-00	all	December 2024	DOA*			
1	24-30-00	all	December 2024	DOA*			
1	37-10-00	all	December 2024	DOA*			
1	61-20-00	all	December 2024	DOA*			
1	71-20-00	all	December 2024	DOA*			
1	72-10-00	all	December 2024	DOA*			
1	72-20-00	all	December 2024	DOA*			
1	73-00-00	all	December 2024	DOA*			
1	73-10-00	all	December 2024	DOA*			
1	74-20-00	all	December 2024	DOA*			
1	75-20-00	all	December 2024	DOA*			
1	76-10-00	all	December 2024	DOA*			
1	76-20-00	all	December 2024	DOA*			
1	78-10-00	all	December 2024	DOA*			
1	79-20-00	all	December 2024	DOA*			

BRP-Rotax
ILLUSTRATED PARTS CATALOG

Rev. no.	Chapter	Page	Date of change	Remark for approval	Date of approval from authorities	Date of inclusion	Signature
1	80-10-00	all	December 2024	DOA*			

BRP-Rotax
ILLUSTRATED PARTS CATALOG

Summary of amendments

Summary of the relevant amendments in this context, but without any claim to completeness.

Rev. no.	Chapter	Page	Date of change	Comment
1	00-00-00	2 11 12-13	December 2024	Change of item 09 Change of image Change of item 10, 11, 19
1	24-20-00	16	December 2024	Change of item 07, 15
1	24-30-00	20	December 2024	Change of item 05, 11, 17
1	37-10-00	24	December 2024	Change of item 11
1	61-20-00	27	December 2024	Change of item 21, 22
1	71-20-00	30	December 2024	Change of item 01, 05
1	72-10-00	33 34-37	December 2024	Change of image Change of item order, change of item 08, 09, 12, 23, 29, 43
1	72-20-00	42 44	December 2024	Change of item 08, 12 Change of item 03, 04, 17
1	73-00-00	47 48 49 51-61 52 54-55 58 59 60 61	December 2024	Change of image Change of image Change of item 01, 02, 06-08 (text) Change of title Change of item 01, 07, 12 Change of item 61, 73 Change of item 01, 05 Change of item 42 Change of item 53, 54, 58 Change of item 71, 72, 73, 74
1	73-10-00	64 70 75	December 2024	Change of item 02, 03, 18, 19, 20 Change of item 25, 29, 31 Change of item 48, 51
1	74-20-00	81 82	December 2024	Change of item 20, 42 Change of item 64, 65, 66
1	75-20-00	84 85 89 93	December 2024	Change of item 01, 09, 11 Change of item 28, 32 Change of item 18 Change of item 11
1	76-10-00	96	December 2024	Change of item 16
1	76-20-00	98	December 2024	Change of item 01, 05, 06, 07
1	78-10-00	99 100-102	December 2024	Change of image Change of item order

BRP-Rotax
ILLUSTRATED PARTS CATALOG

Rev. no.	Chapter	Page	Date of change	Comment
1	79-20-00	100-102	December 2024	Change of item 01, 02, 03, 13, 14
		103		Change of image
		104-105		Change of item order
		104-105		Change of item 01, 02, 03, 04, 05, 06, 07, 08, 09
		108		Change of item 12
		109-110		Change of item 30, 31, 35, 36, 37, 38, 52, 53
1	79-20-00	111	December 2024	Change of image
		113		Change of image
		117		Change of image
		121		Change of image
		122		Change of item 07, 08 (deleted)
		124-127		Change of item order
1	80-10-00	-	December 2024	No changes

Chapter: INTRO
INTRO

TOPICS IN THIS CHAPTER

GENERAL NOTE	9
INTRODUCTION.....	10
PARTS ORDER	10
ENGINE VIEW AND DENOMINATION OF THE CYLINDERS	12
REPEATING SYMBOLS	14
STRUCTURE	14

GENERAL NOTE

- Modification** The information and components-/system descriptions contained in this Illustrated Parts Catalog (IPC) are correct at the time of publication. BRP-Rotax, however, maintains a policy of continuous improvement of its products without imposing upon itself any obligation to install them on its products previously manufactured. BRP-Rotax reserves the right at any time to discontinue or change specification, designs, features, models or equipment without incurring obligation.
- Note** This Illustrated Parts Catalog (IPC) is not an offer to sell parts, but a catalog illustrating the parts available at ROTAX® authorized distributors. BRP-Rotax reserves the right to deliver the components (crankshaft, crankcase, special tools etc.) only to organizations with respective qualifications, and thus, these special components will not be listed in this IPC.
- Color variations** **Color variations on unpainted castings:**
- On unpainted surfaces (i.e. aluminium cases) minor color variations (i.e. grey tone on aluminum surface) are possible due to the manufacturing process. Such possible color variations do not affect the quality of the product and are no reason for rejection - even a color variation on castings in differing areas is acceptable.
- Revision** This Illustrated Parts Catalog (IPC) will be revised as required.

NOTE

Date of issue is printed on cover and bottom end of page.

BRP-Rotax
ILLUSTRATED PARTS CATALOG

Engine serial number When making inquiries or ordering parts, always indicate the engine serial number, as the engine manufacturer might make modifications to the engine in the course of product improvement. The engine serial number is on top of the ignition housing.

BRP-Rotax
ILLUSTRATED PARTS CATALOG

ENGINE VIEW AND DENOMINATION OF THE CYLINDERS

PTO	power take off side
MAG	magneto side
Cyl. 1	Cylinder 1
Cyl. 2	Cylinder 2
Cyl. 3	Cylinder 3
Cyl. 4	Cylinder 4
1	Engine serial number
A	points of attachment (for engine transport) – centre of gravity

BRP-Rotax
ILLUSTRATED PARTS CATALOG

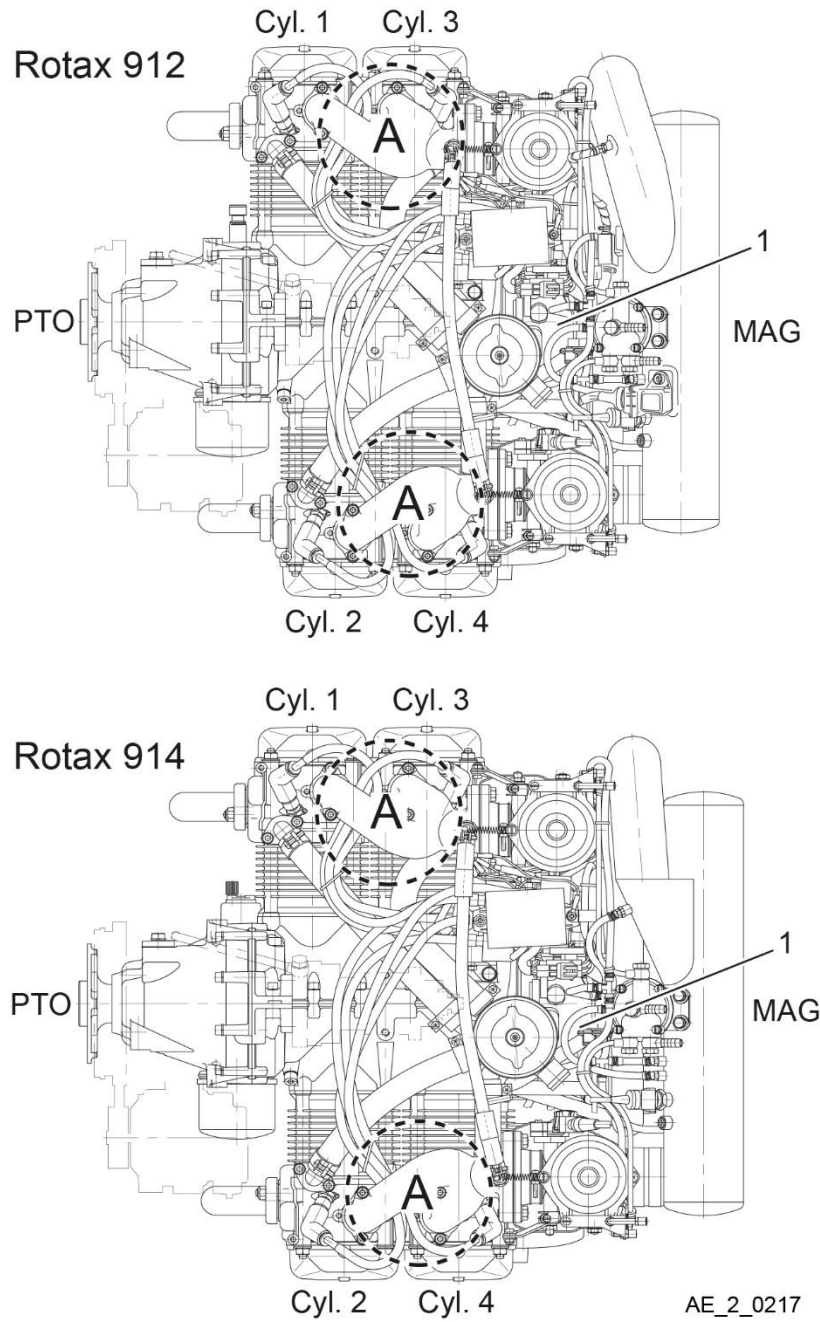


Figure 1.2: Engine

REPEATING SYMBOLS

NOTE

Indicates supplementary information which may be needed to fully complete or understand an instruction.

XXX In illustrations this sign indicates the position of the current serial number (e. g. on crankshaft, camshaft, etc.).
In descriptions (in part no. column) this sign indicates, that this part has no part number.

STRUCTURE

Exploded view

Each section starts with an exploded view of the engine components on the left side. The corresponding heading and the listing of the parts is on the right side and the following pages.

The numbering on the exploded view is in the sequence of assembly as good as practicable.

For prevention of errors and to simplify exchange we tried best to list the part number of each component only once. But for better understanding components are frequently depicted without being listed, but referred to a respective section, if considered necessary.

Engine-column

For each engine type the right amount of spare parts per engine is listed in the relevant engine-column.

If the quantity is in brackets, it indicates that the part is not absolutely necessary but optional on the respective engine type.

A small letter added to the number refers to information at the end of the section. No number in the column parts per assembly indicates that this part is not planned for the respective engine.

Abbreviations

Find the following statements in the columns:

N	newly introduced part
AR	as required

BRP-Rotax

ILLUSTRATED PARTS CATALOG

Chapter: 24-20-00
 IGNITION HOUSING, STATOR, CRANKSHAFT
 POSITION SENSOR

ITEM#	STATUS	PART#	DESCRIPTION	915 iS A ASTM	915 iSc A	915 iS C24 ASTM	915 iSc C24
01	N	912249	IGNITION HOUSING ASSY.	1	1	0	0
01		912248	IGNITION HOUSING ASSY. Ill. no.5 as required still valid not available	1	1	0	0
02	XXX		O-RING 5x2 see chapter 72-20-00	0	0	3	3
03			HEX.SCREW M8x20 non certified SI-PAC-001	2	2	0	0

newly introduced

part information

parts per engine

no part number

not certified
accessory parts

AE_IPC_2iS_0006

Figure 1.3: TYPICAL

DESCRIPTION	PAGE
Chapter: 00-00-00 REPAIR TOOLS (All Repair tools are non-certified parts)	1
Chapter: 00-00-00 REPAIR TOOLS (All Repair tools are non-certified parts)	3
Chapter: 00-00-00 REPAIR TOOLS (All Repair tools are non-certified parts)	5
Chapter: 00-00-00 LUBRICANTS (All Lubricants are non-certified parts)	7
Chapter: 00-00-00 DOCUMENTATION, LABELS, GASKET SETS	11
Chapter: 24-20-00 MAGNETO-GENERATOR, PICK UP, RECTIFIER REGULATOR	15
Chapter: 24-30-00 EXTERNAL ALTERNATOR	19
Chapter: 37-10-00 VACUUM PUMP WITH DRIVE	23
Chapter: 61-20-00 HYDR. GOVERNOR ARRANGEMENT FOR CONSTANT SPEED PROPELLER	25
Chapter: 71-20-00 ENGINE SUSPENSION FRAME	29
Chapter: 72-10-00 PROPELLER GEAR ASSY.	33
Chapter: 72-20-00 CRANKCASE	39
Chapter: 72-20-00 CRANKSHAFT, PISTON, CYLINDER, SPRANG CLUTCH	41
Chapter: 72-20-00 CYLINDERHEAD, VALVE TRAIN, VALVE COVER	43
Chapter: 73-00-00 BING CONSTANT SPEED DEPRESSION CARBURETOR	47
Chapter: 73-00-00 PARTS PER CARBURETOR 912 SERIES	51

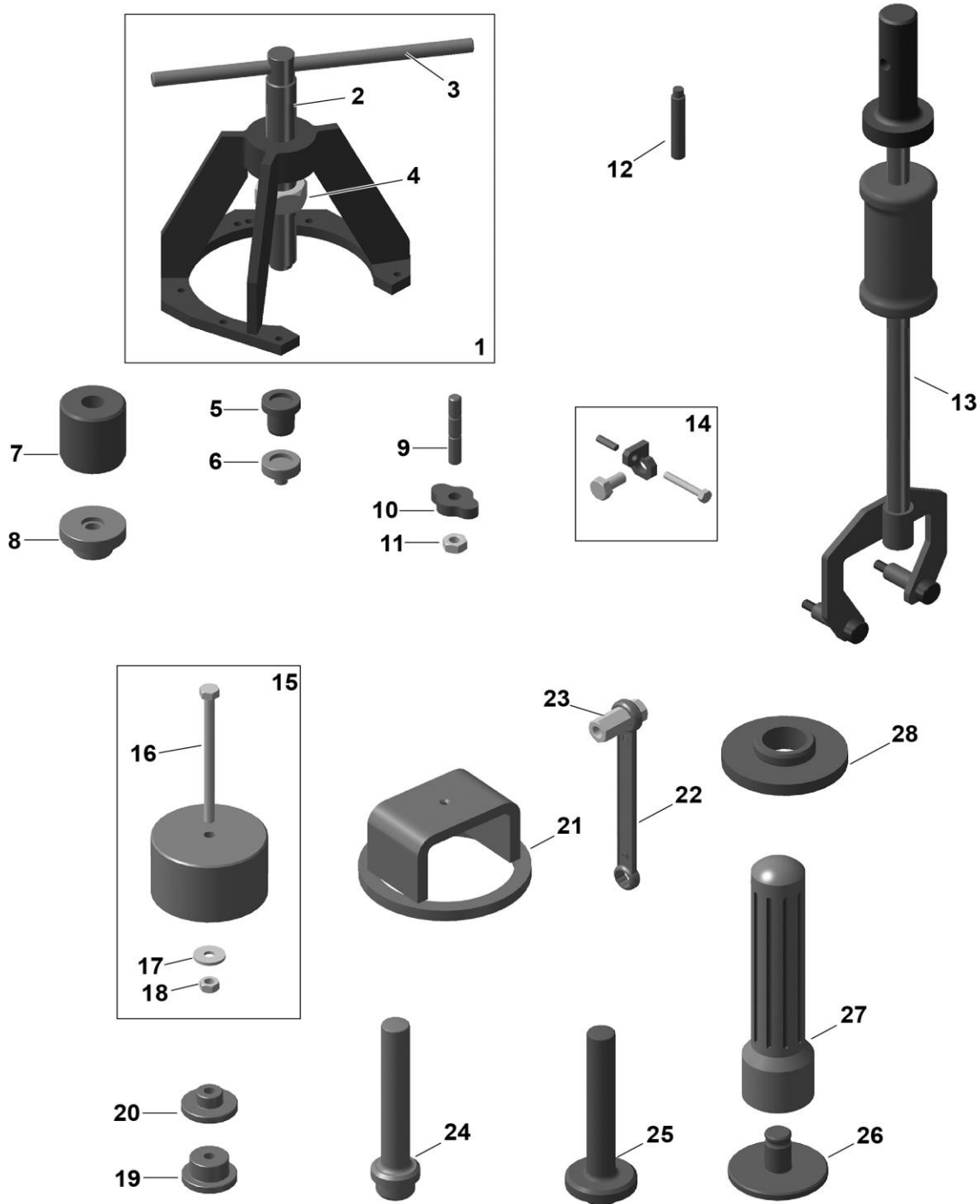
© **BRP-Rotax**
ILLUSTRATED PARTS CATALOG

DESCRIPTION	PAGE
Chapter: 73-00-00 PARTS PER CARBURETOR 914 SERIES	57
Chapter: 73-10-00 INTAKE MANIFOLD, COMPENSATING TUBE ASSY., RUBBER FLANGE ASSY.	63
Chapter: 73-10-00 FUEL PUMP ASSY., FUEL HOSE ASSY., AIRBOX ASSY.	67
Chapter: 73-10-00 AIRBOX ASSY., 3-WAY SOLENOID VALVE ASSY., FUEL PRESSURE REGULATOR ASSY.	73
Chapter: 73-10-00 INSTRUMENTS, AIR FILTER	77
Chapter: 74-20-00 DOUBLE IGNITION COIL ASSY., SMD-ELECTRONIC MODULE	79
Chapter: 75-20-00 WATER PUMP WITH DRIVE	83
Chapter: 75-20-00 EXPANSION TANK WITH HOSES AND CONNECTIONS	87
Chapter: 75-20-00 COOLING AIR BAFFLE, OVERFLOW BOTTLE WITH CAP, RADIATOR	91
Chapter: 76-10-00 TURBOCHARGER CONTROL UNIT	95
Chapter: 76-20-00 FLYDAT, SENSOR SET	97
Chapter: 78-10-00 EXHAUST SYSTEM	99
Chapter: 78-10-00 EXHAUST SYSTEM 912 SERIES	103
Chapter: 78-10-00 MUFFLER, TURBOCHARGER, OIL SUMP CONTAINER	107
Chapter: 79-20-00 OIL TANK	111
Chapter: 79-20-00 OIL PUMP ASSY., OIL FILTER, OIL TEMPERATURE SENSOR, OIL PRESSURE SENSOR 912 SERIES	113

© **BRP-Rotax**
ILLUSTRATED PARTS CATALOG

DESCRIPTION	PAGE
Chapter: 79-20-00 OIL PUMP ASSY., OIL FILTER, OIL TEMPERATURE SENSOR, OIL PRESSURE SENSOR 914 SERIES	117
Chapter: 79-20-00 MAGNETIC DRAIN PLUG, PLUG SCREW	121
Chapter: 79-20-00 OIL RADIATOR	123
Chapter: 80-10-00 ELECTRIC STARTER, STARTER RELAY	129
Chapter: 80-10-00 ELECTRIC STARTER, STARTER RELAY	131
Chapter: 80-10-00 E-STARTER SINGLE PARTS	133

Chapter: 00-00-00
REPAIR TOOLS (All Repair tools are non-certified parts)



AE_IPC_2_4_0046

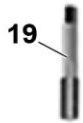
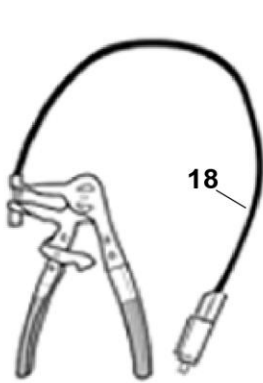
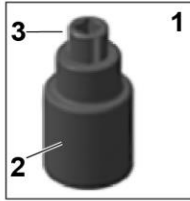
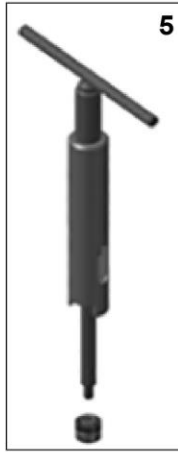
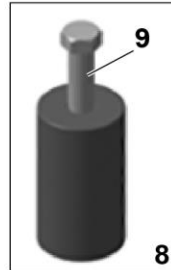
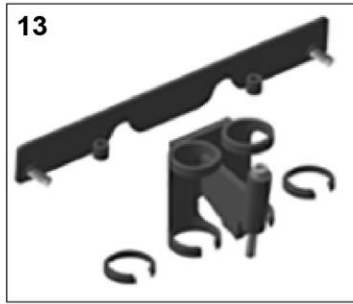
Chapter: 00-00-00

REPAIR TOOLS (All Repair tools are non-certified parts)

ITEM#	STATUS	PART#	DESCRIPTION	912 A	912 F	912 S	912 UL	912 ULS	914 F	914 UL
01		877615	EXTRACTOR ASSY. Ill. no. 1-4	1	1	1	1	1	1	1
02		877580	PULL-IN SPINDLE M24X1.5	1	1	1	1	1	1	1
03		276155	BOLT 12X250	1	1	1	1	1	1	1
04		842585	HEX.SCREW M24X1.5 - 19MM	1	1	1	1	1	1	1
05		877605	PRESS-OUT MUSHROOM	1	1	1	1	1	1	1
06		877600	PRESS-OUT MUSHROOM	1	1	1	1	1	1	1
07		877594	PRESS IN JIG	1	1	1	1	1	1	1
08		877590	PRESS-IN MUSHROOM	1	1	1	1	1	1	1
09		XXX	STUD M10X45/20 not available	1	1	1	1	1	1	1
10		877561	PULL-OUT PLATE	1	1	1	1	1	1	1
11		242092	HEX.NUT M10	1	1	1	1	1	1	1
12		240880	LOCKING PIN	1	1	1	1	1	1	1
13		877660	PULLER ASSY.	1	1	1	1	1	1	1
14		877540	PUSHING JIG ASSY.	1	1	1	1	1	1	1
15		876489	PULLER ASSY. Ill. no. 15-18	1	1	1	1	1	1	1
16		941730	HEX.SCREW M6X80	1	1	1	1	1	1	1
17		827305	WASHER 6.2/18/2	1	1	1	1	1	1	1
18		242214	HEX.NUT M6	1	1	1	1	1	1	1
19		877597	PRESS-IN MUSHROOM	1	1	1	1	1	1	1
20		877595	PRESS-IN MUSHROOM	1	1	1	1	1	1	1
21		876885	MOUNTING YOKE	1	1	1	1	1	1	1
22		876470	RING SPANNER 10/13	1	1	1	1	1	1	1
23		242661	DISTANCE NUT M8X33	1	1	1	1	1	1	1
24		276332	INSERTION JIG	1	1	1	1	1	1	1
25		877276	INSERTION JIG	1	1	1	1	1	1	1
26		876518	INSERTION JIG	1	1	1	1	1	1	1
27		877650	HANDLE FOR INSERTION JIG	1	1	1	1	1	1	1
28		877320	PRESS-IN RING	1	1	1	1	1	1	1

Chapter: 00-00-00

REPAIR TOOLS (All Repair tools are non-certified parts)



AE_IPC_2_4_0047

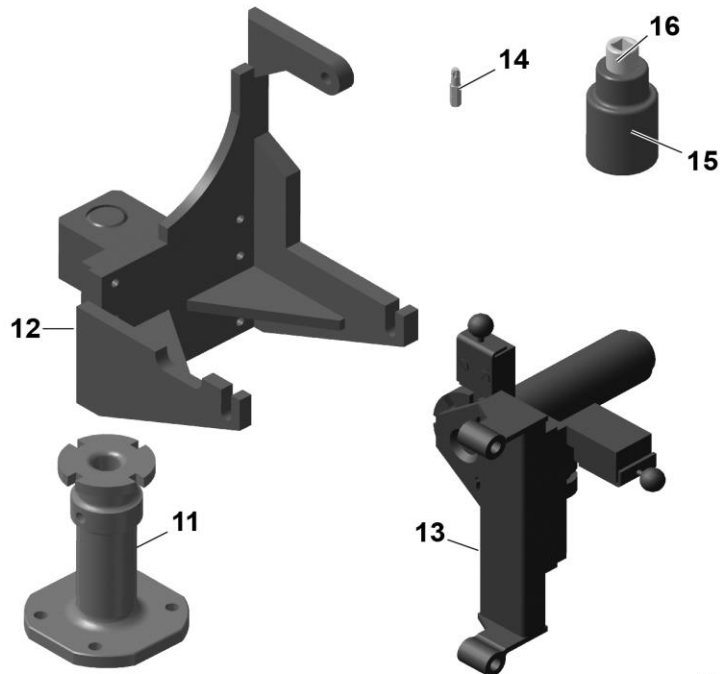
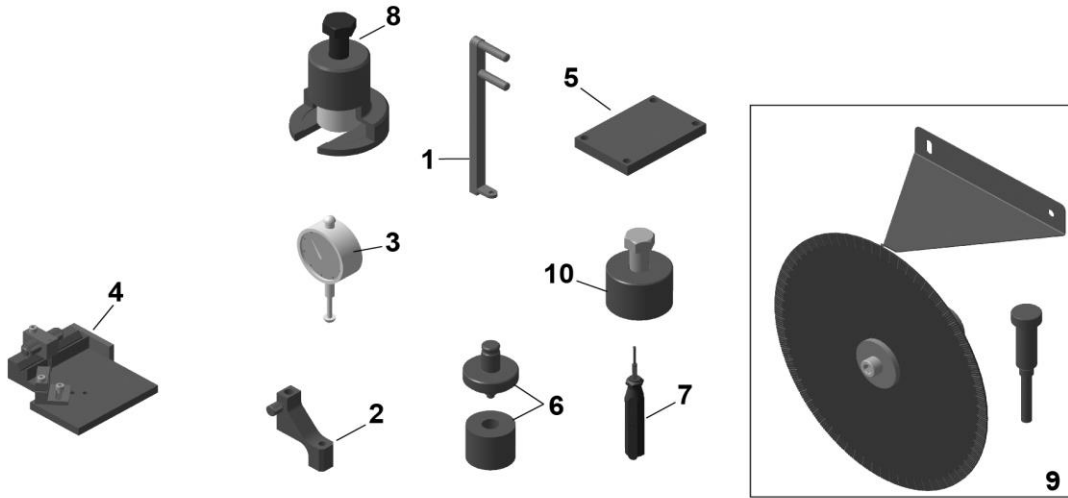
Chapter: 00-00-00

REPAIR TOOLS (All Repair tools are non-certified parts)

ITEM#	STATUS	PART#	DESCRIPTION	912 A	912 F	912 S	912 UL	912 ULS	914 F	914 UL
01		877445	SOCKET WRENCH ASSY. 41X12.5	1	1	1	1	1	1	1
02		877440	SOCKET WRENCH A/F 41X20	1	1	1	1	1	1	1
03		877460	REDUCING SOCKET 3/4 inch - 1/2 inch	1	1	1	1	1	1	1
04		877802	CIRCLIP INSTALLATION TOOL	1	1	1	1	1	1	1
05		877091	PISTON PIN EXTRACTOR ASSY.	1	1	1	1	1	1	1
06		976380	MONOHOOK CIRCLIP REMOVER	1	1	1	1	1	1	1
07		876967	PISTON RING SPANNER 84 MM	0	0	1	0	1	0	0
07		876978	PISTON RING SPANNER 79.5 MM	1	1	0	1	0	1	1
08		877375	PULLER ASSY. Ill. no. 8-9	1	1	1	1	1	1	1
09		940755	HEX. SCREW M16X1.5X150 not available	1	1	1	1	1	1	1
10		877417	PROTECTION MUSHROOM	1	1	1	1	1	1	1
11		877790	ADAPTER RING	1	1	1	1	1	1	1
12		877380	VALVE SPRING MOUNTING DEVICE	1	1	1	1	1	1	1
13		877387	VALVE SPRING LOADING JIG ASSY.	1	1	1	1	1	1	1
14		877620	OIL FILTER WRENCH	1	1	1	1	1	1	1
15		877295	IMPELLER WRENCH	1	1	1	1	1	1	1
16		877258	PRESS IN JIG	1	1	1	1	1	1	1
17		876510	INSERTION JIG	1	1	1	1	1	1	1
18		877840	SPRING CLAMP PLIERS	1	1	1	1	1	1	1
19		877570	TAPPING DRILL M18X1	1	1	1	1	1	1	1
20		877670	CUTTING TOOL still valid	1	1	1	1	1	1	1
20		276275	OIL FILTER CUTTING TOOL PACKAGED	1	1	1	1	1	1	1
21		877110	GUIDE SLEEVE	1	1	1	1	1	1	1
22		877270	INSERTION JIG	1	1	1	1	1	1	1
23		877360	GUIDE SLEEVE	1	1	1	1	1	1	1
24		877730	FLOAT LEVEL GAUGE ASSY	1	1	1	1	1	1	1

Chapter: 00-00-00

REPAIR TOOLS (All Repair tools are non-certified parts)



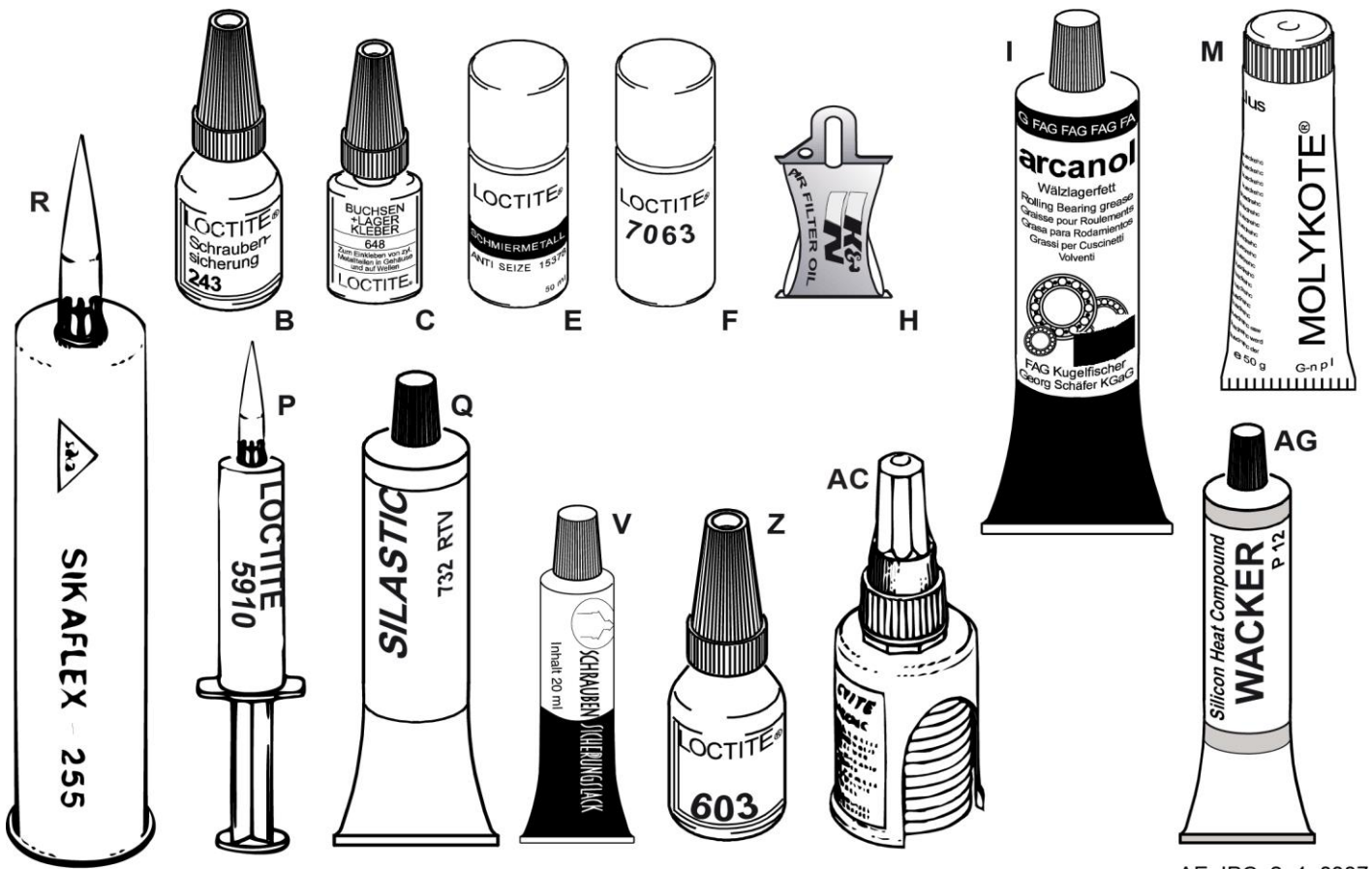
AE_IPC_2_4_0048

Chapter: 00-00-00

REPAIR TOOLS (All Repair tools are non-certified parts)

ITEM#	STATUS	PART#	DESCRIPTION	912 A	912 F	912 S	912 UL	912 ULS	914 F	914 UL
01		877690	CHECK LEVER	1	1	1	1	1	1	1
02		877710	DIAL GAUGE ADAPTER ASSY	1	1	1	1	1	1	1
03		876950	PRECISION DIAL GAUGE	1	1	1	1	1	1	1
04		976140	DIAL GAUGE ADAPTER ASSY.	1	1	1	1	1	1	1
05		877263	CYLINDER ALIGNING TOOL	1	1	1	1	1	1	1
06		877680	INSERTION JIG WITH SLEEVE	1	1	1	1	1	1	1
07		877500	PIN RELEASE TOOL	1	1	1	1	1	1	1
08		877190	PRESS-IN TOOL	1	1	1	1	1	1	1
09		877520	PROTRACTOR CRANKSHAFT DISTORTION INSP.	1	1	1	1	1	1	1
10		877377	PULLER ASSY.	1	1	1	1	1	1	1
11		877930	TRESTLE SUPPORT	1	1	1	1	1	0	0
12		877245	TRESTLE ADAPTER ASSY.	1	1	1	1	1	1	1
13		877241	TRESTLE ADAPTER ASSY.	1	1	1	1	1	1	1
14		877890	TORX-BIT T40	1	1	1	1	1	1	1
15		877450	SOCKET WRENCH 46X20	1	1	1	1	1	1	1
16		877465	REDUCING SOCKET 1-3/4	1	1	1	1	1	1	1

Chapter: 00-00-00
LUBRICANTS (All Lubricants are non-certified parts)



AE_IPC_2_4_0007

Chapter: 00-00-00
LUBRICANTS (All Lubricants are non-certified parts)

ITEM#	STATUS	PART#	DESCRIPTION	912 A	912 F	912 S	912 UL	912 ULS	914 F	914 UL
01		897651	LOCTITE 243 BLUE. 10 CC. Ill. no. B as required	1	1	1	1	1	1	1
02		899788	LOCTITE 648 GREEN. 5 CC Ill. no. C as required	1	1	1	1	1	1	1
03		297438	LOCTITE ANTI SEIZE 8151 400 ML Ill. no. E as required	1	1	1	1	1	1	1
03		297434	LOCTITE ANTI SEIZE 8151 50 ML. Ill. no. E still valid as required	1	1	1	1	1	1	1
04		XXX	LOCTITE 7063 Ill. no. F not available as required	1	1	1	1	1	1	1
05		897870	INTAKE FILTER OIL 14.8 ML. Ill. no. H as required	1	1	1	1	1	1	1
06		897330	LITHIUM-BASE GREASE. 250 GR.. Ill. no. I as required	1	1	1	1	1	1	1
07		297433	MOLYKOTE G-N. SLIDE PASTE 100 GR. Ill. no. M as required	1	1	1	1	1	1	1
08		XXX	ENGINE OIL Ill. no. O not available as required	1	1	1	1	1	1	1
09		899791	LOCTITE 5910. 50 ML Ill. no. P as required	1	1	1	1	1	1	1
10		297386	SILASTIC 732 RTV. 100 GR. Ill. no. Q as required	1	1	1	1	1	1	1
11		297711	PU-GLUE 310 ML Ill. no. R as required	1	1	1	1	1	1	1

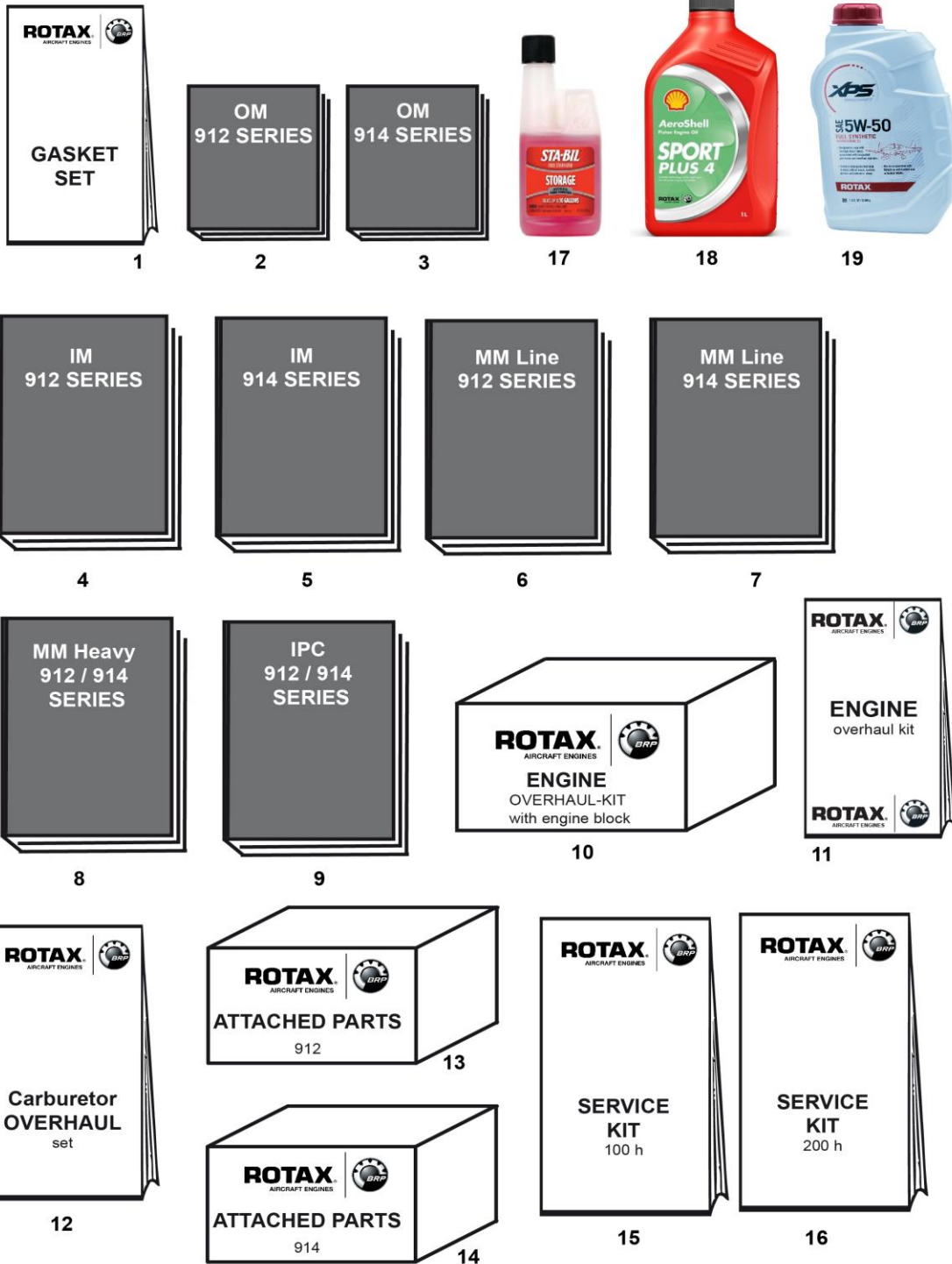
Chapter: 00-00-00

LUBRICANTS (All Lubricants are non-certified parts)

ITEM#	STATUS	PART#	DESCRIPTION	912 A	912 F	912 S	912 UL	912 ULS	914 F	914 UL
12		898570	LOCKING PAINT 20 ML Ill. no. V not available as required	1	1	1	1	1	1	1
13		899789	LOCTITE 603 GREEN. 10 CC. Ill. no. Z as required	1	1	1	1	1	1	1
14		897186	SILICONE HEAT COMPOUND 150G Ill. no. AG as required	1	1	1	1	1	1	1
15		899796	LOCTITE 577 YELLOW 50 CC Ill. no. AC as required	1	1	1	1	1	1	1

This page intentionally left blank

Chapter: 00-00-00
DOCUMENTATION, LABELS, GASKET SETS



AE_IPC_2_4_0008

Chapter: 00-00-00
DOCUMENTATION, LABELS, GASKET SETS

ITEM#	STATUS	PART#	DESCRIPTION	912 A	912 F	912 S	912 UL	912 ULS	914 F	914 UL
01		996946	GASKET SET CARBURETOR Gasket set for both carburetors	1	1	1	1	1	1	1
01		996944	GASKET SET for engines without carburetor gasket set	1	1	1	1	1	1	1
02		899700	OPERATORS-MANUAL 912	1	1	1	1	1	0	0
03		899706	OPERATORS-MANUAL	0	0	0	0	0	1	1
04		898644	INSTALLATION-MANUAL 912 SERIE	1	1	1	1	1	0	0
05		897818	INSTALLATION MANUAL 914 SERIES	0	0	0	0	0	1	1
06		899196	MAINTENANCE-MANUAL 912 (LINE)	1	1	1	1	1	0	0
07		899608	MAINTENANCE-MANUAL	0	0	0	0	0	1	1
08		899195	MAINTENANCE-MANUAL HEAVY 912/914	1	1	1	1	1	1	1
09		899473	ILLUSTRATED PARTS CATALOG 912/914	1	1	1	1	1	1	1
10		XXX	OVERHAUL-KIT 912-100HP WITH ENGINE BLOCK see OHM	0	0	1	0	1	0	0
10		XXX	OVERHAUL-KIT 914 WITH ENGINE BLOCK see OHM	0	0	0	0	0	1	1
10		XXX	OVERHAUL-KIT 912-80HP WITH ENGINE BLOCK see OHM not available	1	1	0	1	0	0	0
11		XXX	OVERHAUL-KIT 912-100HP see OHM	0	0	1	0	1	0	0
11		XXX	OVERHAUL-KIT 912-80HP see OHM	1	1	0	1	0	0	0
11		XXX	OVERHAUL-KIT 914 see OHM	0	0	0	0	0	1	1
12		889534	CARBURETOR OVERHAUL SET Maintenance set for 1 carburetors with gasket viton	2	2	2	2	2	2	2
13		881056	ATTACHED PARTS 912 loose parts enclosed inside of new engine crate not available	1	1	1	1	1	0	0
14		881057	ATTACHED PARTS 914 loose parts enclosed inside of new engine crate not available	0	0	0	0	0	1	1

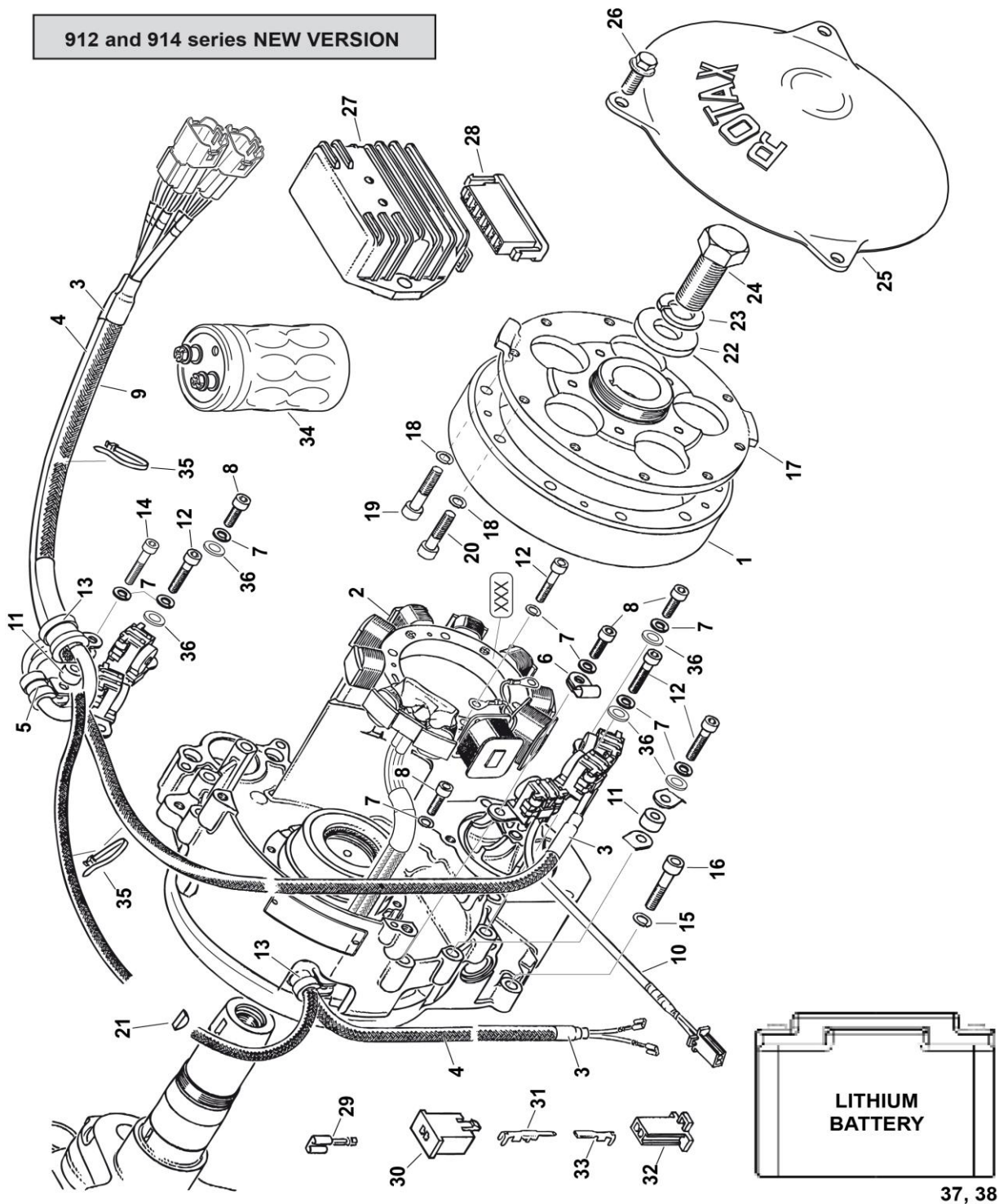
Chapter: 00-00-00
DOCUMENTATION, LABELS, GASKET SETS

ITEM#	STATUS	PART#	DESCRIPTION	912 A	912 F	912 S	912 UL	912 ULS	914 F	914 UL
15		481470	SERVICE-KIT 100H 914 115HP includes: oil filter. gasket ring (oil tank). sealing ring of crankshaft locking screw. carburetor float bowl gasket. O-ring float bowl screw	0	0	0	0	0	1	1
15		481460	SERVICE-KIT 100H 912 80 + 100HP includes: oil filter. gasket ring (oil tank). sealing ring of crankshaft locking screw. carburetor float bowl gasket	1	1	1	1	1	0	0
16		481462	SERVICE-KIT 200H 912 80 + 100HP includes all parts from 100 h kit + spark plugs	1	1	1	1	1	0	0
16		481472	SERVICE-KIT 200H 914 115 HP includes all parts from 100 h kit + spark plugs	0	0	0	0	0	1	1
17		897346	FUEL STABILIZER - SMALL CONTAINER 118 ML as required	1	1	1	1	1	1	1
18		297997	AEROSHELL SPORT PLUS 4 GEN 2 1000 ml / 0.26 gal. bottle	4	4	4	4	4	4	4
19	N	298116	XPS-AIRCRAFT 5W50 OEL - 55GAL as required SI-912-016 SI-914-019	1	1	1	1	1	1	1
19	N	298114	XPS-AIRCRAFT 5W50 OIL - 5GAL as required SI-912-016 SI-914-019	1	1	1	1	1	1	1
19	N	298110	XPS-AIRCRAFT 5W50 OIL - 1QT as required SI-912-016 SI-914-019	1	1	1	1	1	1	1

This page intentionally left blank

Chapter: 24-20-00
MAGNETO-GENERATOR, PICK UP, RECTIFIER REGULATOR

912 and 914 series NEW VERSION



AE_IPC_2_4_0009

Chapter: 24-20-00
MAGNETO-GENERATOR, PICK UP, RECTIFIER REGULATOR

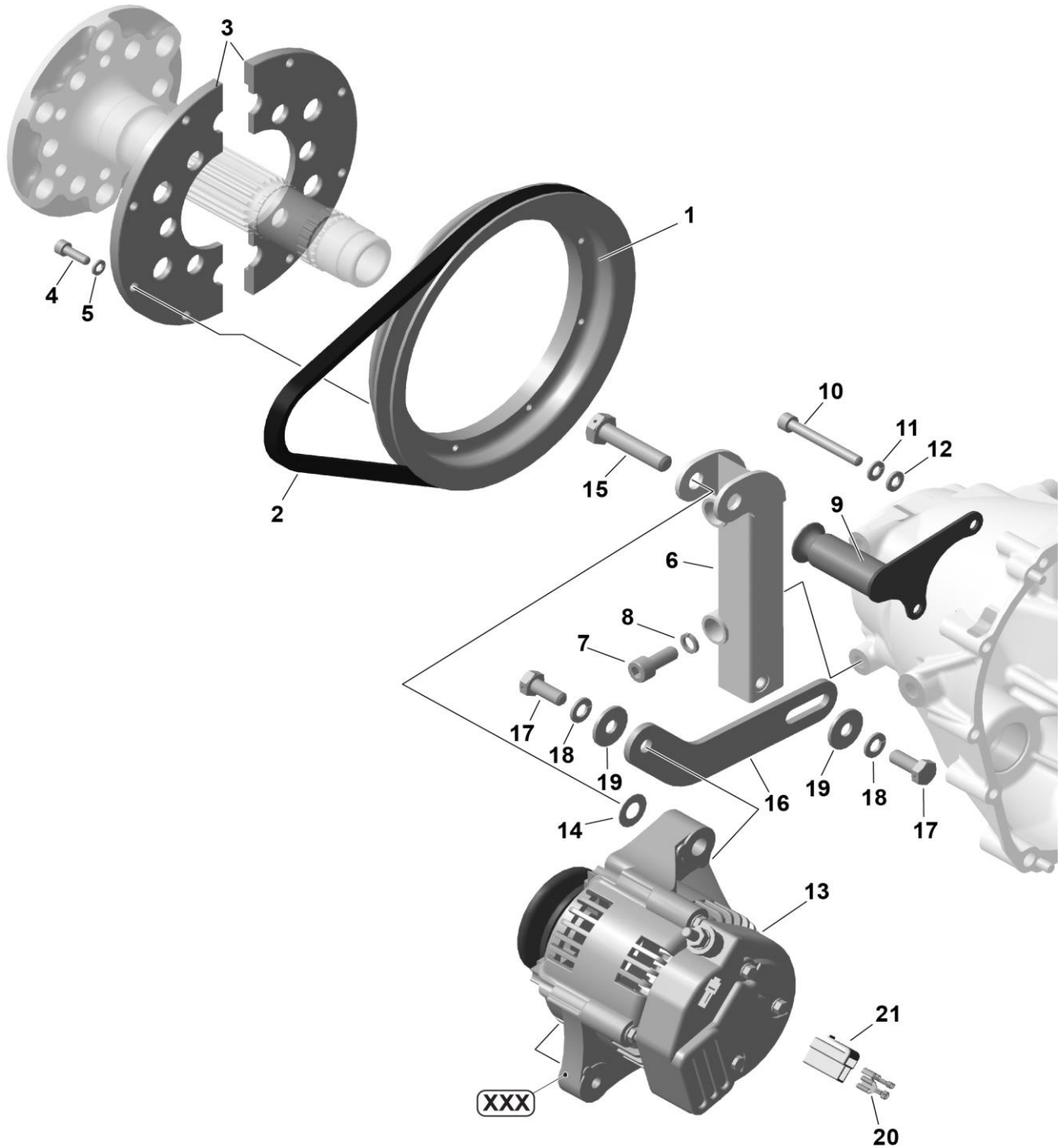
ITEM#	STATUS	PART#	DESCRIPTION	912 A	912 F	912 S	912 UL	912 ULS	914 F	914 UL
01		965192	MAGNETO RING	1	1	1	1	1	1	1
02		891095	STATOR ASSY. Ill. no. 2-6 SI-912-013 SI-914-016 standardization of the ignition unit	1	1	1	1	1	1	1
03		860530	SHRINK TUBE 9.5X1.27 as required	1	1	1	1	1	1	1
04		956620	OIL TANK COVER as required	1	1	1	1	1	1	1
05		851111	CABLE CLAMP 8/M5	1	1	1	1	1	1	1
06		851566	CABLE CLAMP 7/M5	1	1	1	1	1	1	1
07		945830	LOCK WASHER - A5	12	12	12	12	12	12	12
08		840514	ALLEN SCREW - M5x16	4	4	4	4	4	4	4
09		965179	TRIGGER COIL KIT Ill. no. 9. 36 Trigger coil kit with elongated hole for adjustment and 6-pole connector incl. 7 pcs. part no. 827801	1	1	1	1	1	1	1
10		264087	TRIGGER COIL ASSY. Trigger coil for rev. counter to part no. 965176 and part no. 965179	1	1	1	1	1	1	1
11		847660	SPACER 5.2/12/7.4	4	4	4	4	4	4	4
12		240187	ALLEN SCREW - M5x25	7	7	7	7	7	7	7
13		851250	CABLE CLAMP 15/M5	2	2	2	2	2	2	2
14		940882	ALLEN SCREW - M5x30	1	1	1	1	1	1	1
15		827962	WASHER - A 6.4	7	7	7	7	7	7	7
16		840888	ALLEN SCREW - M6x30 see chapter 75-20-00	7	7	7	7	7	7	7
17		966874	FLY WHEEL HUB Advanced start system SI-912-028	1	1	1	1	1	0	0
17		966879	FLY WHEEL HUB	0	0	0	0	0	1	1
18		845381	LOCK WASHER A6	10	10	10	10	10	10	10
19		840883	ALLEN SCREW M6X30	5	5	5	5	5	5	5
20		840863	ALLEN SCREW M6X25	5	5	5	5	5	5	5
21		246571	WOODRUFF KEY 4X5	1	1	1	1	1	1	1
22		944073	WASHER 17/36/5	1	1	1	1	1	1	1
23		945769	LOCK WASHER - A16	1	1	1	1	1	1	1
24		841602	HEX. SCREW - M16x1.5x40	1	1	1	1	1	1	1

Chapter: 24-20-00
MAGNETO-GENERATOR, PICK UP, RECTIFIER REGULATOR

ITEM#	STATUS	PART#	DESCRIPTION	912 A	912 F	912 S	912 UL	912 ULS	914 F	914 UL
25		810980	IGNITION COVER	0	0	1	0	1	1	1
25		810980	IGNITION COVER optional	1	1	0	1	0	0	0
26		640172	HEX.SCREW - M6X16	0	0	3	0	3	3	3
26		640172	HEX.SCREW - M6X16 optional	3	3	0	3	0	0	0
27		965349	RECTIFIER REGULATOR Ill. no. 27-28	1	1	1	1	1	1	1
28		965335	CONNECTOR HOUSING	1	1	1	1	1	1	1
29		864011	FASTON CONNECTOR 6.3X0.8 as required	1	1	1	1	1	1	1
30		265252	CONNECTOR HOUSING. TWO-POLE as required not with Form 1	1	1	1	1	1	1	1
31		265272	FASTON CONNECTOR as required not with Form 1	1	1	1	1	1	1	1
32		265250	CONNECTOR HOUSING. TWO-POLE as required	1	1	1	1	1	1	1
33		265270	FASTON CONNECTOR as required	1	1	1	1	1	1	1
34		966590	CAPACITOR. 22000 MYF 25V	1	1	1	1	1	1	1
35		866710	TIE WRAP 142X2.5 MM	3	3	3	3	3	3	3
36		827801	WASHER - N - 6 - 200 HV At all trigger coils with long hole	7	7	7	7	7	7	7
37		966265	LITHIUM-BATTERY 12V 12AH SI-PAC-025	1	1	1	1	1	1	1
38		966260	LITHIUM-BATTERY 12V 16AH SI-PAC-025	1	1	1	1	1	1	1

This page intentionally left blank

Chapter: 24-30-00
EXTERNAL ALTERNATOR



AE_IPC_2_4_0010

Chapter: 24-30-00
EXTERNAL ALTERNATOR

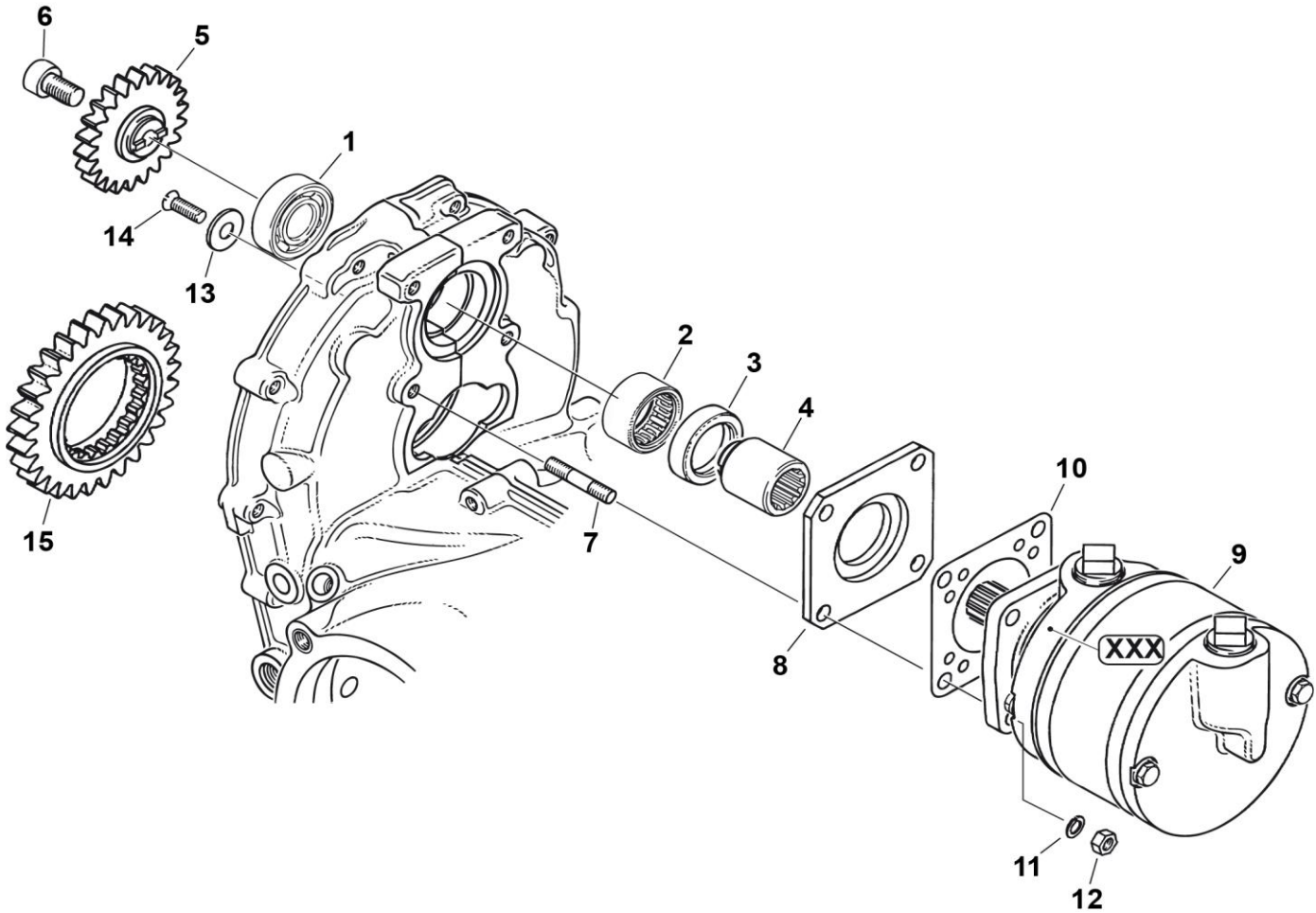
ITEM#	STATUS	PART#	DESCRIPTION	912 A	912 F	912 S	912 UL	912 ULS	914 F	914 UL
01		980590	V-BELT PULLEY optional	1	1	1	1	1	1	1
01		887254	ALTERNATORSET Ill. no. 1-21 optional	1	1	1	1	1	1	1
02		980400	V-BELT 9.5X675 optional	1	1	1	1	1	1	1
03		980605	PULLEY CARRIER optional	2	2	2	2	2	2	2
04		840514	ALLEN SCREW - M5x16 optional	8	8	8	8	8	8	8
05		945830	LOCK WASHER - A5 optional	8	8	8	8	8	8	8
06		953223	ALTERNATOR BRACKET ASSY. optional	1	1	1	1	1	1	1
07		240072	ALLEN SCREW - M8x20 optional	2	2	2	2	2	2	2
08		845310	LOCK WASHER VHZ 8 optional	2	2	2	2	2	2	2
09		953233	ALTERNATOR SUPPORT ASSY. optional	1	1	1	1	1	1	1
10		241762	ALLEN SCREW - M6x50 optional	2	2	2	2	2	2	2
11		945831	LOCK WASHER - A6 optional	2	2	2	2	2	2	2
12		827962	WASHER - A 6.4 optional	2	2	2	2	2	2	2
13		887251	ALTERNATOR F3A Marked with S/N optional	1	1	1	1	1	1	1
14		927952	THRUST WASHER 10.1/20/0.5 optional	1	1	1	1	1	1	1
15		941637	HEX. SCREW M10X45 with bore for safety wire optional	1	1	1	1	1	1	1
16		953241	TENSION BAR optional	1	1	1	1	1	1	1
17		940596	HEX. SCREW M8X20 with bore for safety wire	2	2	2	2	2	2	2

Chapter: 24-30-00
EXTERNAL ALTERNATOR

ITEM#	STATUS	PART#	DESCRIPTION	912 A	912 F	912 S	912 UL	912 ULS	914 F	914 UL
18		945832	LOCK WASHER - A8 optional	2	2	2	2	2	2	2
19		227936	WASHER - 8 - 200 HV optional	2	2	2	2	2	2	2
20		864011	FASTON CONNECTOR 6.3X0.8 optional	2	2	2	2	2	2	2
21		265255	CONNECTOR HOUSING 2-POLE optional	1	1	1	1	1	1	1

This page intentionally left blank

Chapter: 37-10-00
VACUUM PUMP WITH DRIVE



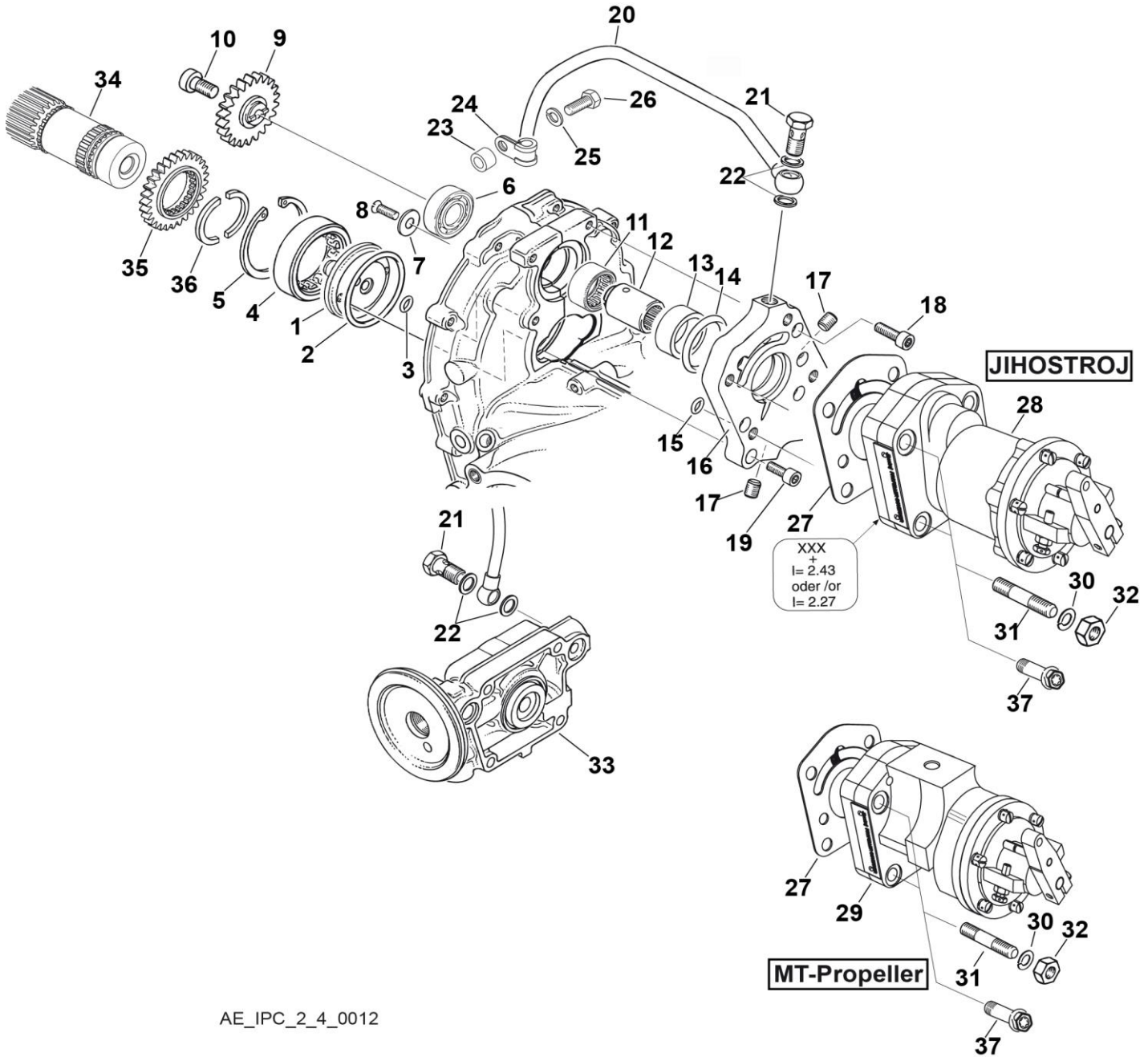
AE_IPC_2_4_0011

Chapter: 37-10-00
VACUUM PUMP WITH DRIVE

ITEM#	STATUS	PART#	DESCRIPTION	912 A	912 F	912 S	912 UL	912 ULS	914 F	914 UL
01		881690	VACUUM PUMP DRIVE RETROFIT KIT Ill. no. 1-8 as required optional	1	1	1	1	1	1	1
01		832363	BALL BEARING 16002 C3 PAB4F see chapter 61-20-00 optional	1	1	1	1	1	1	1
02		232925	NEEDLE SLEEVE 22X28X12 see chapter 61-20-00 optional	1	1	1	1	1	1	1
03		831265	OIL SEAL AS 22X32X7 optional	1	1	1	1	1	1	1
04		847771	DRIVE SLEEVE optional	1	1	1	1	1	1	1
05		834245	VACUUM PUMP GEAR 22 T optional	1	1	1	1	1	1	1
06		941527	ALLEN SCREW M8X14 optional	1	1	1	1	1	1	1
07		941080	STUD M6X20/10 optional	4	4	4	4	4	4	4
08		810170	ATTACHMENT FLANGE optional	1	1	1	1	1	1	1
09		XXX	VACUUM PUMP RA211CC Ill. no. 9-10 not available optional	1	1	1	1	1	1	1
10		XXX	GASKET not available optional	1	1	1	1	1	1	1
11		945831	LOCK WASHER - A6 optional	4	4	4	4	4	4	4
12		242214	HEX.NUT M6 optional	4	4	4	4	4	4	4
13		227280	THRUST WASHER see chapter 72-20-00	1	1	1	1	1	1	1
14		940316	COUNTERSUNK SCREW M5X12 see chapter 72-20-00	1	1	1	1	1	1	1
15		834233	DRIVE GEAR 29 T. see chapter 72-10-00	1	1	1	1	1	1	1

Chapter: 61-20-00

HYDR. GOVERNOR ARRANGEMENT FOR CONSTANT SPEED PROPELLER



AE_IPC_2_4_0012

Chapter: 61-20-00

HYDR. GOVERNOR ARRANGEMENT FOR CONSTANT SPEED PROPELLER

ITEM#	STATUS	PART#	DESCRIPTION	912 A	912 F	912 S	912 UL	912 ULS	914 F	914 UL
01		810301	OIL INLET FLANGE see chapter 72-10-00	1	1	1	1	1	1	1
02		430175	O-RING - 46X3 see chapter 72-10-00	1	1	1	1	1	1	1
03		830415	O-RING - 7X2 optional	2	2	2	2	2	2	2
04		232246	ROLLER BEARING RNU 205 ECP/PAB4L see chapter 72-10-00	1	1	1	1	1	1	1
05		945820	RETAINING RING 52X2 see chapter 72-10-00	1	1	1	1	1	1	1
06		832363	BALL BEARING 16002 C3 PAB4F optional	1	1	1	1	1	1	1
07		227280	THRUST WASHER see chapter 72-20-00	1	1	1	1	1	1	1
08		940316	COUNTERSUNK SCREW M5X12 see chapter 72-20-00	1	1	1	1	1	1	1
09		834245	VACUUM PUMP GEAR 22 T optional	1	1	1	1	1	1	1
10		941522	ALLEN SCREW - M8x16 optional	1	1	1	1	1	1	1
11		232925	NEEDLE SLEEVE 22X28X12 optional	1	1	1	1	1	1	1
12		847773	DRIVE SLEEVE optional	1	1	1	1	1	1	1
13		847802	SPACER 25/31.95/13 optional	1	1	1	1	1	1	1
14		950380	O-RING - 32X4 optional	1	1	1	1	1	1	1
15		830415	O-RING - 7X2 optional	2	2	2	2	2	2	2
16		810294	GOVERNOR FLANGE optional	1	1	1	1	1	1	1
17		941611	PLUG SCREW M8X1 optional	2	2	2	2	2	2	2
18		241935	ALLEN SCREW - M6x20 optional	4	4	4	4	4	4	4
19		241237	ALLEN SCREW - M6x16 optional	2	2	2	2	2	2	2
20		956460	PRESSURE OIL LINE ASSY. optional	1	1	1	1	1	1	1

Chapter: 61-20-00

HYDR. GOVERNOR ARRANGEMENT FOR CONSTANT SPEED PROPELLER

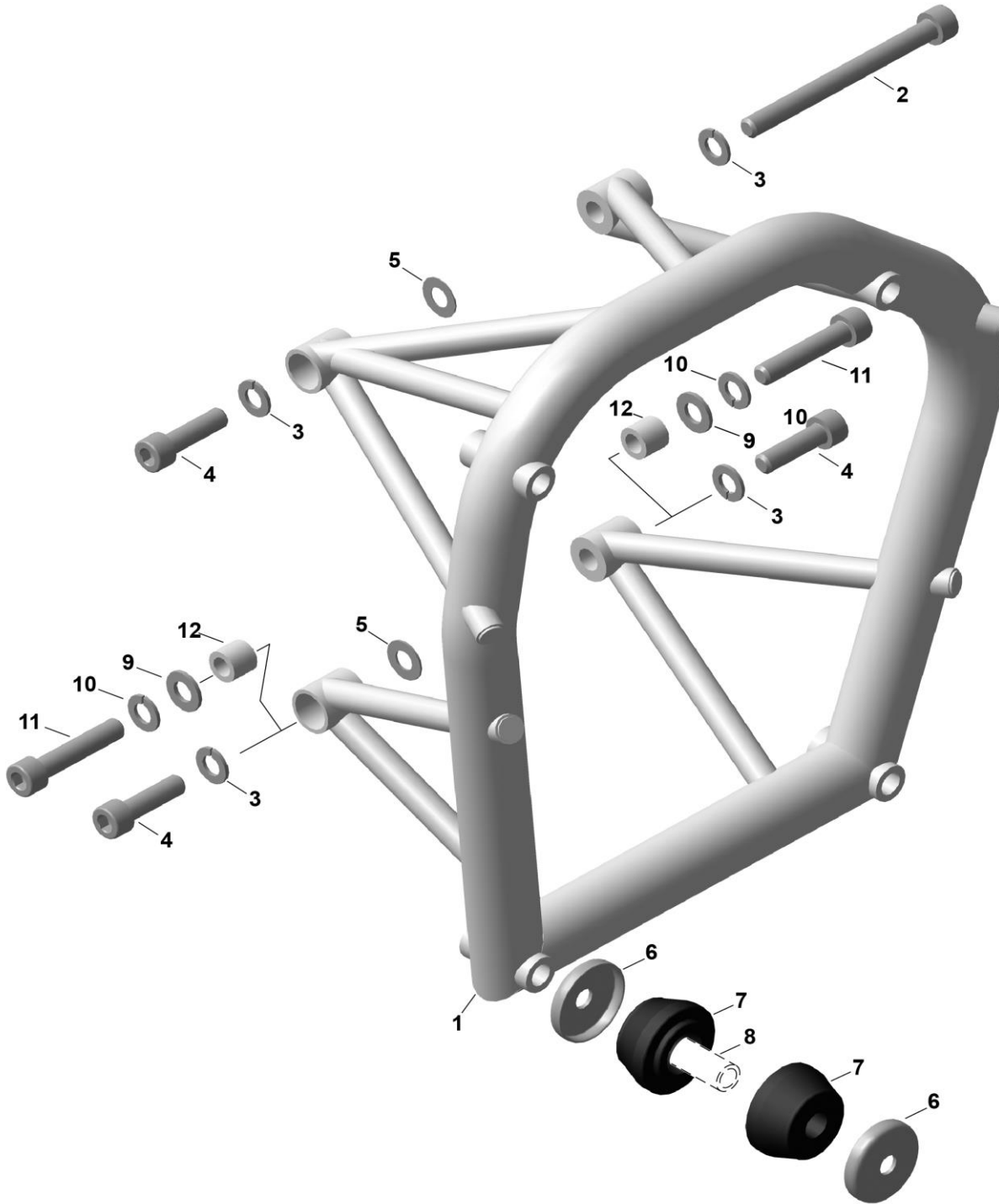
ITEM#	STATUS	PART#	DESCRIPTION	912 A	912 F	912 S	912 UL	912 ULS	914 F	914 UL
21		940874	BANJO BOLT M10X1X19 see chapter 79-20-00 still valid optional	2	2	2	2	2	0	0
21		940876	BANJO BOLT M10X1X23 Longer thread for more safety against pull out. Check if thread in oil pump housing is deep enough. see chapter 79-20-00 optional	2	2	2	2	2	0	0
22		230150	SEALING RING A 10X14 see chapter 79-20-00 optional	4	4	4	4	4	4	4
23		847223	DISTANCE SLEEVE 8.4/15/6 optional	1	1	1	1	1	1	1
24		853418	CABLE CLAMP optional	1	1	1	1	1	1	1
25		945832	LOCK WASHER - A8 optional	1	1	1	1	1	1	1
26		240277	HEX. SCREW - M8X25 optional	1	1	1	1	1	1	1
27		931372	GASKET optional	1	1	1	1	1	1	1
28		XXX	GOVERNOR JIHOSTROJ not available optional	1	1	1	1	1	1	1
29		XXX	GOVERNOR MT-PROPELLER not available optional	1	1	1	1	1	1	1
30		945832	LOCK WASHER - A8 optional	4	4	4	4	4	4	4
31		840711	STUD M8X21/20 optional	4	4	4	4	4	4	4
32		942674	HEX. NUT M8 (WS 11mm) optional	4	4	4	4	4	4	4
33		911815	OIL PUMP HOUSING ASSY. see chapter 79-20-00	1	1	1	1	1	1	1
34		937041	PROPELLER SHAFT see chapter 72-10-00	1	1	1	1	1	1	1
34		937047	PROPELLER SHAFT see chapter 72-10-00	1	1	1	1	1	1	1

Chapter: 61-20-00

HYDR. GOVERNOR ARRANGEMENT FOR CONSTANT SPEED PROPELLER

ITEM#	STATUS	PART#	DESCRIPTION	912 A	912 F	912 S	912 UL	912 ULS	914 F	914 UL
35		834233	DRIVE GEAR 29 T. see chapter 72-10-00	1	1	1	1	1	1	1
36		926035	RING HALF see chapter 72-10-00	1	1	1	1	1	1	1
37		440867	HEX./TORX-FLANGE SCREW M8X35-SW10/T40 optional	4	4	4	4	4	4	4
38		881702	PROP:SHAFT CONFIGURAT 3 RETROFIT KIT For retrofitting from version 2 to version 3. as required optional	1	1	1	1	1	1	1
39		881700	GOVERNOR DRIVE RETROFIT KIT For retrofitting. same as part no. 881702 but without propeller shaft. as required optional	1	1	1	1	1	1	1

Chapter: 71-20-00
ENGINE SUSPENSION FRAME



AE_IPC_2_4_0013

Chapter: 71-20-00
ENGINE SUSPENSION FRAME

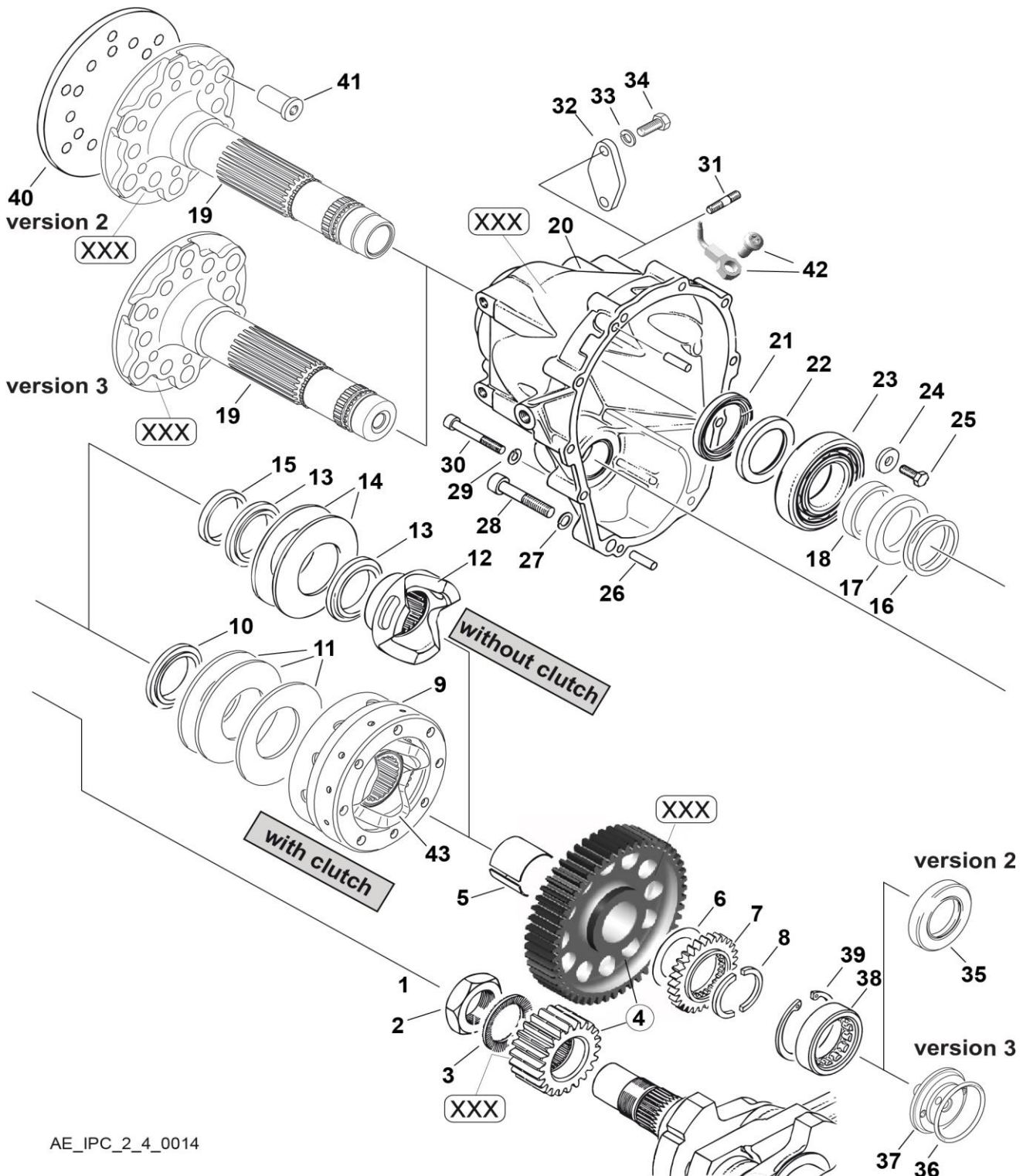
ITEM#	STATUS	PART#	DESCRIPTION	912 A	912 F	912 S	912 UL	912 ULS	914 F	914 UL
01		886563	ENGINE SUSPENSION FRAME ASSY. SB-912-028 SB-914-016 optional still valid	1	1	1	1	1	1	1
01	N	886565	ENGINE SUSPENSION FRAME ASSY. SB-912-028 SB-914-016 optional	1	1	1	1	1	1	1
02		941487	ALLEN SCREW - M10X110 optional	1	1	1	1	1	0	0
02		941487	ALLEN SCREW - M10X110	0	0	0	0	0	1	1
03		945833	LOCK WASHER A10 optional	4	4	4	4	4	0	0
03		945753	LOCK WASHER A10 not available	0	0	0	0	0	4	4
03		945833	LOCK WASHER A10	0	0	0	0	0	4	4
04		840948	ALLEN SCREW - M10X35	0	0	0	0	0	1	1
04		840948	ALLEN SCREW - M10X35 optional	3	3	3	3	3	0	0
05		927953	THRUST WASHER 10.1/20/1.0 as required optional	1	1	1	1	1	1	1
05		927952	THRUST WASHER 10.1/20/0.5 as required optional	1	1	1	1	1	1	1
05		927954	THRUST WASHER 10.1/20/1.5 as required optional	1	1	1	1	1	1	1
06		860695	SHOCK MOUNT SET Ill. no. 6-7 optional	1	1	1	1	1	1	1
06		944240	CUP WASHER optional	8	8	8	8	8	8	8
07		860690	SHOCK MOUNT optional	8	8	8	8	8	8	8
08		XXX	STRUT not available	4	4	4	4	4	4	4
09		927411	WASHER 10.5 see chapter 78-10-00	0	0	0	0	0	2	2

Chapter: 71-20-00
ENGINE SUSPENSION FRAME

ITEM#	STATUS	PART#	DESCRIPTION	912 A	912 F	912 S	912 UL	912 ULS	914 F	914 UL
10		945833	LOCK WASHER A10 see chapter 78-10-00	0	0	0	0	0	2	2
11		640572	ALLEN SCREW - M10X50 see chapter 78-10-00	0	0	0	0	0	2	2
12		847841	SPACER 10.5/17/15	0	0	0	0	0	2	2

This page intentionally left blank

Chapter: 72-10-00
PROPELLER GEAR ASSY.



AE_IPC_2_4_0014

Chapter: 72-10-00
PROPELLER GEAR ASSY.

ITEM#	STATUS	PART#	DESCRIPTION	912 A	912 F	912 S	912 UL	912 ULS	914 F	914 UL
01		887708	GEARBOX WITH CLUTCH I 2.43-3 Without pos. 1. 30-41 Gearbox with oil spray nozzle. Starting with Gearbox SN 74000.	1	1	1	1	1	1	1
01		887703	GEARBOX WITH CLUTCH I 2.43-2 Without pos. 2. 31-42 Gearbox with oil spray nozzle. Starting with Gearbox SN 74000.	1	1	1	1	1	1	1
01		887271	GEARBOX WITH CLUTCH 2.27-3 Without Pos. 2. 31-42 Gearbox with oil spray nozzle. Starting with Gearbox SN 74000.	1	1	0	1	0	0	0
01		888560	GEARBOX WITHOUT CLUTCH I 2.43-2 Without pos. 2. 31-42 Gearbox with oil spray nozzle. Starting with Gearbox SN 74000.	0	0	0	1	1	0	1
01		887281	GEARBOX WITH CLUTCH 2.27-2 Without pos. 2. 31-42 Gearbox with oil spray nozzle. Starting with Gearbox SN 74000	1	1	0	1	0	0	0
01		996605	GEARBOX WITHOUT CLUTCH 2.27-2 Without pos. 2. 31-42 Gearbox with oil spray nozzle. Starting with Gearbox SN 74000.	0	0	0	1	0	0	0
02		842579	HEX. NUT M30X1.5 12MM. LH	1	1	1	1	1	1	1
03		845431	FRICION WASHER VS30	1	1	1	1	1	1	1
04		886127	GEAR SET I 2.27	1	1	0	1	0	0	0
04		886548	GEAR SET I 2.43	1	1	1	1	1	1	1
05		933362	BUSHING 31X33X29.8	1	1	1	1	1	1	1
06		827992	THRUST WASHER 33.2/51/1.2	1	1	1	1	1	1	1
07		834233	DRIVE GEAR 29 T.	1	1	1	1	1	1	1
08		926035	RING HALF	2	2	2	2	2	2	2
08		996889	CLUTCH ASSY RETROFIT KIT Ill. no. 8-11 wide. 7 degree for gear set I 2.43 (wide version)	0	0	0	0	1	0	1
08		996888	CLUTCH ASSY. RETROFIT KIT Ill. no. 8-11 for gear set I 2.27 (narrow version)	0	0	0	1	0	0	0

Chapter: 72-10-00
PROPELLER GEAR ASSY.

ITEM#	STATUS	PART#	DESCRIPTION	912 A	912 F	912 S	912 UL	912 ULS	914 F	914 UL
09		996885	OVERLOAD CLUTCH ASSY. Ill. no. 9. 43 narrow for gear set I 2.27	1	1	0	1	0	0	0
09		996910	OVERLOAD CLUTCH ASSY. Ill. no. 9. 43 wide. 7 degree for gear set I 2.43	1	1	1	1	1	1	1
10		847787	STEP COLLAR Gearbox with oil spray nozzle. Starting with Gearbox SN 74000.	1	1	1	1	1	1	1
11		838216	DISK SPRING B80. 80X41X3	3	3	3	3	3	3	3
12	N	958528	DOG HUB 0 DEGREE 0 degree	0	0	0	1	1	0	1
12		958896	DOG HUB for gear sets part no. 886125 and 886127: (narrow version)	0	0	0	1	0	0	1
12		958898	DOG HUB wide. 7 degree for gear set part no. 886518 and 886548; (wide version)	0	0	0	1	1	0	1
13		847787	STEP COLLAR	0	0	0	2	2	0	2
14		838216	DISK SPRING B80. 80X41X3	0	0	0	2	2	0	2
15		847689	SPACER 35.2/42/6	0	0	0	1	1	0	1
16		927402	SHIM 35.4/43/0.5 as required	1	1	1	1	1	1	1
16		927403	SHIM 35.4/43/1.0 as required	1	1	1	1	1	1	1
16		927401	SHIM 35.4/43/0.2 as required	1	1	1	1	1	1	1
17		848225	ECCENTER	1	1	1	1	1	1	1
18		847687	SPACER 35.2/42/8	1	1	1	1	1	1	1
19		937041	PROPELLER SHAFT Version 3	1	1	1	1	1	1	1
19		937047	PROPELLER SHAFT Version 2	1	1	1	1	1	1	1

Chapter: 72-10-00
PROPELLER GEAR ASSY.

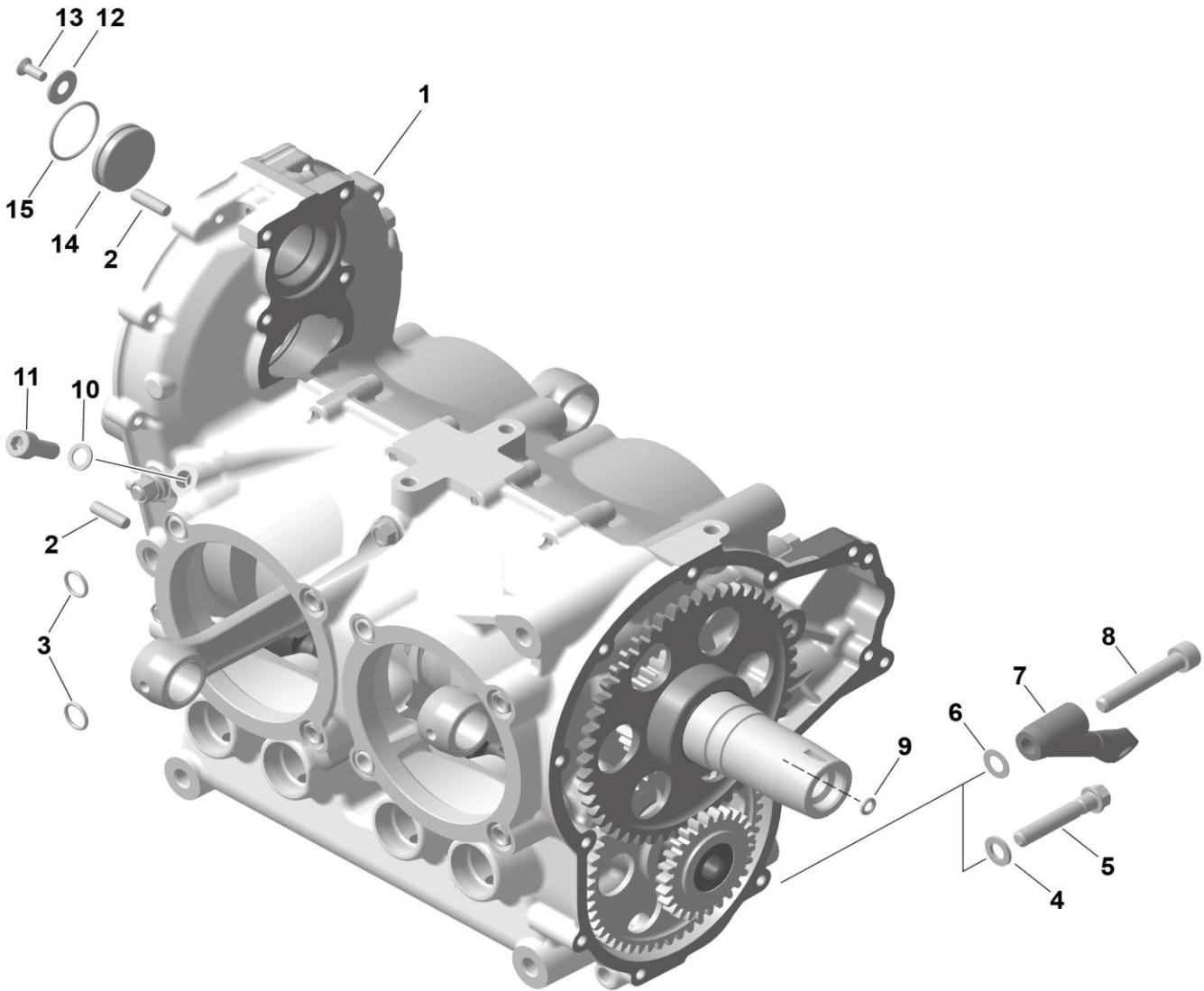
ITEM#	STATUS	PART#	DESCRIPTION	912 A	912 F	912 S	912 UL	912 ULS	914 F	914 UL
20		610363	GEAR COVER ASSY.PACKED Ill. no. 20 (811952 + packaging) With oil spray nozzle mounted	1	1	1	1	1	1	1
21		950470	OIL SEAL AS 40X55X7	1	1	1	1	1	1	1
22		926022	SPACER RING 36/50/5.5	1	1	1	1	1	1	1
23		832578	BALL BEARING 6207E TN9. 35-72-17 still valid	1	1	1	1	1	1	1
23	N	832587	B. BEARING 6207 ETN9 C3 35-72-17	1	1	1	1	1	1	1
24		944320	WASHER 7.2/18.8/3	4	4	4	4	4	4	4
25		941760	HEX. SCREW M7X16	4	4	4	4	4	4	4
26		429230	DOWEL 6X20	2	2	2	2	2	2	2
27		944131	WASHER 8 not available Replaced by hex. torx screw part no. 940077.	2	2	2	2	2	2	2
28		940077	HEX./TORX-FLANGE SCREW M8X45-SW10/T40	2	2	2	2	2	2	2
28		841562	ALLEN SCREW - M8x45 not available Replaced by hex. torx screw part no. 940077.	2	2	2	2	2	2	2
29	N	945831	LOCK WASHER - A6	8	8	8	8	8	8	8
29		827962	WASHER - A 6.4	8	8	8	8	8	8	8
30		241823	ALLEN SCREW - M6x45	8	8	8	8	8	8	8
31		940363	STUD M8X23/14	8	8	8	8	8	0	0
32		926151	COVER	0	0	0	0	0	1	1
33		945832	LOCK WASHER - A8	2	2	2	2	2	2	2
34		940592	HEX.SCREW - M8X20	0	0	0	0	0	2	2
35		950200	OIL SEAL AS 30X52X7	1	1	1	1	1	1	1
36		430175	O-RING - 46X3	1	1	1	1	1	1	1
37		810301	OIL INLET FLANGE	1	1	1	1	1	1	1
38		232246	ROLLER BEARING RNU 205 ECP/PAB4L	1	1	1	1	1	1	1
39		945820	RETAINING RING 52X2	1	1	1	1	1	1	1
40		827837	COVER DISK as required	1	1	1	1	1	1	1
41		842634	ROUND-NECK NUT SET M8 Do not use at version with auxiliary alternator; only available as a set (includes 6 pieces).	1	1	1	1	1	1	1

Chapter: 72-10-00
PROPELLER GEAR ASSY.

ITEM#	STATUS	PART#	DESCRIPTION	912 A	912 F	912 S	912 UL	912 ULS	914 F	914 UL
42		456520	OIL SPRAY NOZZLE ASSY. Gearbox with oil spray nozzle. Starting with Gearbox SN 74000.	1	1	1	1	1	1	1
43	N	958521	DOG HUB 30 DEGREE 0 degree for gear set I 2.27	1	1	0	1	0	0	0
43		958525	DOG HUB 7 degree for gear set I 2.43 still valid	1	1	0	1	0	0	0
43	N	958526	DOG HUB 30 DEGREE 7 degree for gear set I 2.43 optional	1	1	0	1	0	0	0
43		958525	DOG HUB 7 degree for gear set I 2.43 optional still valid	0	0	1	0	1	1	1
43	N	958526	DOG HUB 30 DEGREE for gear set I 2.43	0	0	1	0	1	1	1
43		958520	DOG HUB 0 degree for gear set I 2.27 still valid	1	1	0	1	0	0	0

This page intentionally left blank

Chapter: 72-20-00
CRANKCASE

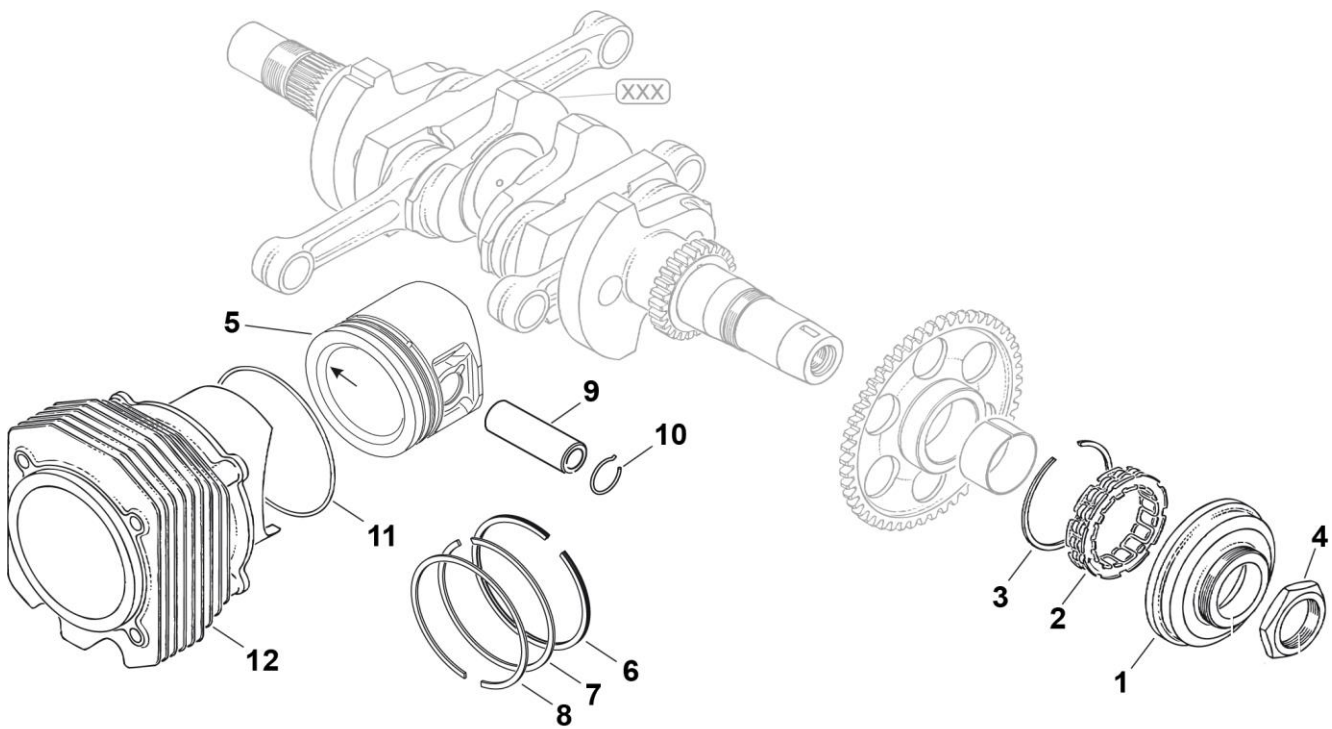


AE_IPC_2_4_0015

Chapter: 72-20-00
CRANKCASE

ITEM#	STATUS	PART#	DESCRIPTION	912 A	912 F	912 S	912 UL	912 ULS	914 F	914 UL
01		300091401	ENGINE BLOCK ASSY. See Overhaul Manual of the respective engine type. current issue.	1	1	0	1	0	1	1
01		300091202	ENGINE BLOCK ASSY. See Overhaul Manual of the respective engine type. current issue.	0	0	1	0	1	0	0
02		429230	DOWEL 6X20	2	2	2	2	2	2	2
03		431570	O-RING - 10.82X1.78	8	8	8	8	8	8	8
04		944131	WASHER 8 See Overhaul Manual of the respective engine type. current issue.	4	4	4	4	4	0	0
05		940072	HEX.COLLAR SCREW M8X45-SW10	2	2	2	2	2	1	1
06		926401	WASHER 8.4/15/1 as required	0	0	0	0	0	1	1
06		926402	WASHER 8.4/15/1.5 as required	0	0	0	0	0	1	1
06		926400	WASHER 8.4/15/0.5 as required	0	0	0	0	0	1	1
07		953304	MANIFOLD BRACKET ASSY. STAINLESS see chapter 78-10-00	0	0	0	0	0	1	1
08		440107	ALLEN SCREW - M8X50 See Overhaul Manual of the respective engine type. current issue.	0	0	0	0	0	1	1
09		831929	O-RING - 5X2	1	1	1	1	1	1	1
10		950141	SEALING RING A 8X13	1	1	1	1	1	1	1
11		240072	ALLEN SCREW - M8x20	1	1	1	1	1	1	1
12		227280	THRUST WASHER	1	1	1	1	1	1	1
13		940316	COUNTERSUNK SCREW M5X12	1	1	1	1	1	1	1
14		944222	BLINDING SHIM Only for model 2	1	1	1	1	1	1	1
15		430061	O-RING - 26.7X1.8 Only for model 2	1	1	1	1	1	1	1

Chapter: 72-20-00
CRANKSHAFT, PISTON, CYLINDER, SPRANG CLUTCH

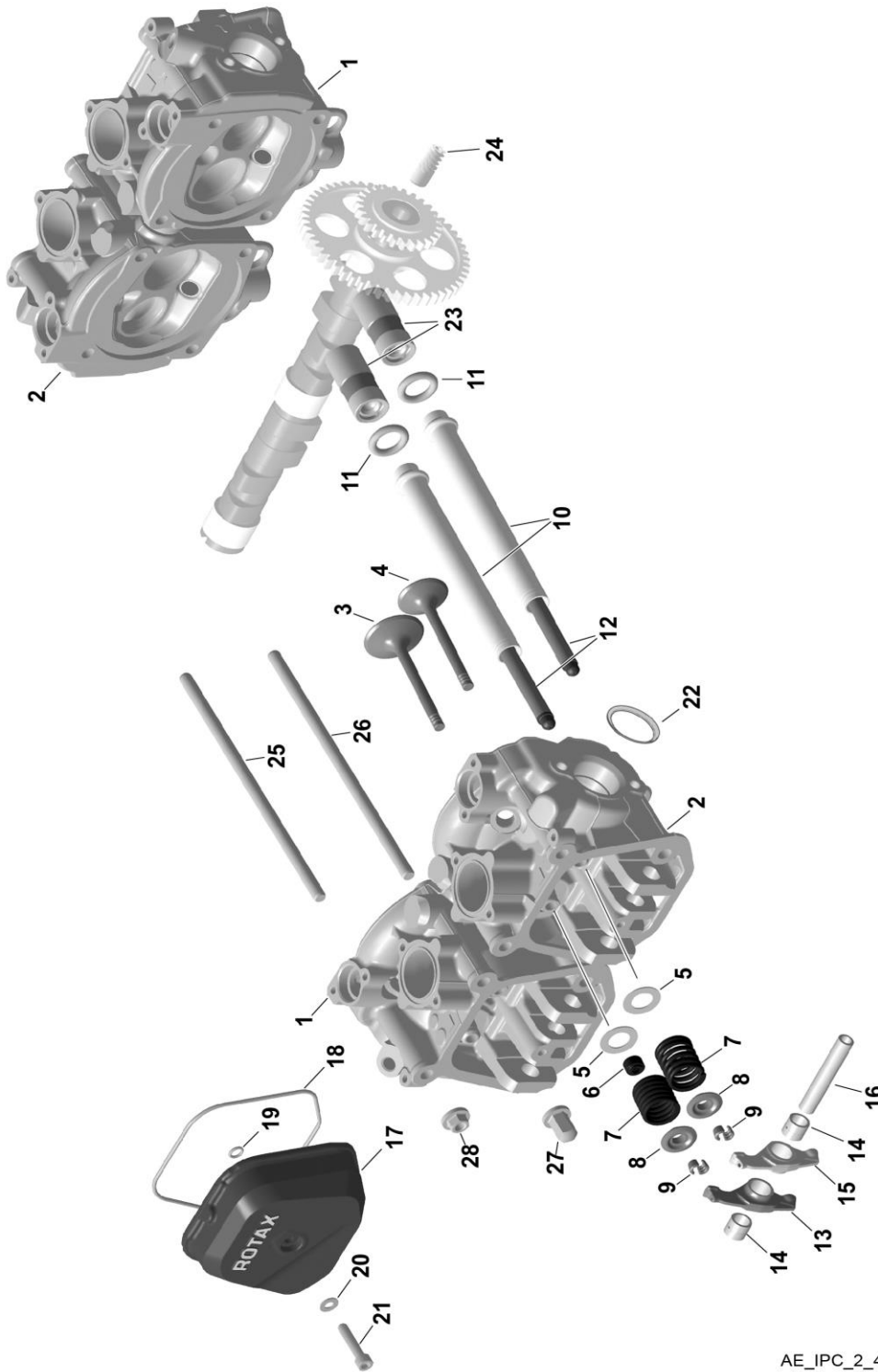


AE_IPC_2_4_0016

Chapter: 72-20-00
CRANKSHAFT, PISTON, CYLINDER, SPRANG CLUTCH

ITEM#	STATUS	PART#	DESCRIPTION	912 A	912 F	912 S	912 UL	912 ULS	914 F	914 UL
01		852402	SPRAG CLUTCH HOUSING with drain holes	1	1	1	1	1	1	1
02		958856	SPRAG CLUTCH 51.710X68.377X13	1	1	1	1	1	1	1
03		845425	CIRCLIP 70	1	1	1	1	1	1	1
04		842574	HEX. NUT M34X1.5 LH	1	1	1	1	1	1	1
05		888382	PISTON ASSY. 84/84.01 MM Ill. no. 5-8 red 84 mm. green 84.01 mm	0	0	4	0	4	0	0
05		996542	PISTON ASSY. 79.50/79.51 MM Ill. no. 5-8 red 79.50 mm. green 79.51 mm	4	4	0	4	0	4	4
06		215400	OIL SCRAPER RING 79.5 MM	4	4	0	4	0	4	4
06		815230	OIL SCRAPER RING 84X76.5X3	0	0	4	0	4	0	0
07		215420	TAPERED COMPRESSION RING 79.5 MM	4	4	0	4	0	4	4
07		815280	TAPERED COMPRESSION RING 84	0	0	4	0	4	0	0
08		215590	RECTANGULAR RING 79.5/72.9X1.5	4	4	0	4	0	4	4
08		815251	RECTANGULAR RING 84/77X1.5 still valid	0	0	4	0	4	0	0
08	N	815257	RECTANGULAR RING 84/77X1.5	0	0	4	0	4	0	0
09		916356	PISTON PIN 20X12X55.3 following Service Letter has to be noticed SL-912-002 current issue SL-914-002 current issue	4	4	4	4	4	4	4
10		845106	MONOHOOK CIRCLIP 20	8	8	8	8	8	8	8
11		250510	O-RING - 87X2	4	4	4	4	4	4	4
12	N	913229	CYLINDER A 84.00 - 84.012. B 84.012 - 84.024	0	0	4	0	4	0	0
12		913226	CYLINDER A 84.00 - 84.012. B 84.012 - 84.024 still valid	0	0	4	0	4	0	0
12	N	913223	CYLINDER A 79.50 - 79.512. B 79.513 - 79.524	4	4	0	4	0	4	4
12		913222	CYLINDER A 79.50 - 79.512. B 79.513 - 79.524 still valid	4	4	0	4	0	4	4
13		881540	PISTON SET 912/914 BALANCED Balanced piston set: max. difference 3 g	1	1	0	1	0	1	1
14		881542	PISTON SET 912 S / IS BALANCED Balanced piston set: max. difference 3 g	0	0	1	0	1	0	0

Chapter: 72-20-00
CYLINDERHEAD, VALVE TRAIN, VALVE COVER



AE_IPC_2_4_0017

Chapter: 72-20-00
CYLINDERHEAD, VALVE TRAIN, VALVE COVER

ITEM#	STATUS	PART#	DESCRIPTION	912 A	912 F	912 S	912 UL	912 ULS	914 F	914 UL
01		413186	CYLINDERHEAD 2/3 ASSY.	0	0	2	0	2	0	0
01		413237	CYLINDER HEAD 2/3 ASSY.	2	2	0	2	0	2	2
02		413248	CYLINDER HEAD 1/4 ASSY.	2	2	0	2	0	2	2
02		413196	CYLINDERHEAD 1/4 ASSY.	0	0	2	0	2	0	0
03	N	854102	INTAKE VALVE 38 MM	4	4	4	4	4	4	4
03		854101	INTAKE VALVE 38 MM still valid	4	4	4	4	4	4	4
04		854111	EXHAUST VALVE 32MM still valid	4	4	4	4	4	4	4
04	N	854585	EXHAUST VALVE 32MM SI-914-030	4	4	4	4	4	4	4
04		854113	EXHAUST VALVE 32MM SI-914-030 still valid	4	4	4	4	4	4	4
05		926210	SHIM 16/27.4/1	8	8	8	8	8	8	8
06		230810	VALVE STEM SEAL	4	4	4	4	4	4	4
07		838156	VALVE SPRING	8	8	8	8	8	8	8
08		854188	VALVE SPRING RETAINER	8	8	8	8	8	8	8
09		253092	VALVE COTTER	16	16	16	16	16	16	16
10		924440	OIL RETURN TUBE	8	8	8	8	8	8	8
11		850930	O-RING - 16X5- GREEN	8	8	8	8	8	8	8
12		854862	VALVE PUSH-ROD ASSY.	8	8	8	8	8	8	8
13		854387	ROCKER ARM LEFT	4	4	4	4	4	4	4
14		933396	BUSHING	8	8	8	8	8	8	8
15		854397	ROCKER ARM RIGHT	4	4	4	4	4	4	4
16		854193	ROCKER ARM SHAFT	4	4	4	4	4	4	4
17		612260	VALVE COVER GREEN	0	0	4	0	4	0	0
17		612263	VALVE COVER BLACK	4	4	0	4	0	0	0
17		612262	VALVE COVER RED	0	0	0	0	0	4	4
17		612267	VALVE COVER BLACK without ROTAX logo optional	0	0	0	4	4	0	4
18		881920	O-RING SET Ill. no. 18-19	1	1	1	1	1	1	1
18		430205	O-RING - 6.4X1.8	4	4	4	4	4	4	4
19		250285	O-RING - 105X2.5	4	4	4	4	4	4	4
20		927941	WASHER 6.0/12/1	4	4	4	4	4	4	4
21		840887	ALLEN SCREW - M6X30	4	4	4	4	4	4	4

Chapter: 72-20-00
CYLINDERHEAD, VALVE TRAIN, VALVE COVER

ITEM#	STATUS	PART#	DESCRIPTION	912 A	912 F	912 S	912 UL	912 ULS	914 F	914 UL
22		881920	O-RING SET as required for rework of exhaust port see Overhaul Manual (OHM) of the respective engine type. current issue.	1	1	1	1	1	1	1
23		854099	HYDRAULIC VALVE TAPPET ASSY. only available as a set	8	8	8	8	8	8	8
23		881832	HYDRAULIC VALVE TAPPET SET consists of 8 pcs. 854099	1	1	1	1	1	1	1
24		834183	WORM GEAR 5 T see chapter 75-20-00	1	1	1	1	1	1	1
25		840171	STUD M8X200	8	8	8	8	8	8	8
26		840141	STUD M8X186	8	8	8	8	8	8	8
27		842476	COLLAR CAP NUT M8	8	8	8	8	8	8	8
28		942302	COLLAR NUT M8	8	8	8	8	8	8	8

This page intentionally left blank

Chapter: 73-00-00
BING CONSTANT SPEED DEPRESSION CARBURETOR

1	See Service Instruction SI-03-1998
2	Replace part no. 887262 (64/32/394F/04) / 887264 (64/32/394/08) / 888802 (64/32/416/01) / 888803 (64/32/416A/00)
3	Replace part no. 887267 (64/32/395F/04) / 887269 (64/32/395/08) / 888807 (64/32/417/01) / 888808 (64/32/417A/00)
4	Replace part no. 888370 (64/32/409F/01) / 888372 (64/32/412/00) / 888373 (64/32/421/01) / 888374 (64/32/421A/00)
5	Replace part no. 888375 (64/32/410F/01) / 888377 (64/32/411/00) / 888378 (64/32/422/01) / 888379 (64/32/422A/00)
6	
7	
8	Replace part no. 887094 (64/32/418A/00)
9	Replace part no. 887099 (64/32/419A/00)
10	Depends on airbox version; see SI-914-013 and SI-914-015 current issue
11	Depends on airbox version; see SB-914-044 current issue

AE_IPC_2_4_0019

Chapter: 73-00-00
BING CONSTANT SPEED DEPRESSION CARBURETOR

		912 UL/A/F		912 ULS/ULSFR/S		914 UL/F	
Version		59.6 kW (81 hp)		73.5 kW (100 hp)		84.5 kW (115 hp)	
		Carburetor part no.		Carburetor part no.		Carburetor part no.	
Location		1/3	2/4	1/3	2/4	1/3	2/4
Airbox part no. 667355 BING no. Main jet Needle position		892500 n.a. 892502 64/32/416A-02 HD 158 ¹⁾ NP 3	892505 n.a. 892507 64/32/417A-02 HD 158 ¹⁾ NP 3	892530 n.a. 892532 ⁴⁾ 64/32/421A-02 HD 155 NP 3	892535 n.a. 892537 ⁵⁾ 64/32/422A-02 HD 155 NP 3		
Air filter BING no. Main jet Needle position		892500 n.a. 892502 ²⁾ 64/32/416A-02 HD 158 NP 3	892505 n.a. 892507 ³⁾ 64/32/417A-02 HD 158 NP 3				
Airbox part no. 667167 BING no. Main jet Needle position						892520 n.a. 892522 ⁸⁾ 64/32/418A-05 HD 156 ¹⁰⁾ NP 2	892525 n.a. 892527 ⁹⁾ 64/32/419A-05 HD 158 ¹⁰⁾ NP 3
Airbox part no. 667574 BING no. Main jet Needle position						892520 n.a. 892522 64/32/418A-05 HD 156 ¹⁰⁾ NP 2	892525 n.a. 892527 64/32/419A-05 HD 158 ¹⁰⁾ NP 3
Diffusor		ND 2.72 961200		ND 2.70 961202		ND 2.72 961200	
Jet needle							
Idle jet							
Cold start jet							
Float needle							
Idle mixture screw							

AE_IPC_2_4_0018

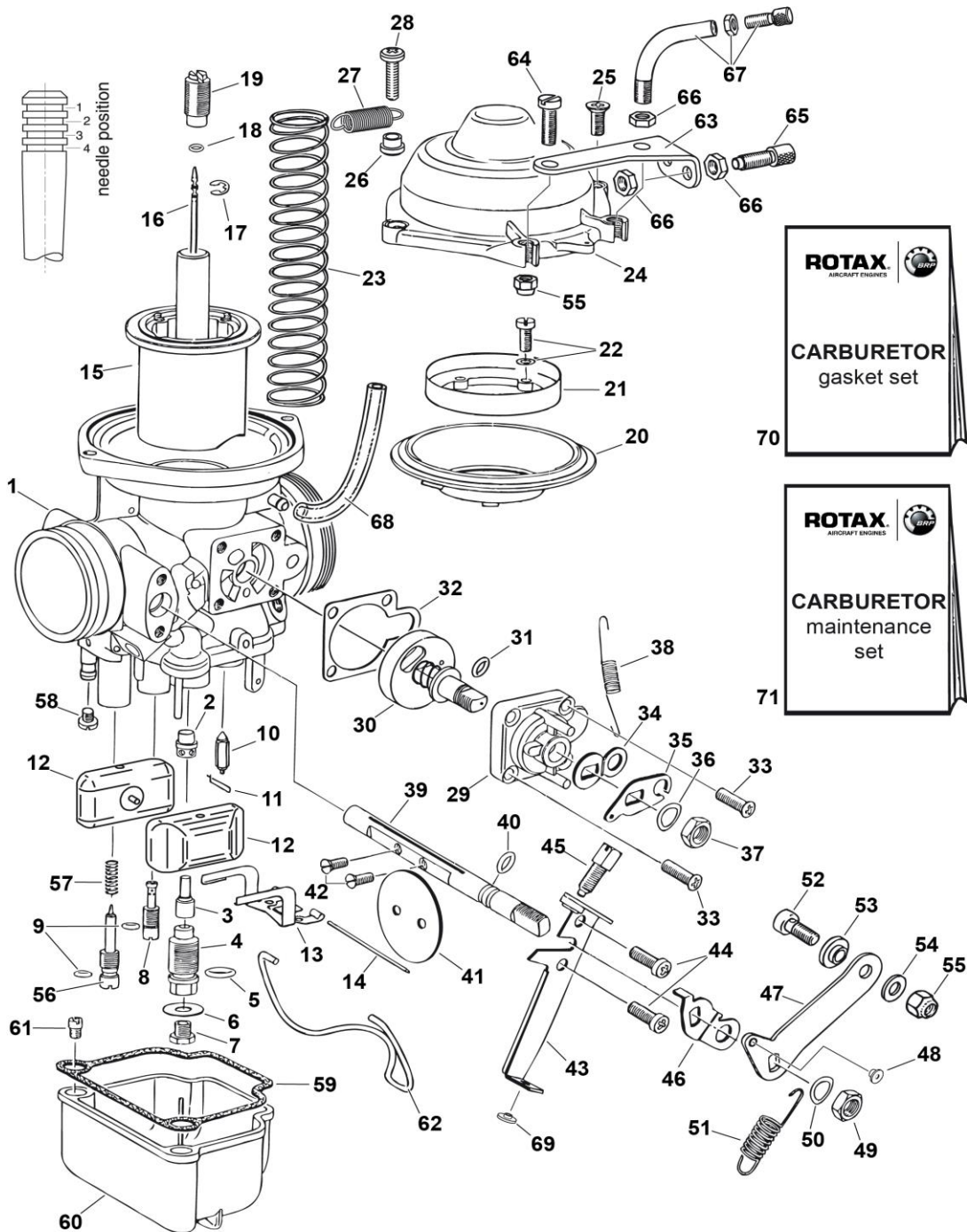
Chapter: 73-00-00

BING CONSTANT SPEED DEPRESSION CARBURETOR

ITEM#	STATUS	PART#	DESCRIPTION	912 A	912 F	912 S	912 UL	912 ULS	914 F	914 UL
03		892502	CONSTANT DEPRESSION CARB. ASSY 1/3 SB-912-044	1	1	0	1	0	0	0
03		892500	CONSTANT DEPRESSION CARB. ASSY 1/3 not available SB-912-044	1	1	0	1	0	0	0
04		892507	CONSTANT DEPRESSION CARB. ASSY 2/4 SB-912-044	1	1	0	1	0	0	0
04		892505	CONSTANT DEPRESSION CARB. ASSY 2/4 not available SB-912-044	1	1	0	1	0	0	0
05		892532	CONSTANT DEPRESSION CARB: ASSY 1/3	0	0	1	0	1	0	0
05		892530	CONSTANT DEPRESSION CARB: ASSY 1/3 not available	0	0	1	0	1	0	0
06		892535	CONSTANT DEPRESSION CARB. ASSY 2/4 not available	0	0	1	0	1	0	0
06		892537	CONSTANT DEPRESSION CARB. ASSY 2/4 Airbox or Airfilter	0	0	1	0	1	0	0
07		892520	CONSTANT DEPRESSION CARB. ASSY 1/3 not available SI-914-015	0	0	0	0	0	1	1
07		892522	CONSTANT DEPRESSION CARB. ASSY 1/3 SI-914-015	0	0	0	0	0	1	1
08		892525	CONSTANT DEPRESSION CARB. ASSY 2/4 incl. throttle potentiometer see chapter 73-00-00 not available SI-914-015	0	0	0	0	0	1	1
08		892527	CONSTANT DEPRESSION CARB. ASSY 2/4 incl. throttle potentiometer see chapter 73-00-00 SI-914-015	0	0	0	0	0	1	1

This page intentionally left blank

Chapter: 73-00-00
PARTS PER CARBURETOR
912 SERIES



912 Series

AE_IPC_2_4_0020

Chapter: 73-00-00
PARTS PER CARBURETOR
912 SERIES

ITEM#	STATUS	PART#	DESCRIPTION	912 A	912 F	912 S	912 UL	912 ULS	914 F	914 UL
01		XXX	CARBURETOR HOUSING not available as spare part	1	1	1	1	1	0	0
02		961200	DIFFUSER	1	1	0	1	0	0	0
02		961202	DIFFUSER	0	0	1	0	1	0	0
03		261608	NEEDLE JET 2.70	0	0	1	0	1	0	0
03		261607	NEEDLE JET 2.72	1	1	0	1	0	0	0
04		963130	MIXING TUBE	1	1	1	1	1	0	0
05		430800	O-RING - 8X2	1	1	1	1	1	0	0
06		827160	SHIM	1	1	1	1	1	0	0
07		268996	MAIN JET 158	1	1	0	1	0	0	0
07		268985	MAIN JET 160 Special jetting according to instructions of the manufacturer	0	0	1	0	1	0	0
07		268984	MAIN JET 155 SB-912-044 optional	1	1	1	1	1	0	0
08		963143	IDLE JET 35	1	1	1	1	1	0	0
08		963141	IDLE JET 30	1	1	1	1	1	0	0
09		831713	O-RING - 3.17X1.78 SI-912-012 SI-914-014	2	2	2	2	2	0	0
10		261708	FLOAT NEEDLE VALVE W. VITON TIP SI-912-012 SI-914-014	1	1	1	1	1	0	0
11		261710	FLOAT NEEDLE CLIP	1	1	1	1	1	0	0
12		861189	FLOATS (PAIR)	1	1	1	1	1	0	0
13		861192	FLOAT BRACKET	1	1	1	1	1	0	0
14		929702	PIN	1	1	1	1	1	0	0
15		961231	CARBURETOR PISTON	1	1	1	1	1	0	0
16		961215	JET NEEDLE	1	1	1	1	1	0	0
17		945786	CIRCLIP	1	1	1	1	1	0	0
18		950430	O-RING - 2.5X1.5	1	1	1	1	1	0	0
19		961293	FIXATION SCREW With clearance for O-Ring (use only together with O-Ring Pos. 18 (part no. 950430))	1	1	1	1	1	0	0
20		861116	DIAPHRAGM	1	1	1	1	1	0	0
21		961241	RETAINING RING	1	1	1	1	1	0	0
22		841210	COMBINED SCREW M4X12	4	4	4	4	4	0	0

Chapter: 73-00-00
PARTS PER CARBURETOR
912 SERIES

ITEM#	STATUS	PART#	DESCRIPTION	912 A	912 F	912 S	912 UL	912 ULS	914 F	914 UL
23		938365	THROTTLE VALVE SPRING	1	1	1	1	1	0	0
24		961250	CHAMBER TOP	1	1	1	1	1	0	0
25		841341	COUNTERSUNK SCREW M5x12	1	1	1	1	1	0	0
26		847910	DISTANCE SLEEVE	1	1	1	1	1	0	0
27		838242	SPRING	1	1	1	1	1	0	0
28		640251	OVAL HEAD SCREW M5x20	1	1	1	1	1	0	0
29		961281	CHOKE HOUSING	1	1	1	1	1	0	0
30		961273	CHOKE VALVE ASSY. 1/3 For cylinder 1 and 3 SI-912-012 SI-914-014	1	1	1	1	1	0	0
30		961278	CHOKE VALVE ASSY. 2/4 For cylinder 2 and 4 SI-912-012 SI-914-014	1	1	1	1	1	0	0
31		950420	O-RING - 5X1.5	1	1	1	1	1	0	0
32		950030	GASKET	1	1	1	1	1	0	0
33		841360	SLOTTED HEAD SCREW M4X14	4	4	4	4	4	0	0
34		848241	CHOKE LEVER INSIDE	1	1	1	1	1	0	0
35		848245	CHOKE LEVER OUTSIDE	1	1	1	1	1	0	0
36		845035	SPRING WASHER 8.3/13.6/0.4	2	2	2	2	2	0	0
37		942290	HEX.NUT M8X1	2	2	2	2	2	0	0
38		938286	RETURN SPRING	1	1	1	1	1	0	0
39		963992	THROTTLE SHAFT	1	1	1	1	1	0	0
40		950020	O-RING - 6X2.0	2	2	2	2	2	0	0
41		963666	THROTTLE VALVE	1	1	1	1	1	0	0
42		941200	SLOTTED HEAD SCREW M3X6	2	2	2	2	2	0	0
43		961267	CABLE SUPPORT ASSY. For cylinder 2 and 4 SI-912-012 SI-914-014	1	1	1	1	1	0	0
43		961262	CABLE SUPPORT ASSY. For cylinder 1 and 3 SI-912-012 SI-914-014	1	1	1	1	1	0	0
44		240357	OVAL HEAD SCREW M4x10	2	2	2	2	2	0	0
45		963162	THROTTLE VALVE STOP SCREW	1	1	1	1	1	0	0
46		848232	STOP LEVER For cylinder 2 and 4	1	1	1	1	1	0	0

Chapter: 73-00-00
PARTS PER CARBURETOR
912 SERIES

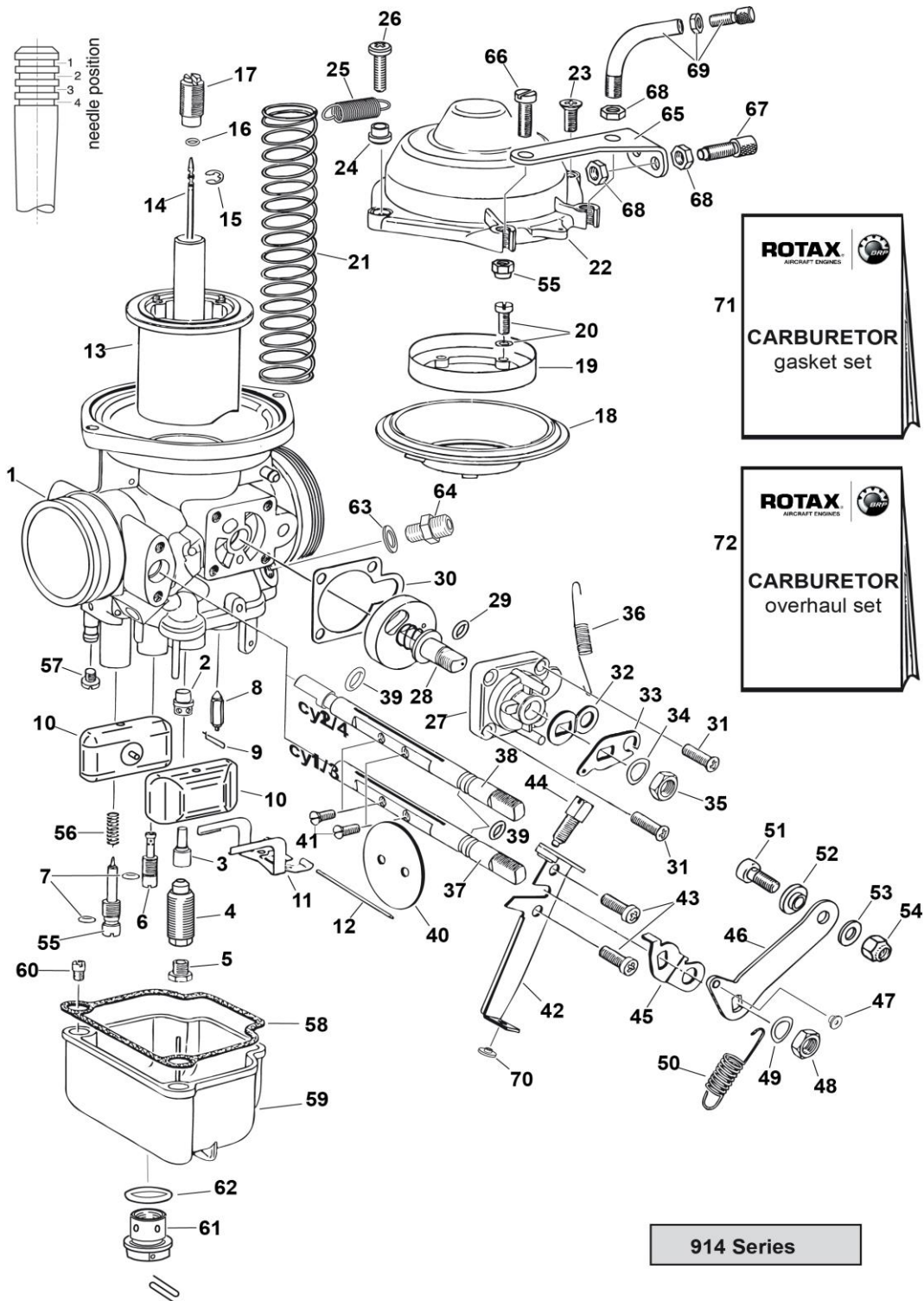
ITEM#	STATUS	PART#	DESCRIPTION	912 A	912 F	912 S	912 UL	912 ULS	914 F	914 UL
46		848230	STOP LEVER For cylinder 1 and 3	1	1	1	1	1	0	0
47		963021	THROTTLE VALVE LEVER LEFT ASSY. Ill. no. 47-48. 52-55 For cylinder 2 and 4 SI-912-012 SI-914-014	1	1	1	1	1	0	0
47		963026	THROTTLE VALVE LEVER RIGHT ASSY. Ill. no. 47-48. 52-55 For cylinder 1 and 3 SI-912-012 SI-914-014	1	1	1	1	1	0	0
48		963015	SLEEVE	1	1	1	1	1	0	0
49		942290	HEX.NUT M8X1	2	2	2	2	2	0	0
50		845035	SPRING WASHER 8.3/13.6/0.4	2	2	2	2	2	0	0
51		938288	RETURN SPRING	1	1	1	1	1	0	0
52		241847	ALLEN SCREW M5X12	1	1	1	1	1	0	0
53		847740	GRADUATED SLEEVE	1	1	1	1	1	0	0
54		827801	WASHER - N - 6 - 200 HV still valid	1	1	1	1	1	0	0
54		827802	WASHER A 5.5	1	1	1	1	1	0	0
55		842031	LOCK NUT - M5	2	2	2	2	2	0	0
55		842032	LOCK NUT - M5 still valid	2	2	2	2	2	0	0
56		961222	IDLE MIXTURE SCREW	1	1	1	1	1	0	0
57		239463	COMPRESSION SPRING DM4.9 D1 L14 SI-912-012 SI-914-014	1	1	1	1	1	0	0
58		941740	SLOTTED HEAD SCREW M3.5X5	1	1	1	1	1	0	0
59		830721	GASKET (viton)	1	1	1	1	1	0	0
60		963231	FLOAT CHAMBER ASSY 1/3 Ill. no. 60-61	1	1	1	1	1	0	0
60		963233	FLOAT CHAMBER ASSY 2/4 Ill. no. 60-61	1	1	1	1	1	0	0
61		268762	JET 105 SI-03-1998 optional	1	1	1	1	1	0	0
61		268758	JET 85	1	1	1	1	1	0	0

Chapter: 73-00-00
PARTS PER CARBURETOR
912 SERIES

ITEM#	STATUS	PART#	DESCRIPTION	912 A	912 F	912 S	912 UL	912 ULS	914 F	914 UL
61		268763	JET 130 SI-03-1998 optional	1	1	1	1	1	0	0
61		268857	JET 120 SI-03-1998 optional	1	1	1	1	1	0	0
61		268765	JET 140 SI-03-1998 optional	1	1	1	1	1	0	0
62		963180	SPRING CLIP	1	1	1	1	1	0	0
63		851074	SUPPORT 2/4 For cylinder 2 and 4	1	1	1	1	1	0	0
63		851072	SUPPORT 1/3 For cylinder 1 and 3	1	1	1	1	1	0	0
64		240761	SLOTTED HEAD SCREW M5X16	1	1	1	1	1	0	0
65		241440	ADJUSTMENT SCREW M6X0.75	1	1	1	1	1	0	0
66		942541	HEX. NUT M6X0.75 HIGHT 3 MM	3	3	3	3	3	0	0
67		861640	BENT TUBE ASSY.	1	1	1	1	1	0	0
68		256035	AIR VENT LINE 120 MM	1	1	1	1	1	0	0
69		963010	SLEEVE	1	1	1	1	1	0	0
70		996946	GASKET SET CARBURETOR Contain parts requirement for 2 carburetors with rubber gasket	1	1	1	1	1	0	0
71		889534	CARBURETOR OVERHAUL SET for 1 carburetor with rubber gasket	2	2	2	2	2	0	0
72		889531	CARBURETOR 200H INSPECTION KIT	1	1	1	1	1	0	0
73		889532	CARBURETOR 5YEARS SERVICE KIT 912/914	1	1	1	1	1	0	0

This page intentionally left blank

Chapter: 73-00-00
PARTS PER CARBURETOR
914 SERIES



AE_IPC_2_4_0021

Chapter: 73-00-00
PARTS PER CARBURETOR
914 SERIES

ITEM#	STATUS	PART#	DESCRIPTION	912 A	912 F	912 S	912 UL	912 ULS	914 F	914 UL
01		XXX	CARBURETOR HOUSING not available as spare part	0	0	0	0	0	1	1
02		961200	DIFFUSER	0	0	0	0	0	1	1
03		261607	NEEDLE JET 2.72	0	0	0	0	0	1	1
04		963135	MIXING TUBE	0	0	0	0	0	1	1
05		268996	MAIN JET 158	0	0	0	0	0	1	1
05		268993	SI-914-015 MAIN JET 164	0	0	0	0	0	1	1
05		268985	SB-914-002 MAIN JET 160	0	0	0	0	0	1	1
05		268997	SI-914-015 MAIN JET 156	0	0	0	0	0	1	1
06		963141	IDLE JET 30	0	0	0	0	0	1	1
06		963143	IDLE JET 35	0	0	0	0	0	1	1
07		831713	O-RING - 3.17X1.78 SI-912-012 SI-914-014	0	0	0	0	0	2	2
08		261708	FLOAT NEEDLE VALVE W. VITON TIP SI-912-012 SI-914-014	0	0	0	0	0	1	1
09		261710	FLOAT NEEDLE CLIP	0	0	0	0	0	1	1
10		861189	FLOATS (PAIR) Package including two floats	0	0	0	0	0	1	1
11		861192	FLOAT BRACKET	0	0	0	0	0	1	1
12		929702	PIN	0	0	0	0	0	1	1
13		961231	CARBURETOR PISTON	0	0	0	0	0	1	1
14		961215	JET NEEDLE	0	0	0	0	0	1	1
15		945786	CIRCLIP	0	0	0	0	0	1	1
16		950430	O-RING - 2.5X1.5	0	0	0	0	0	1	1
17		961293	FIXATION SCREW with clearance for O-ring (use only together with O-Ring Pos. 16 (part no. 950430))	0	0	0	0	0	1	1
18		861116	DIAPHRAGM	0	0	0	0	0	1	1
19		961241	RETAINING RING	0	0	0	0	0	1	1
20		841210	COMBINED SCREW M4X12	0	0	0	0	0	4	4
21		938365	THROTTLE VALVE SPRING	0	0	0	0	0	1	1
22		961250	CHAMBER TOP	0	0	0	0	0	1	1

Chapter: 73-00-00
PARTS PER CARBURETOR
914 SERIES

ITEM#	STATUS	PART#	DESCRIPTION	912 A	912 F	912 S	912 UL	912 ULS	914 F	914 UL
23		841341	COUNTERSUNK SCREW M5x12	0	0	0	0	0	1	1
24		847910	DISTANCE SLEEVE	0	0	0	0	0	1	1
25		838242	SPRING	0	0	0	0	0	1	1
26		640251	OVAL HEAD SCREW M5x20	0	0	0	0	0	1	1
27		961281	CHOKE HOUSING	0	0	0	0	0	1	1
28		961278	CHOKE VALVE ASSY. 2/4 For cylinder 2 and 4 SI-912-012 SI-914-014	0	0	0	0	0	1	1
28		961273	CHOKE VALVE ASSY. 1/3 For cylinder 1 and 3 SI-912-012 SI-914-014	0	0	0	0	0	1	1
29		950420	O-RING - 5X1.5	0	0	0	0	0	1	1
30		950030	GASKET	0	0	0	0	0	1	1
31		841360	SLOTTED HEAD SCREW M4X14	0	0	0	0	0	4	4
32		848241	CHOKE LEVER INSIDE	0	0	0	0	0	1	1
33		848245	CHOKE LEVER OUTSIDE	0	0	0	0	0	1	1
34		845035	SPRING WASHER 8.3/13.6/0.4	0	0	0	0	0	2	2
35		942290	HEX.NUT M8X1	0	0	0	0	0	2	2
36		938286	RETURN SPRING	0	0	0	0	0	1	1
37		963992	THROTTLE SHAFT For cylinder 1 and 3	0	0	0	0	0	1	1
38		963994	THROTTLE SHAFT For cylinder 2 and 4	0	0	0	0	0	1	1
39		950020	O-RING - 6X2.0 at carburetor 1/3 only 1 piece	0	0	0	0	0	2	2
40		963666	THROTTLE VALVE	0	0	0	0	0	1	1
41		941200	SLOTTED HEAD SCREW M3X6	0	0	0	0	0	2	2
42		961262	CABLE SUPPORT ASSY. For cylinder 1 and 3 SI-912-012 SI-914-014	0	0	0	0	0	1	1
42		961267	CABLE SUPPORT ASSY. For cylinder 2 and 4 SI-912-012 SI-914-014	0	0	0	0	0	1	1
43		240357	OVAL HEAD SCREW M4x10	0	0	0	0	0	2	2
44		963162	THROTTLE VALVE STOP SCREW	0	0	0	0	0	1	1

Chapter: 73-00-00
PARTS PER CARBURETOR
914 SERIES

ITEM#	STATUS	PART#	DESCRIPTION	912 A	912 F	912 S	912 UL	912 ULS	914 F	914 UL
45		848230	STOP LEVER For cylinder 1 and 3	0	0	0	0	0	1	1
45		848232	STOP LEVER For cylinder 2 and 4	0	0	0	0	0	1	1
46		963021	THROTTLE VALVE LEVER LEFT ASSY. Ill. no. 46-47. 51-54 For cylinder 2 and 4 SI-912-012 SI-914-014	0	0	0	0	0	1	1
46		963026	THROTTLE VALVE LEVER RIGHT ASSY. Ill. no. 46-47. 51-54 For cylinder 1 and 3 SI-912-012 SI-914-014	0	0	0	0	0	1	1
47		963015	SLEEVE	0	0	0	0	0	1	1
48		942290	HEX.NUT M8X1	0	0	0	0	0	2	2
49		845035	SPRING WASHER 8.3/13.6/0.4	0	0	0	0	0	2	2
50		938288	RETURN SPRING	0	0	0	0	0	1	1
51		241847	ALLEN SCREW M5X12	0	0	0	0	0	1	1
52		847740	GRADUATED SLEEVE	0	0	0	0	0	1	1
53		827802	WASHER A 5.5	0	0	0	0	0	1	1
54		842031	LOCK NUT - M5	0	0	0	0	0	2	2
55		961222	IDLE MIXTURE SCREW	0	0	0	0	0	1	1
56		239463	COMPRESSION SPRING DM4.9 D1 L14 SI-912-012 SI-914-014	0	0	0	0	0	1	1
57		941740	SLOTTED HEAD SCREW M3.5X5	0	0	0	0	0	1	1
58		830721	GASKET rubber gasket	0	0	0	0	0	1	1
59		963236	FLOAT CHAMBER ASSY 1/3 Ill. no. 59-60	0	0	0	0	0	1	1
59		963238	FLOAT CHAMBER ASSY 2/4 Ill. no. 59-60	0	0	0	0	0	1	1
60		268762	JET 105 SI-03-1998 optional	0	0	0	0	0	1	1
60		268763	JET 130 SI-03-1998 optional	0	0	0	0	0	1	1

Chapter: 73-00-00
PARTS PER CARBURETOR
914 SERIES

ITEM#	STATUS	PART#	DESCRIPTION	912 A	912 F	912 S	912 UL	912 ULS	914 F	914 UL
60		268857	JET 120 SI-03-1998 optional	0	0	0	0	0	1	1
60		268758	JET 85	0	0	0	0	0	1	1
60		268765	JET 140 SI-03-1998 optional	0	0	0	0	0	1	1
61		963281	ATTACHMENT SCREW ASSY. Ill. no. 61-62 SI-912-012 SI-914-014	0	0	0	0	0	1	1
62		631772	O-RING - 15.6X1.78 SI-912-012 SI-914-014	0	0	0	0	0	1	1
63		950141	SEALING RING A 8X13	0	0	0	0	0	1	1
64		941853	FUEL LINE CONNECTOR	0	0	0	0	0	1	1
65		851074	SUPPORT 2/4 For cylinder 2 and 4	0	0	0	0	0	1	1
65		851072	SUPPORT 1/3 For cylinder 1 and 3	0	0	0	0	0	1	1
66		240761	SLOTTED HEAD SCREW M5X16	0	0	0	0	0	1	1
67		241440	ADJUSTMENT SCREW M6X0.75	0	0	0	0	0	1	1
68		942541	HEX. NUT M6X0.75 HIGHT 3 MM	0	0	0	0	0	3	3
69		861640	BENT TUBE ASSY.	0	0	0	0	0	1	1
70		963010	SLEEVE	0	0	0	0	0	1	1
71		996946	GASKET SET CARBURETOR Contain parts for 2 carburetors with rubber gasket	0	0	0	0	0	1	1
72		889534	CARBURETOR OVERHAUL SET for 1 carburetor with rubber gasket	0	0	0	0	0	2	2
73		889531	CARBURETOR 200H INSPECTION KIT	0	0	0	0	0	1	1
74		889532	CARBURETOR 5YEARS SERVICE KIT 912/914	0	0	0	0	0	1	1

This page intentionally left blank

Chapter: 73-10-00

INTAKE MANIFOLD, COMPENSATING TUBE ASSY., RUBBER FLANGE ASSY.

ITEM#	STATUS	PART#	DESCRIPTION	912 A	912 F	912 S	912 UL	912 ULS	914 F	914 UL
01		230910	O-RING - 34X2	4	4	4	4	4	4	4
02		867933	INTAKE MANIFOLD 2/4	1	1	1	1	1	1	1
02		867932	INTAKE MANIFOLD 2/4 not available	1	1	1	1	1	1	1
03		867935	INTAKE MANIFOLD 1/3 not available	1	1	1	1	1	1	1
03		867937	INTAKE MANIFOLD 1/3	1	1	1	1	1	1	1
04		827962	WASHER - A 6.4	8	8	8	8	8	8	8
05		240533	ALLEN SCREW - M6x75	4	4	4	4	4	4	4
06		840866	ALLEN SCREW - M6x25	4	4	4	4	4	4	4
07		922242	ANGULAR TUBE 1/4-18NPT	2	2	2	2	2	2	2
08		956142	LOW PRESSURE HOSE OLN(E) in a roll not with Form 1	2	2	2	2	2	2	2
08		956143	TUBE 66 MM SI-912-020 SI-914-022	2	2	2	2	2	2	2
09		924541	COMPENSATING TUBE ASSY. SI-912-020 SI-914-022	1	1	1	1	1	1	1
10		853515	CLAMP 16/9	2	2	2	2	2	2	2
11		953400	BRACKET	2	2	2	2	2	2	2
12		838242	SPRING	1	1	1	1	1	1	1
13		940980	SCREW M3.5 SI-912-020 SI-914-022	1	1	1	1	1	1	1
14		230300	O-RING - 47X270	2	2	2	2	2	2	2
15		267789	RUBBER FLANGE ASSY. SB-912-030 SB-914-019	2	2	2	2	2	2	2
16		250315	WASHER - 8	4	4	4	4	4	4	4
17		940483	HEX. SCREW - M8X30	2	2	2	2	2	0	0
18		240277	HEX. SCREW - M8X25 SI-912-020 SI-914-022	2	2	2	2	2	4	4
19		931640	GASKET Only at intake manifold without O-ring	2	2	0	2	0	0	0
20		874300	DRIP TRAY optional	2	2	2	2	2	2	2
21		230415	SEALING RING A 6X10	2	2	2	2	2	2	2

Chapter: 73-10-00

INTAKE MANIFOLD, COMPENSATING TUBE ASSY., RUBBER FLANGE ASSY.

ITEM#	STATUS	PART#	DESCRIPTION	912 A	912 F	912 S	912 UL	912 ULS	914 F	914 UL
22		641071	HEX.SCREW - M6X6	2	2	2	2	2	2	2
23		956141	TUBE 81 MM SI-912-020 SI-914-022	1	1	1	1	1	1	1

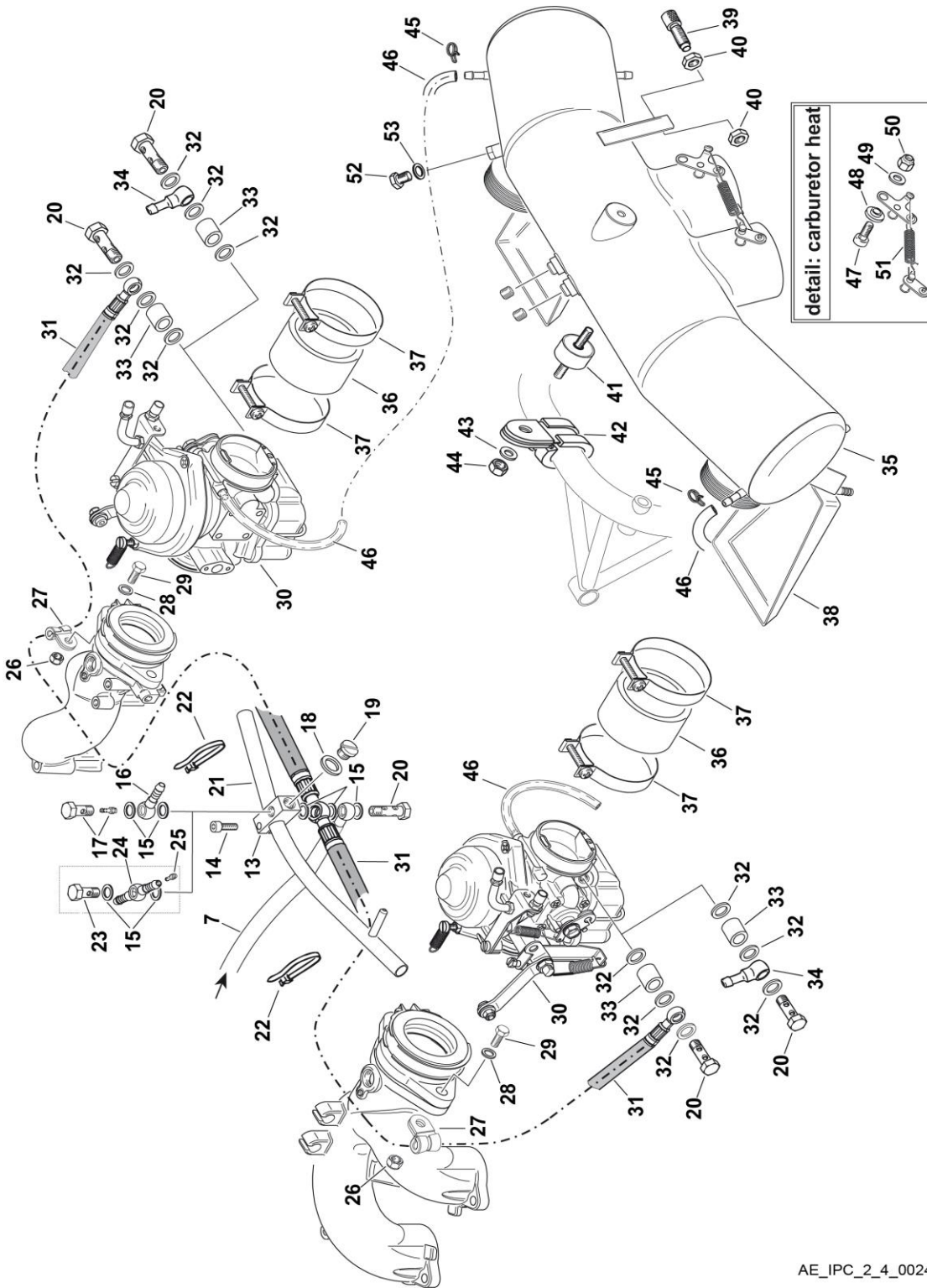
This page intentionally left blank

Chapter: 73-10-00
FUEL PUMP ASSY., FUEL HOSE ASSY., AIRBOX ASSY.



AE_IPC_2_4_0023

Chapter: 73-10-00
FUEL PUMP ASSY., FUEL HOSE ASSY., AIRBOX ASSY.



AE_IPC_2_4_0024

Chapter: 73-10-00
FUEL PUMP ASSY., FUEL HOSE ASSY., AIRBOX ASSY.

ITEM#	STATUS	PART#	DESCRIPTION	912 A	912 F	912 S	912 UL	912 ULS	914 F	914 UL
01		893115	FUEL PUMP Ill. no. 1-3 Marked with S/N SI-912-020	1	1	1	1	1	0	0
02		631870	O-RING - 23.47X2.62	1	1	1	1	1	0	0
03		950228	ISOLATING FLANGE	1	1	1	1	1	0	0
04		840745	NIPPLE 9/5.7 SI-912-020	1	1	1	1	1	0	0
05		840740	NIPPLE 7/3.8 SI-912-020	1	1	1	1	1	0	0
06		250425	GASKET RING 10.2/15/1.5 SI-912-020	2	2	2	2	2	0	0
07		874337	FUEL HOSE ASSY. SI-912-020	1	1	1	1	1	0	0
08		874347	FUEL HOSE ASSY. SI-912-020	1	1	1	1	1	0	0
09		840770	ADAPTER 9/16-18 UNF/ M10 X 1 SI-912-020	1	1	1	1	1	0	0
10		840775	ADAPTER 1/2-20 UNF/ M10 X 1 SI-912-020	1	1	1	1	1	0	0
11		945832	LOCK WASHER - A8	2	2	2	2	2	0	0
12		942674	HEX. NUT M8 (WS 11mm)	2	2	2	2	2	0	0
13		851328	FUEL DISTRIBUTION BLOCK optional	1	1	1	1	1	0	0
14		840518	ALLEN SCREW M5X18 optional	1	1	1	1	1	0	0
15		950143	GASKET RING 8.2/13/1.4 optional	5	5	5	5	5	0	0
16		956312	HOSE NIPPLE 3/4 optional	1	1	1	1	1	0	0
17		840737	BANJO BOLT ASSY. Marked with yellow dot. with orifice optional	1	1	1	1	1	0	0
18		230150	SEALING RING A 10X14 optional	1	1	1	1	1	0	0
19		641733	PLUG SCREW M10X1 optional	1	1	1	1	1	0	0
20		940861	BANJO BOLT M8X1X27	3	3	3	3	3	0	0

Chapter: 73-10-00
FUEL PUMP ASSY., FUEL HOSE ASSY., AIRBOX ASSY.

ITEM#	STATUS	PART#	DESCRIPTION	912 A	912 F	912 S	912 UL	912 ULS	914 F	914 UL
21		924541	COMPENSATING TUBE ASSY. see image AE_IPC_2_4_022 SI-912-020	1	1	1	1	1	0	0
22		866716	TIE WRAP 203x7.6 MM	2	2	2	2	2	0	0
23		840735	BANJO BOLT M8X1X17 optional	1	1	1	1	1	0	0
24		956602	DOUBLE HOSE NIPPLE ASSY. Ill. no. 24-25 With fuel pressure gauge connection optional	1	1	1	1	1	0	0
25		963820	PILOT JET 35 not available	1	1	1	1	1	1	1
25	N	963829	PILOT JET	1	1	1	1	1	0	0
26		942674	HEX. NUT M8 (WS 11mm)	2	2	2	2	2	0	0
27		651430	CABLE CLAMP 12/M8	2	2	2	2	2	0	0
28		250315	WASHER - 8	1	1	1	1	1	0	0
29		940483	HEX. SCREW - M8X30 see chapter 73-10-00	6	6	6	6	6	0	0
30		XXX	CARBURETOR see chapter 73-00-00	1	1	1	1	1	1	1
31		881980	FLEX. FUEL LINE RETROFIT KIT SI-912-020	0	1	1	0	0	0	0
31		874911	FUEL HOSE ASSY. optional	1	0	0	1	1	0	0
31		874911	FUEL HOSE ASSY.	1	1	1	1	1	0	0
32		950141	SEALING RING A 8X13	6	6	6	6	6	0	0
33		847796	SPACER 8.4/12/7.5	2	2	2	2	2	0	0
34		956312	HOSE NIPPLE 3/4	2	2	2	2	2	0	0
35		667355	AIRBOX ASSY. Ill. no. 35-51 Marked with S/N For retrofitting following Service Bulletin has to be noticed SB-912-044 optional	1	1	1	1	1	0	0
36		860985	CONNECTING HOSE 35 MM optional	2	2	2	2	2	0	0
37		853595	CLAMP 59 optional	4	4	4	4	4	0	0

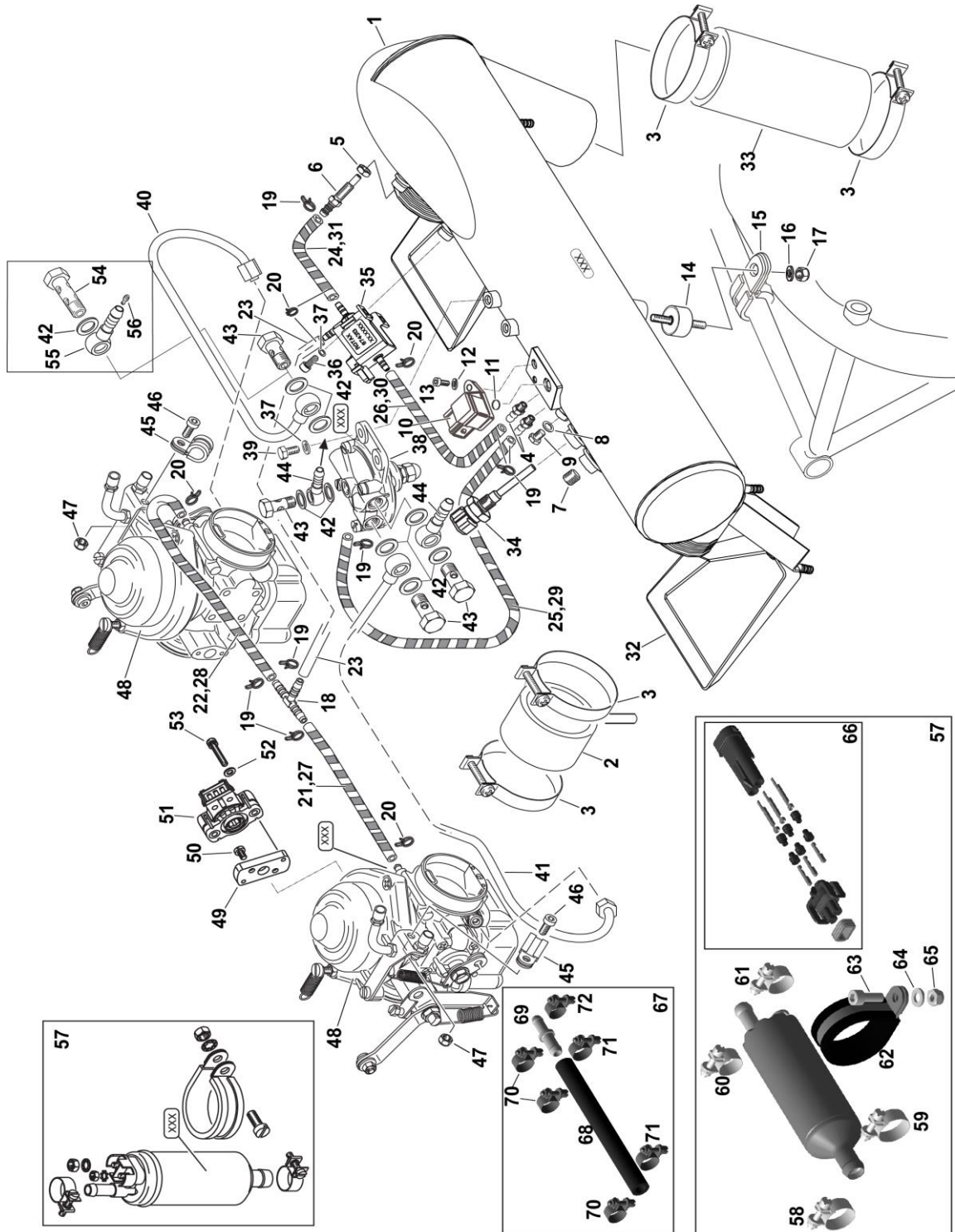
Chapter: 73-10-00
FUEL PUMP ASSY., FUEL HOSE ASSY., AIRBOX ASSY.

ITEM#	STATUS	PART#	DESCRIPTION	912 A	912 F	912 S	912 UL	912 ULS	914 F	914 UL
38		874680	DRIP TRAY SET Drip tray for airbox part no. 867758. 667162 and 667167 optional	1	1	1	1	1	0	0
39		241440	ADJUSTMENT SCREW M6X0.75 optional	1	1	1	1	1	0	0
40		942541	HEX. NUT M6X0.75 HIGHT 3 MM optional	2	2	2	2	2	0	0
41		960151	RUBBER BUFFER 20X15XM6 optional	1	1	1	1	1	0	0
42		853010	CABLE CLAMP 32/M6 optional	1	1	1	1	1	0	0
43		927941	WASHER 6.0/12/1 optional	1	1	1	1	1	0	0
44		842041	LOCK NUT M6 optional	1	1	1	1	1	0	0
45		851370	CLAMP 8.1 optional	4	4	4	4	4	0	0
46		860667	HOSE 4x7 200 MM optional	2	2	2	2	2	0	0
46		860660	HOSE 4X7 in a roll by meter non certified as required	1	1	1	1	1	0	0
47		241848	ALLEN SCREW M5X12 optional	1	1	1	1	1	0	0
48		847741	GRADUATED SLEEVE optional	1	1	1	1	1	0	0
49		827801	WASHER I- N - 6 - 200 HV optional	1	1	1	1	1	0	0
50		842032	LOCK NUT M5 optional	1	1	1	1	1	0	0
51		938030	SPRING optional	1	1	1	1	1	0	0
52		240772	HEX.SCREW - M6X10 optional	1	1	1	1	1	0	0
53		230415	SEALING RING A 6X10 optional	1	1	1	1	1	0	0

This page intentionally left blank

Chapter: 73-10-00

AIRBOX ASSY., 3-WAY SOLENOID VALVE ASSY., FUEL PRESSURE REGULATOR ASSY.



AE_IPC_2_4_0025

Chapter: 73-10-00

AIRBOX ASSY., 3-WAY SOLENOID VALVE ASSY., FUEL PRESSURE REGULATOR ASSY.

ITEM#	STATUS	PART#	DESCRIPTION	912 A	912 F	912 S	912 UL	912 ULS	914 F	914 UL
01		667574	AIRBOX ASSY. Ill. no. 1-33 Marked with S/N	0	0	0	0	0	1	1
01		XXX	AIRBOX	0	0	0	0	0	1	1
02		860985	CONNECTING HOSE 35 MM	0	0	0	0	0	2	2
03		853595	CLAMP 59	0	0	0	0	0	6	6
04		940551	HOSE NIPPLE M6	0	0	0	0	0	2	2
05		242032	HEX.NUT BM6 6.6	0	0	0	0	0	1	1
06		940555	HOSE NIPPLE M6	0	0	0	0	0	1	1
07		240481	PLUG SCREW 1/8-27NPT	0	0	0	0	0	1	1
08		230415	SEALING RING A 6X10	0	0	0	0	0	1	1
09		641071	HEX.SCREW - M6X6	0	0	0	0	0	1	1
10		966502	AIRBOX PRESSURE SENSOR see chapter 76-10-00	0	0	0	0	0	1	1
11		430205	O-RING - 6.4X1.8	0	0	0	0	0	1	1
12		244216	WASHER 6.2/14/1	0	0	0	0	0	1	1
13		840392	ALLEN SCREW- M6x14	0	0	0	0	0	1	1
14		960151	RUBBER BUFFER 20X15XM6	0	0	0	0	0	1	1
15		853010	CABLE CLAMP 32/M6	0	0	0	0	0	1	1
16		927941	WASHER 6.0/12/1	0	0	0	0	0	3	3
17		842041	LOCK NUT M6	0	0	0	0	0	1	1
18		874270	T-PIECE 6-6-6	0	0	0	0	0	2	2
19		851370	CLAMP 8.1	0	0	0	0	0	7	7
20		951595	CLAMP 7.3	0	0	0	0	0	5	5
21		860660	HOSE 4X7 Ill. no. 21-26 in a roll by meter non certified as required	0	0	0	0	0	1	1
21		860674	HOSE 4X7 270 MM	0	0	0	0	0	1	1
22		860673	HOSE 4X7 235 MM	0	0	0	0	0	1	1
23		860661	HOSE 4X7 35 MM	0	0	0	0	0	1	1
24		860669	HOSE 4X7 145 MM	0	0	0	0	0	1	1
25		860672	HOSE 4X7 160 MM	0	0	0	0	0	1	1
26		860671	HOSE 4X7 190 MM	0	0	0	0	0	1	1
27		966066	SPIRAL HOSE 270 MM	0	0	0	0	0	1	1

Chapter: 73-10-00

AIRBOX ASSY., 3-WAY SOLENOID VALVE ASSY., FUEL PRESSURE REGULATOR ASSY.

ITEM#	STATUS	PART#	DESCRIPTION	912 A	912 F	912 S	912 UL	912 ULS	914 F	914 UL
27		966060	SPIRAL HOSE 6.5X8.5X0.6 Ill. no. 27-31 in a roll by meter non certified as required	0	0	0	0	0	1	1
28		966065	SPIRAL HOSE 225 MM	0	0	0	0	0	1	1
29		966061	HELICAL TAPE 130 MM	0	0	0	0	0	1	1
30		966064	SPIRAL HOSE 165 MM	0	0	0	0	0	1	1
31		966061	HELICAL TAPE 130 MM	0	0	0	0	0	1	1
32		874680	DRIP TRAY SET	0	0	0	0	0	1	1
33		860984	AIR INTAKE HOSE 250 MM	0	0	0	0	0	1	1
34		966435	RESISTANCE THERMOMETER	0	0	0	0	0	1	1
35		874313	3-WAY SOLENOID VALVE ASSY.	0	0	0	0	0	1	1
36		840392	ALLEN SCREW- M6x14	0	0	0	0	0	2	2
37		945831	LOCK WASHER - A6	0	0	0	0	0	4	4
38		887130	FUEL PRESSURE REGULATOR ASSY.	0	0	0	0	0	1	1
39		241187	HEX.SCREW - M6X16	0	0	0	0	0	2	2
40		874290	FUEL HOSE ASSY. 1/3	0	0	0	0	0	1	1
41		874280	FUEL HOSE ASSY. 2/4	0	0	0	0	0	1	1
42		230150	SEALING RING A 10X14	0	0	0	0	0	9	9
43		241073	BANJO BOLT M10X1X19	0	0	0	0	0	4	4
44		956314	HOSE NIPPLE 4/6	0	0	0	0	0	2	2
45		851115	CABLE CLAMP 5/M5	0	0	0	0	0	2	2
46		241842	ALLEN SCREW - M5X12	0	0	0	0	0	2	2
47		842032	LOCK NUT M5	0	0	0	0	0	2	2
48		XXX	CARBURETOR see chapter 73-10-00	0	0	0	0	0	2	2
49		861931	ADAPTER included in carburetor	0	0	0	0	0	1	1
50		640181	SLOTTED HEAD SCREW M4X10 - MK included in carburetor	0	0	0	0	0	2	2
51		966482	THROTTLE VALVE POSITION SENSOR included in carburetor	0	0	0	0	0	1	1
52		944152	WASHER B 4.3 included in carburetor	0	0	0	0	0	2	2
53		841030	COMBINED SCREW M4X22 included in carburetor	0	0	0	0	0	2	2

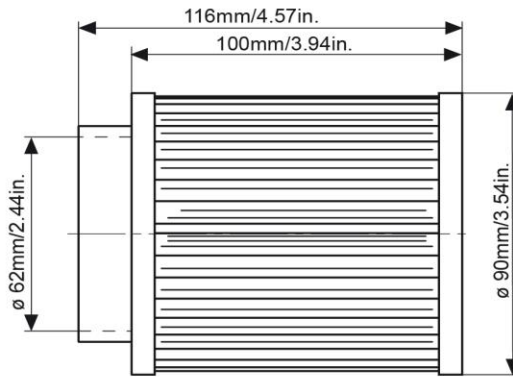
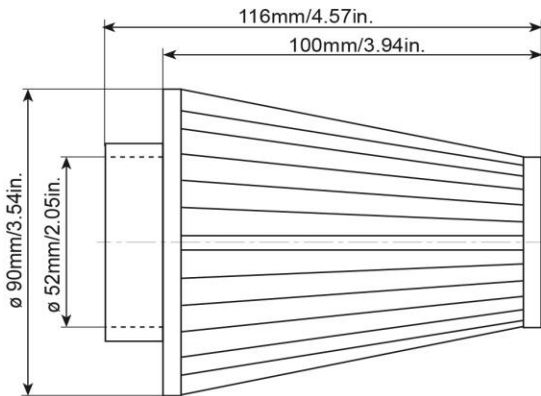
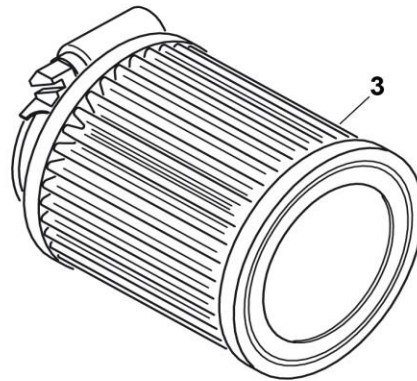
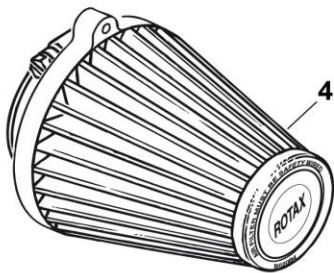
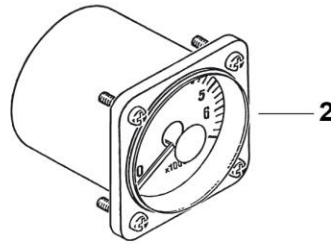
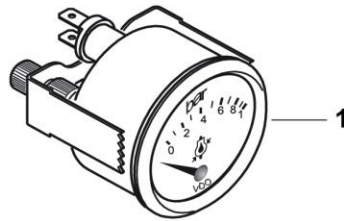
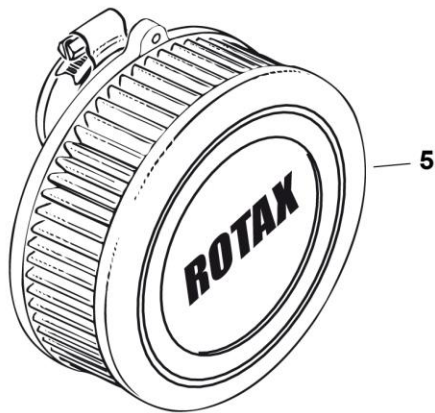
Chapter: 73-10-00

AIRBOX ASSY., 3-WAY SOLENOID VALVE ASSY., FUEL PRESSURE REGULATOR ASSY.

ITEM#	STATUS	PART#	DESCRIPTION	912 A	912 F	912 S	912 UL	912 ULS	914 F	914 UL
54		940873	BANJO BOLT M10X1X30 not available Optional for fuel pressure gauge connection optional	0	0	0	0	0	1	1
54		241072	BANJO BOLT M10X1X30 Optional for fuel pressure gauge connection optional	0	0	0	0	0	1	1
55		956314	HOSE NIPPLE 4/6 Optional for fuel pressure gauge cennection optional	0	0	0	0	0	1	1
56		963143	IDLE JET 35 Optional for fuel pressure gauge connection Press into part at pos. 56 optional	0	0	0	0	0	1	1
57		881365	FUEL PUMP SET PACKAGED Ill. no. 57-66 SI-914-035	0	0	0	0	0	2	2
58		951826	HOSE CLAMP - 19x9	0	0	0	0	0	1	1
59		951828	HOSE CLAMP - 20x9	0	0	0	0	0	1	1
60		951822	HOSE CLAMP - 15x9	0	0	0	0	0	1	1
61		951824	HOSE CLAMP - 16x9	0	0	0	0	0	1	1
62		853482	CLAMP - 37x15	0	0	0	0	0	1	1
63		241237	ALLEN SCREW - M6x16	0	0	0	0	0	1	1
64		827962	WASHER - A 6.4	0	0	0	0	0	1	1
65		842042	LOCK NUT M6	0	0	0	0	0	1	1
66		881304	CONNECTOR SET FUEL PUMP	0	0	0	0	0	1	1
67		881367	HOSE REDUCTION SET PACKAGED Ill. no. 67-72 SI-914-035	0	0	0	0	0	2	2
68		974080	FUEL HOSE 9.3X3X150	0	0	0	0	0	1	1
69		874375	REDUCTION NIPPLE 9.8/8.5	0	0	0	0	0	1	1
70		951822	HOSE CLAMP - 15x9	0	0	0	0	0	3	3
71		951824	HOSE CLAMP - 16x9	0	0	0	0	0	2	2
72		951821	HOSE CLAMP - 14x9	0	0	0	0	0	1	1

Chapter: 73-10-00
INSTRUMENTS, AIR FILTER

CHAPTER INCLUDES ONLY
NOT CERTIFIED PARTS



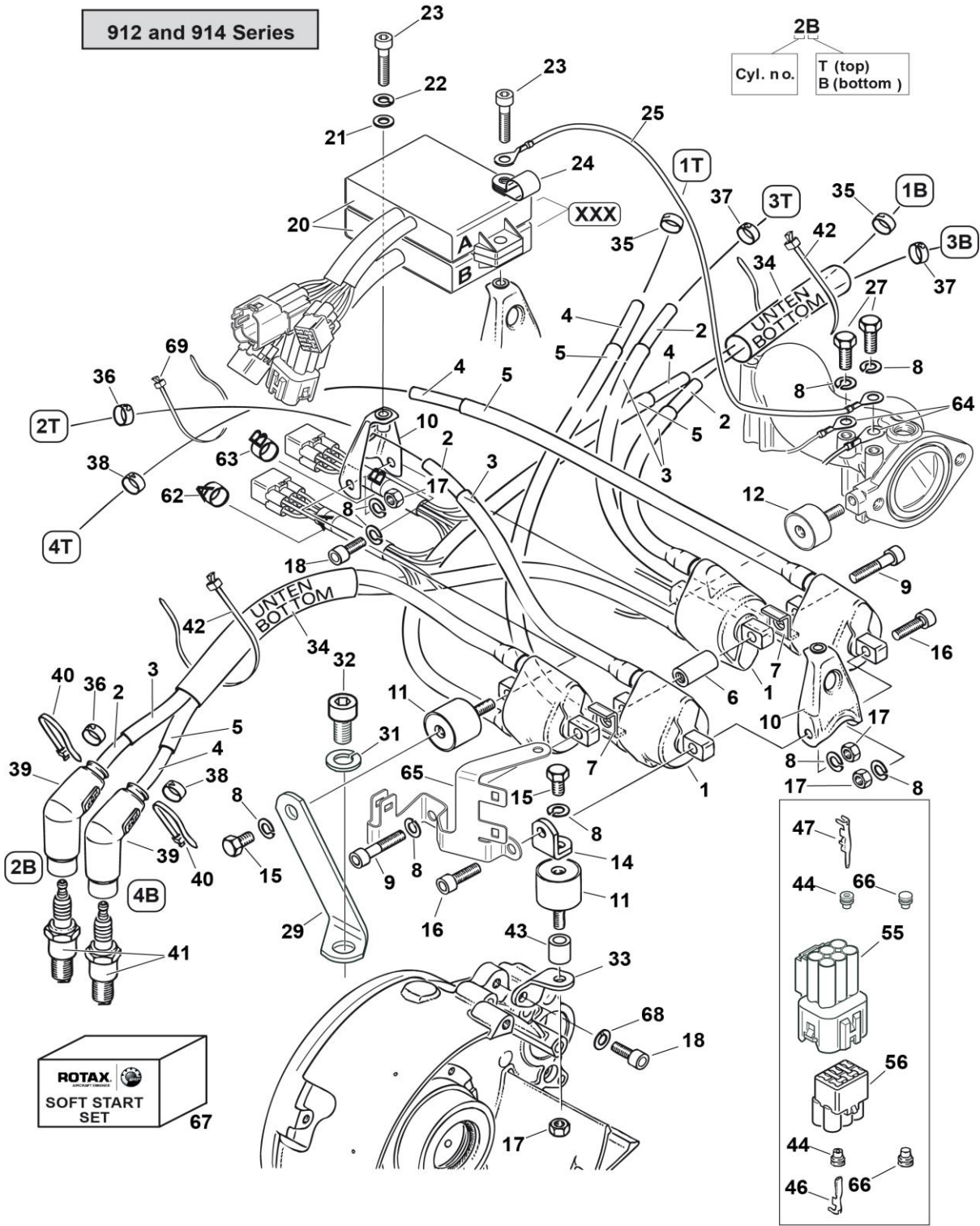
AE_IPC_2_4_0026

Chapter: 73-10-00
INSTRUMENTS, AIR FILTER

ITEM#	STATUS	PART#	DESCRIPTION	912 A	912 F	912 S	912 UL	912 ULS	914 F	914 UL
01		956520	PRESSURE GAUGE 0-10 BAR For oil pressure; for old VDO sensor. not usable with part no. 456180 optional	1	1	1	1	1	1	1
02		966408	REV. COUNTER 0-7000 RPM For engine speed optional	1	1	1	1	1	1	1
03		825750	AIR FILTER still valid	0	0	0	0	0	1	1
03		825751	AIR FILTER optional	0	0	0	0	0	1	1
04		825551	AIR FILTER still valid	2	2	2	2	2	0	0
04		825553	AIR FILTER optional	2	2	2	2	2	0	0
05		825712	AIR FILTER Following Service Instruction has to be noticed SI-912-017 current issue optional	2	2	2	2	2	0	0
05		825711	AIR FILTER still valid	2	2	2	2	2	0	0

Chapter: 74-20-00

DOUBLE IGNITION COIL ASSY., SMD-ELECTRONIC MODULE



AE_IPC_2_4_0027

Chapter: 74-20-00

DOUBLE IGNITION COIL ASSY., SMD-ELECTRONIC MODULE

ITEM#	STATUS	PART#	DESCRIPTION	912 A	912 F	912 S	912 UL	912 ULS	914 F	914 UL
01		966218	DOUBLE IGNITION COIL ASSY Ill. no. 1-5 Including ignition cables and protection hoses	4	4	4	4	4	4	4
02		865712	IGNITION CABLE 490 MM	4	4	4	4	4	4	4
02		865711	IGNITION CABLE 7 MM still valid in a roll. Ignition cable 4.5 m not with Form 1 available as required	1	1	1	1	1	1	1
03		860992	HEAT PROTECTION HOSE 440 MM	4	4	4	4	4	4	4
03		860991	PROTECTION HOSE 8X1 still valid In a roll. Protection hose 4.1 m not with Form 1 available as required	1	1	1	1	1	1	1
04		865718	IGNITION CABLE 600 MM	4	4	4	4	4	4	4
04		865711	IGNITION CABLE 7 MM still valid In a roll. Ignition cable 4.5 m not with Form 1 available as required	1	1	1	1	1	1	1
05		860991	PROTECTION HOSE 8X1 still valid In a roll. Protection hose 4.1 m not with Form 1 available as required	1	1	1	1	1	1	1
05		860993	HEAT PROTECTION HOSE 550 MM	4	4	4	4	4	4	4
06		842742	DISTANCE NUT M6X22.5	1	1	1	1	1	1	1
07		953390	SEPARATING PLATE	2	2	2	2	2	2	2
08		945831	LOCK WASHER - A6	9	9	9	9	9	9	9
09		840883	ALLEN SCREW M6X30	2	2	2	2	2	2	2
10		953127	IGNITION COIL BRACKET ASS'Y	2	2	2	2	2	2	2
11		860710	RUBBER BUFFER 25X20XM6	2	2	2	2	2	2	2
12		960060	RUBBER BUFFER 25X15XM6	1	1	1	1	1	1	1
14		851260	IGNITION COIL BRACKET 1	1	1	1	1	1	1	1
15		240772	HEX.SCREW - M6X10	2	2	2	2	2	2	2
16		241935	ALLEN SCREW - M6x20	2	2	2	2	2	2	2
17		242214	HEX.NUT M6	4	4	4	4	4	4	4
18		241237	ALLEN SCREW - M6x16	3	3	3	3	3	3	3

Chapter: 74-20-00

DOUBLE IGNITION COIL ASSY., SMD-ELECTRONIC MODULE

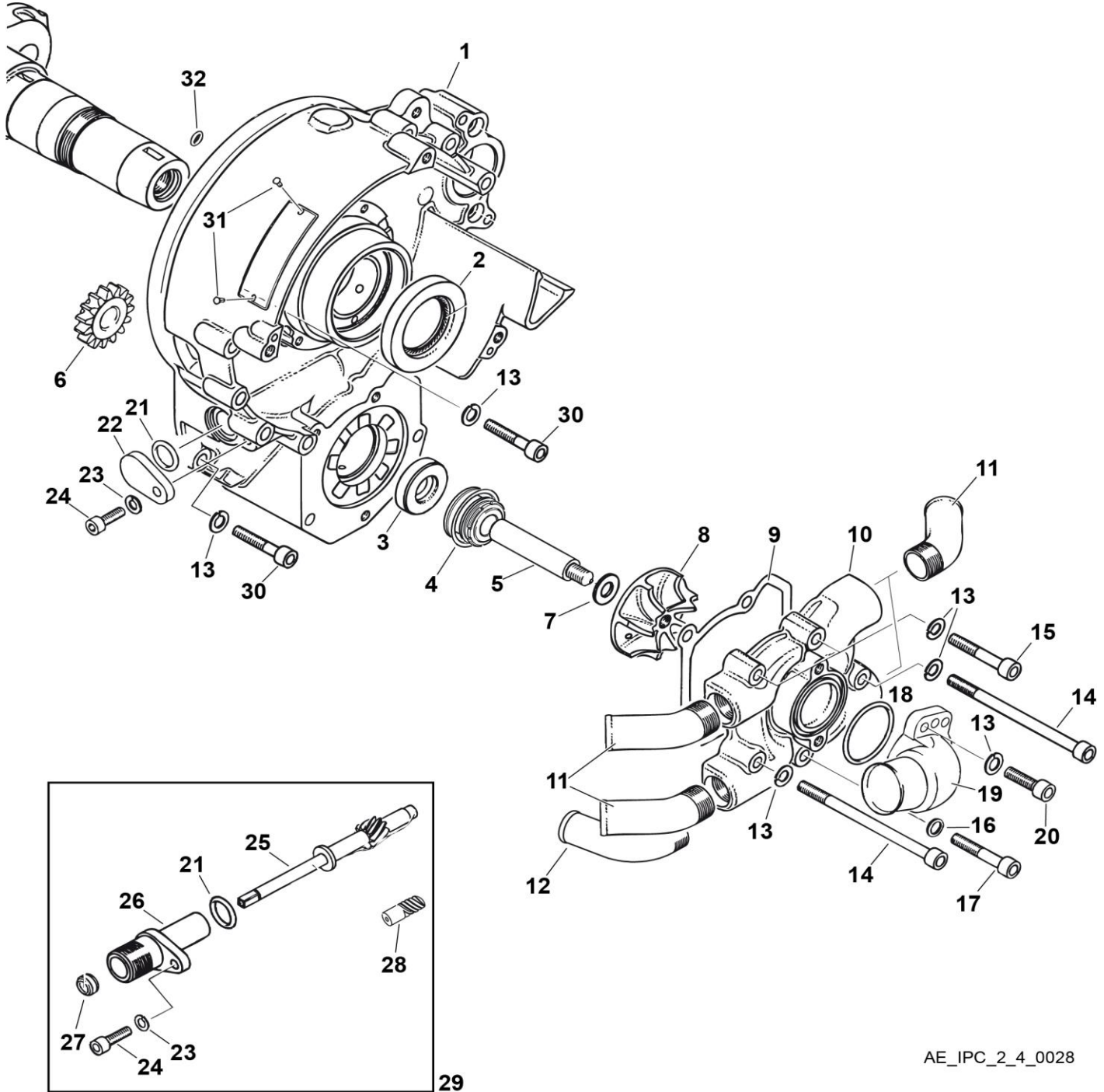
ITEM#	STATUS	PART#	DESCRIPTION	912 A	912 F	912 S	912 UL	912 ULS	914 F	914 UL
20		965443	IGNITION MODULE (6p+6p+single con.) SI-912-013 SI-914-016	0	0	0	0	0	2	2
20		965445	IGNITION MODULE (6p+6p+single con.) SI-912-020 SI-914-022	2	2	2	2	2	0	0
21		827801	WASHER - N - 6 - 200 HV	1	1	1	1	1	1	1
22		945830	LOCK WASHER - A5	1	1	1	1	1	1	1
23		240187	ALLEN SCREW - M5x25	2	2	2	2	2	2	2
24		851118	CABLE CLAMP 11.3/M5	1	1	1	1	1	1	1
25		965788	MASS CABLE ASSY.	1	1	1	1	1	1	1
26		965781	MASS CABLE ASSY.	2	2	0	2	0	2	2
27		241187	HEX.SCREW - M6X16	1	1	2	1	2	1	1
29		851481	IGNITION COIL BRACKET 3	1	1	1	1	1	1	1
31		945832	LOCK WASHER - A8	1	1	1	1	1	1	1
32		440192	ALLEN SCREW - M8x16	1	1	1	1	1	1	1
33		851267	BRACKET 2	1	1	1	1	1	1	1
34		860734	GLASS FIBER-SILICON SHEATING 120	2	2	2	2	2	2	2
35		860741	MARKING SLEEVE 1	2	2	2	2	2	2	2
36		860742	MARKING SLEEVE 2	2	2	2	2	2	2	2
37		860743	MARKING SLEEVE 3	2	2	2	2	2	2	2
38		860744	MARKING SLEEVE 4	2	2	2	2	2	2	2
39		265249	SPARK PLUG CONNECTOR	8	8	8	8	8	8	8
40		866710	TIE WRAP 142X2.5 MM	8	8	8	8	8	8	8
41		297656	SPARK PLUG 12	8	8	8	8	8	8	8
42	N	251921	TIE WRAP 290X3.7 MM	2	2	2	2	2	2	2
42		251920	TIE WRAP 279X3.6 MM still valid	2	2	2	2	2	2	2
43		847701	SPACER 6.5/10/11	0	0	0	0	0	1	1
43		847701	SPACER 6.5/10/11 Necessary at version with ring mount optional	1	1	1	1	1	0	0
44		260130	CABLE GROMMET as required	1	1	1	1	1	1	1
46		265275	FASTON CONNECTOR as required	1	1	1	1	1	1	1

Chapter: 74-20-00

DOUBLE IGNITION COIL ASSY., SMD-ELECTRONIC MODULE

ITEM#	STATUS	PART#	DESCRIPTION	912 A	912 F	912 S	912 UL	912 ULS	914 F	914 UL
47		265210	FLAT PIN TERMINAL as required	1	1	1	1	1	1	1
55		265269	CONNECTOR HOUSING 6-POLE as required	1	1	1	1	1	1	1
56		265265	CONNECTOR HOUSING 6-POLE as required	1	1	1	1	1	1	1
62		960010	SHRINKABLE HOSE IMPRINTED letter A printed on	1	1	1	1	1	1	1
63		960015	SHRINKABLE HOSE IMPRINTED letter B printed on	1	1	1	1	1	1	1
64		965784	MASS CABLE ASSY. SI-912-013 SI-914-016	2	2	2	2	2	2	2
65		853125	CONNECTOR BRACKET SI-912-013 SI-914-016	1	1	1	1	1	1	1
66		260135	DUMMY PLUG SI-912-013 SI-914-016	1	1	1	1	1	1	1
67		881280	SOFT START SET Consisting of 20. 21. 22. 23. 44. 46	1	1	1	1	1	1	1
68		827962	WASHER - A 6.4	1	1	1	1	1	1	1
69		866714	TIE WRAP 142x3.2 MM	2	2	2	2	2	2	2
70		964081	STARTER CABLE ASSY. - EASY START SI-912-028	1	1	1	1	1	0	0

Chapter: 75-20-00
WATER PUMP WITH DRIVE



AE_IPC_2_4_0028

Chapter: 75-20-00
WATER PUMP WITH DRIVE

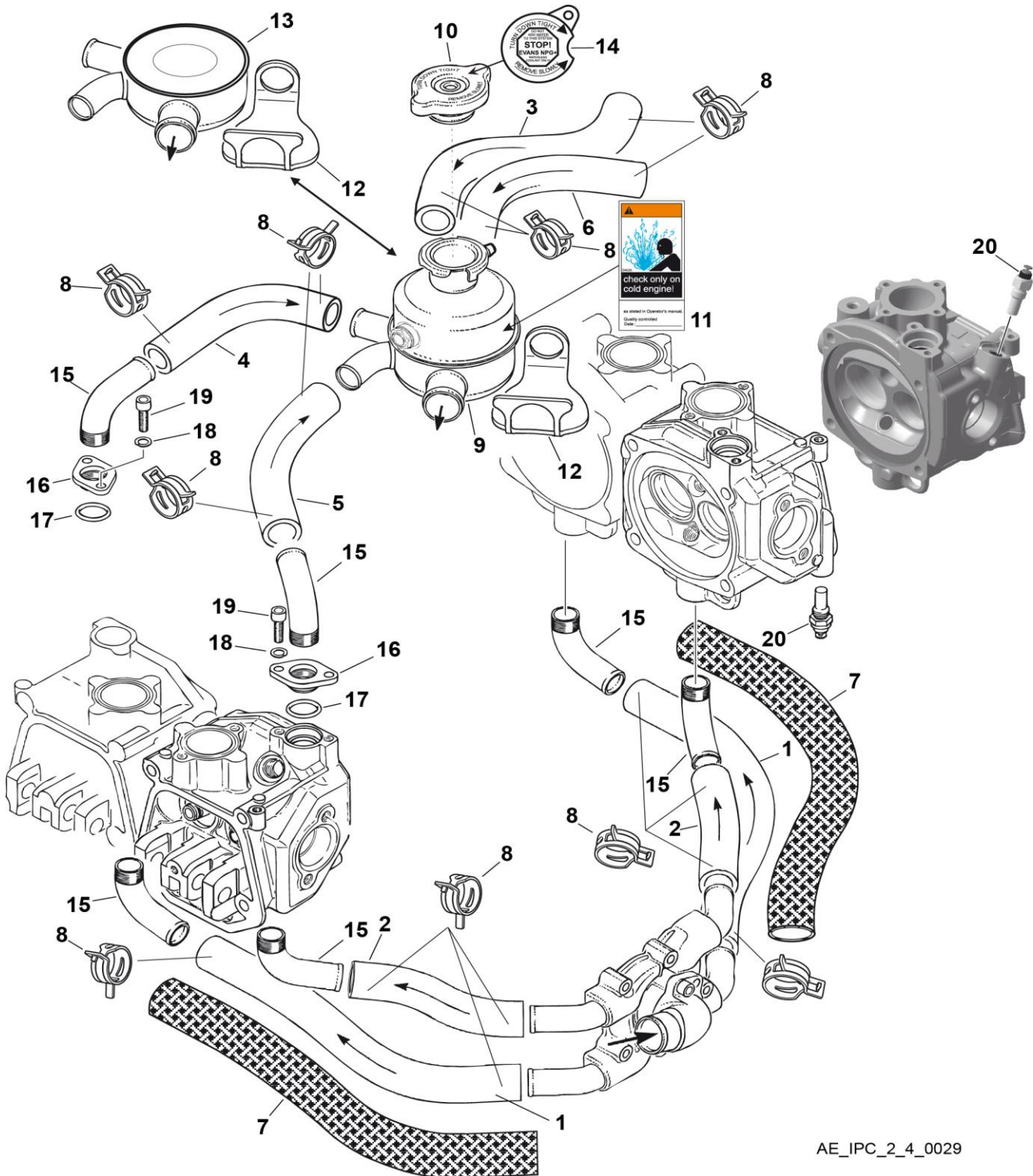
ITEM#	STATUS	PART#	DESCRIPTION	912 A	912 F	912 S	912 UL	912 ULS	914 F	914 UL
01		612048	IGNITION HOUSING ASSY. Without machining for mech. rev counter drive	1	1	1	1	1	1	1
01		612049	IGNITION HOUSING ASSY. For mech. rev counter drive. instead mech. rev. counter drive install item no. 21. 22. 23. 24	1	1	1	1	1	1	1
02		850965	OIL SEAL A 32X52X7	1	1	1	1	1	1	1
03		850978	OIL SEAL BAUM1X7 12X30X7	1	1	1	1	1	1	1
04		850946	ROTARY SEAL	1	1	1	1	1	1	1
05		837112	PUMP SHAFT	1	1	1	1	1	1	1
06		834136	WATER PUMP GEAR 15 T	1	1	1	1	1	1	1
07		926274	WASHER 8.2/12.5/1.5 Stainless	1	1	1	1	1	1	1
08		922224	IMPELLER	1	1	1	1	1	1	1
09	N	850983	GASKET	1	1	1	1	1	1	1
09		850981	GASKET still valid	1	1	1	1	1	1	1
10		922202	WATER PUMP HOUSING	1	1	1	1	1	1	1
11		922238	BENT SOCKET 45 DEGREES	4	4	4	4	4	4	4
12		922236	BENT SOCKET 80 DEGREES Optional for engine suspension frame	1	1	1	1	1	1	1
13		827962	WASHER - A 6.4	13	13	13	13	13	13	13
14		241482	ALLEN SCREW- M6x90	2	2	2	2	2	2	2
15		241814	ALLEN SCREW M6X35	2	2	2	2	2	2	2
16		230415	SEALING RING A 6X10	1	1	1	1	1	1	1
17		241813	ALLEN SCREW M6X35. STAINLESS Stainless	1	1	1	1	1	1	1
18		230020	O-RING - 32X2	1	1	1	1	1	1	1
19		922218	WATER INLET ELBOW	1	1	1	1	1	1	1
20		241935	ALLEN SCREW - M6x20	2	2	2	2	2	2	2
21		230880	O-RING - 13.3X2.4	1	1	1	1	1	1	1
22		810620	COVER PLATE	1	1	1	1	1	1	1
23		927574	WASHER 5.3	1	1	1	1	1	1	1
24		840514	ALLEN SCREW - M5x16	1	1	1	1	1	1	1
25		837152	REV. COUNTER SHAFT	1	1	1	1	1	1	1
25		837150	REV. COUNTER SHAFT still valid	1	1	1	1	1	1	1
26		912191	REV. COUNTER HOUSING	1	1	1	1	1	1	1

Chapter: 75-20-00
WATER PUMP WITH DRIVE

ITEM#	STATUS	PART#	DESCRIPTION	912 A	912 F	912 S	912 UL	912 ULS	914 F	914 UL
27		930500	OIL SEAL 6X11X3/4.5	1	1	1	1	1	1	1
28		834182	WORM GEAR 5 T.	1	1	1	1	1	1	1
29		881692	MECH.REV.COUNTER DRIVE RETROFIT KIT Ill. no. 29. 1-8. 13. 30 See Maintenance Manual Heavy (MMH) of the respective engine type. current issue optional	1	1	1	1	1	1	1
30		840888	ALLEN SCREW - M6x30	7	7	7	7	7	7	7
31		249071	GROOVED PIN	2	2	2	2	2	2	2
32		831929	O-RING - 5X2 see chapter 79-20-00 see chapter 72-20-00	1	1	1	1	1	1	1

This page intentionally left blank

Chapter: 75-20-00
EXPANSION TANK WITH HOSES AND CONNECTIONS



AE_IPC_2_4_0029

Chapter: 75-20-00

EXPANSION TANK WITH HOSES AND CONNECTIONS

ITEM#	STATUS	PART#	DESCRIPTION	912 A	912 F	912 S	912 UL	912 ULS	914 F	914 UL
01		922250	WATER HOSE - 17X4 Ill. no. 1-5 In a roll. not with Form 1 as required	1	1	1	1	1	1	1
01		922362	WATER TUBE 280 +/-3 MM Supply cylinder 1 and 2	2	2	2	2	2	2	2
02		922360	WATER TUBE 180 +/-3 MM Supply cylinder 3 and 4	2	2	2	2	2	2	2
03		922361	WATER TUBE 285 MM Discharge cylinder 1	1	1	1	1	1	1	1
04		922363	WATER TUBE 200 MM Discharge cylinder 2	1	1	1	1	1	1	1
05		922364	WATER TUBE 85 MM Discharge cylinder 4	1	1	1	1	1	1	1
06		922192	FORM HOSE 90 DEGR. Discharge cylinder 3	1	1	1	1	1	1	1
07		860650	PROTECTION TUBE (HEAT RESISTANT) In a roll. not with Form 1 as required	0	0	0	0	0	1	1
07		860651	PROTECTION TUBE HEAT RESISTANT 230 MM	0	0	0	0	0	2	2
08		851645	SELF COMPENSATING CLAMP 25 SI-912-020 SI-914-022	16	16	16	16	16	16	16
09		922666	EXPANSION TANK ASSY. Ill. no. 9-12 SI-912-020 SI-914-022	1	1	1	1	1	1	1
10		922072	RADIATOR CAP WITH GASKET 1.2 BAR SI-912-020 SI-914-022	1	1	1	1	1	1	1
11		897506	WARNING LABEL	1	1	1	1	1	1	1
12		860829	RUBBER PLATE	1	1	1	1	1	1	1
13		922265	WATER DISTRIBUTOR ASSY. Water distributor instead expansion tank for radiator installation above engine. optional	1	1	1	1	1	1	1
14		898490	WARNING LABEL EVANS COOLANT as required	1	1	1	1	1	1	1
15		922238	BENT SOCKET 45 DEGREES optional	8	8	8	8	8	8	8

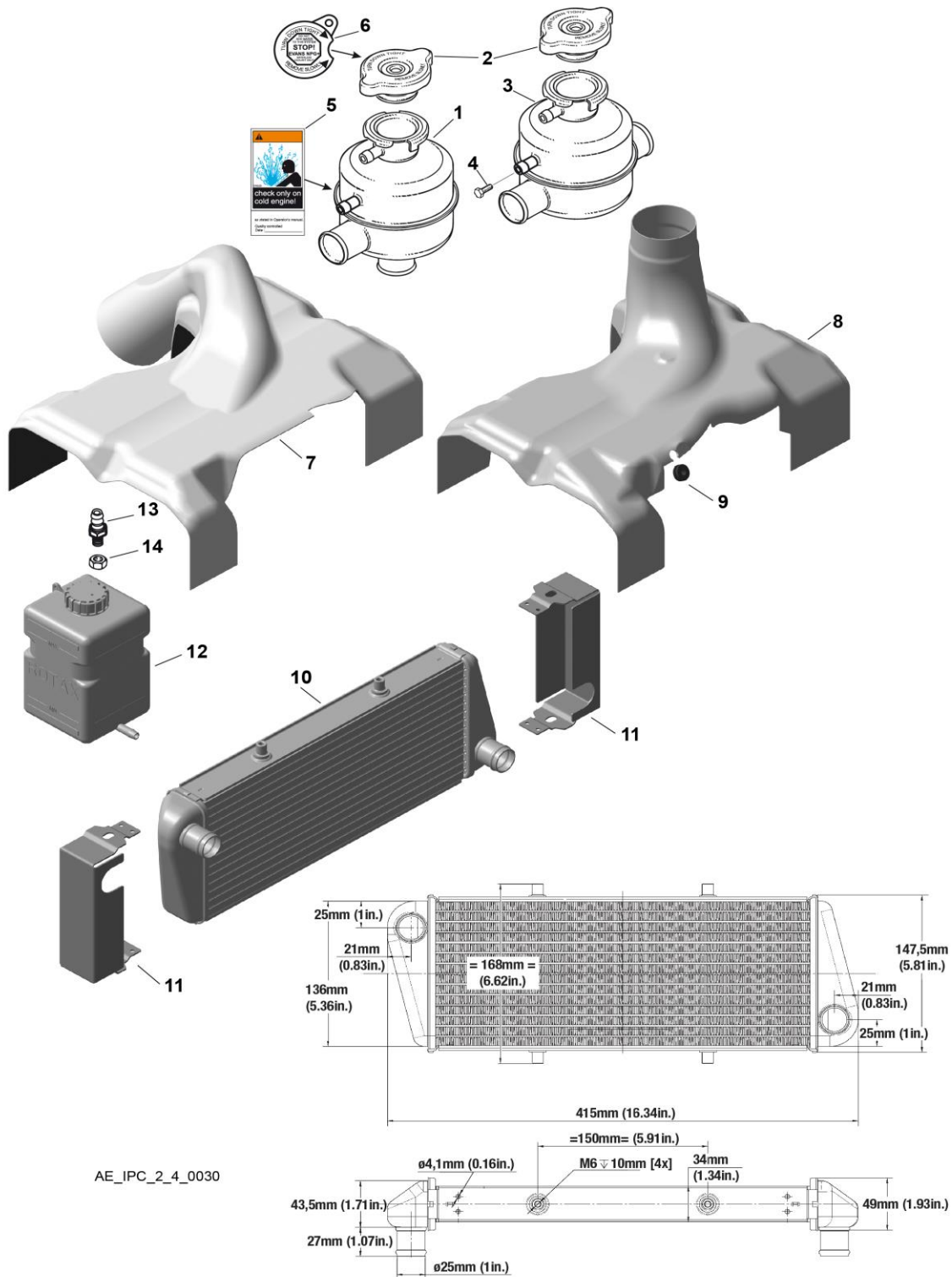
Chapter: 75-20-00
EXPANSION TANK WITH HOSES AND CONNECTIONS

ITEM#	STATUS	PART#	DESCRIPTION	912 A	912 F	912 S	912 UL	912 ULS	914 F	914 UL
15		922236	BENT SOCKET 80 DEGREES	8	8	8	8	8	8	8
16		922303	FLANGE	4	4	4	4	4	4	4
17		950180	O-RING - 19X2	4	4	4	4	4	4	4
18		827962	WASHER - A 6.4	8	8	8	8	8	8	8
19		241935	ALLEN SCREW - M6x20	8	8	8	8	8	8	8
20		965531	TEMPERATURE SENSOR	2	2	2	2	2	2	2
			SI-912-020							
			SI-914-022							

This page intentionally left blank

Chapter: 75-20-00

COOLING AIR BAFFLE, OVERFLOW BOTTLE WITH CAP, RADIATOR



Chapter: 75-20-00

COOLING AIR BAFFLE, OVERFLOW BOTTLE WITH CAP, RADIATOR

ITEM#	STATUS	PART#	DESCRIPTION	912 A	912 F	912 S	912 UL	912 ULS	914 F	914 UL
01		622052	EXPANSION TANK 90 DEGREE Ill. no. 1-2 optional	1	1	1	1	1	1	1
02		922072	RADIATOR CAP WITH GASKET 1.2 BAR SI-912-020 SI-914-022	1	1	1	1	1	1	1
03		622053	EXPANSION TANK 180 DEGREE Ill. no. 2-3 optional	1	1	1	1	1	1	1
04		641071	HEX.SCREW - M6X6 as required	1	1	1	1	1	1	1
05		897506	WARNING LABEL	1	1	1	1	1	1	1
06		898490	WARNING LABEL EVANS COOLANT as required optional	1	1	1	1	1	1	1
07		975794	COOLING AIR BAFFLE Cooling air baffle for tractor. color black optional	1	1	1	1	1	1	1
07		975793	COOLING AIR BAFFLE Cooling air baffle for tractor. color white optional	1	1	1	1	1	1	1
08		975792	COOLING AIR BAFFLE Ill. no. 8-9 Cooling air baffle for pusher color white not available optional	1	1	1	1	1	1	1
08		975798	COOLING AIR BAFFLE Ill. no. 8-9 Cooling air baffle for pusher color black optional	1	1	1	1	1	1	1
09		201160	RUBBER GROMMET optional	1	1	1	1	1	1	1
10		997084	RADIATOR SI-PAC-010 optional	1	1	1	1	1	1	1

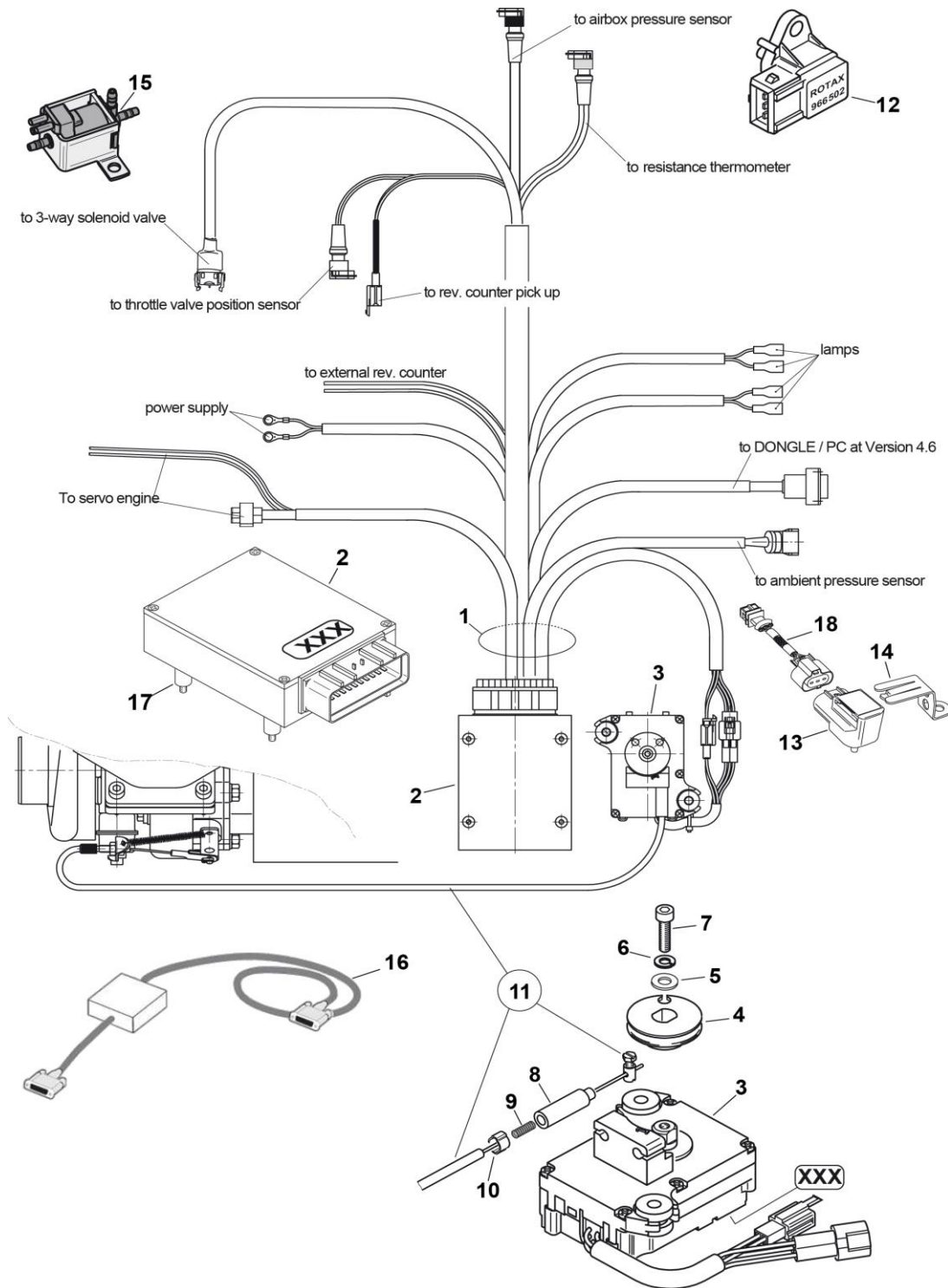
Chapter: 75-20-00

COOLING AIR BAFFLE, OVERFLOW BOTTLE WITH CAP, RADIATOR

ITEM#	STATUS	PART#	DESCRIPTION	912 A	912 F	912 S	912 UL	912 ULS	914 F	914 UL
11		881530	RADIATOR RETROFIT KIT Use together with part no. 997083 For retrofitting of old radiator part no. 997082	1	1	1	1	1	1	1
12		922327	OVERFLOW BOTTLE WITH CAP SB-912-039 SB-914-029	1	1	1	1	1	1	1
13		940551	HOSE NIPPLE M6 SB-912-039 SB-914-029	1	1	1	1	1	1	1
14		242213	HEX.NUT M6 SB-912-039 SB-914-029	1	1	1	1	1	1	1

This page intentionally left blank

Chapter: 76-10-00
TURBOCHARGER CONTROL UNIT



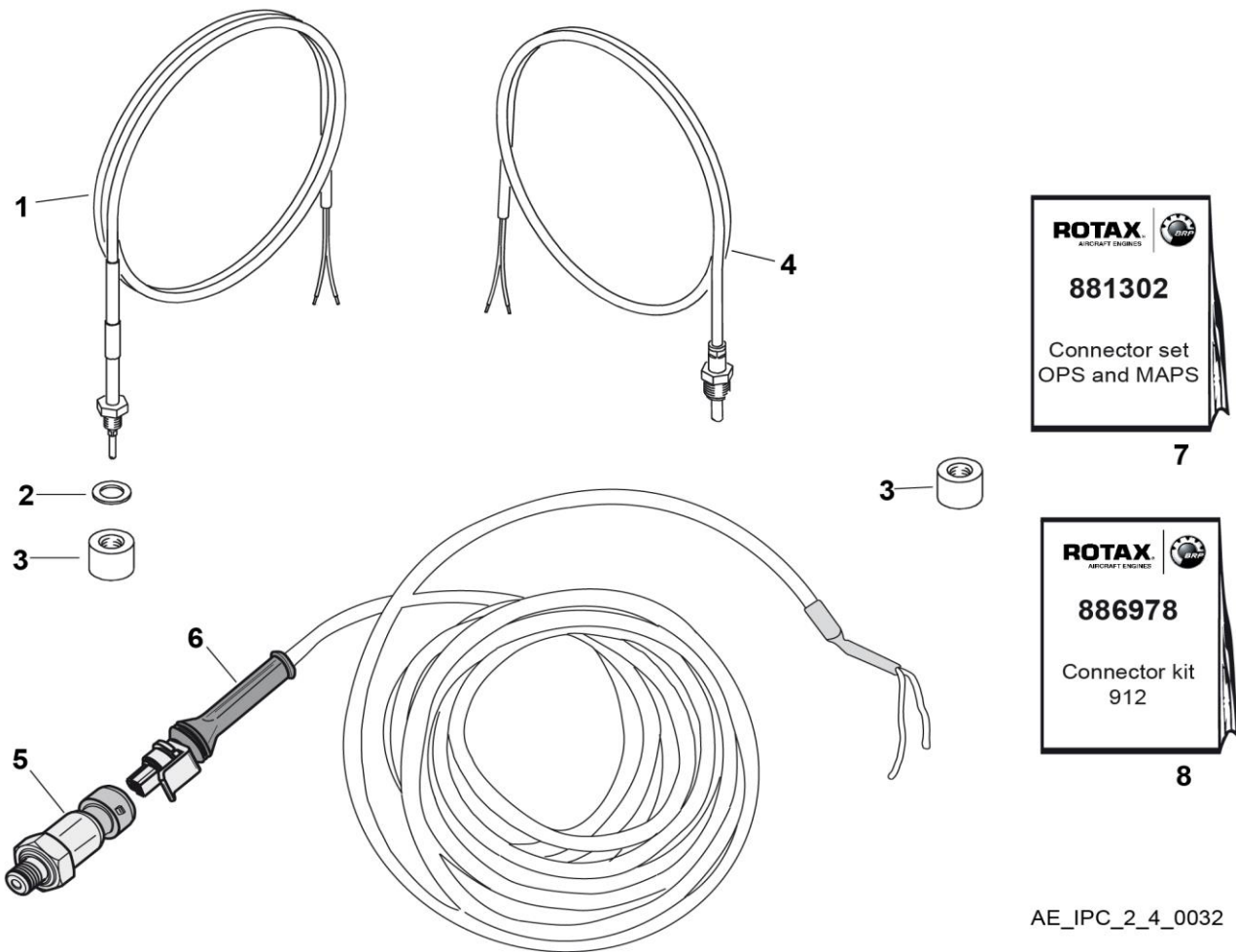
AE_IPC_2_4_0031

Chapter: 76-10-00
TURBOCHARGER CONTROL UNIT

ITEM#	STATUS	PART#	DESCRIPTION	912 A	912 F	912 S	912 UL	912 ULS	914 F	914 UL
01		966495	WIRING HARNESS SI-914-022	0	0	0	0	0	1	1
02		966741	TURBOCHARGER CONTROL UNIT (TCU)	0	0	0	0	0	1	1
03		295410	SERVO MOTOR	0	0	0	0	0	1	1
04		280088	ROPE SHEAVE	0	0	0	0	0	1	1
05		926180	WASHER 5.2X14.8X1.5	0	0	0	0	0	1	1
06		945830	LOCK WASHER - A5	0	0	0	0	0	1	1
07		441341	ALLEN SCREW M5X20	0	0	0	0	0	1	1
08		847882	CABLE RETAINER	0	0	0	0	0	1	1
09		239015	COMPRESSION SPRING 16.9	0	0	0	0	0	1	1
10		853845	CLAMP 5-7 MM	0	0	0	0	0	1	1
11		897941	CABLE BOWDEN ASSY. still valid	0	0	0	0	0	1	1
11		897942	CABLE BOWDEN ASSY.	0	0	0	0	0	1	1
12		966502	AIRBOX PRESSURE SENSOR	0	0	0	0	0	1	1
13		274051	STATIC PRESSURE SENSOR	0	0	0	0	0	1	1
14		924990	RETAINING PLATE SI-914-022 current issue optional	0	0	0	0	0	1	1
15		874313	3-WAY SOLENOID VALVE ASSY. see chapter 73-10-00	0	0	0	0	0	1	1
16		XXX	CALIBRATION-SET For authorized distributors only optional not available	0	0	0	0	0	1	1
17		660772	RUBBER BUFFER 10X15XM4	0	0	0	0	0	4	4
18		666012	CONNECTOR CABLE Connector cable. wiring harness part no. 966492 with sensor part no. 274051 SI-914-022	0	0	0	0	0	1	1

Chapter: 76-20-00
FLYDAT, SENSOR SET

CHAPTER INCLUDES ONLY
NOT CERTIFIED PARTS

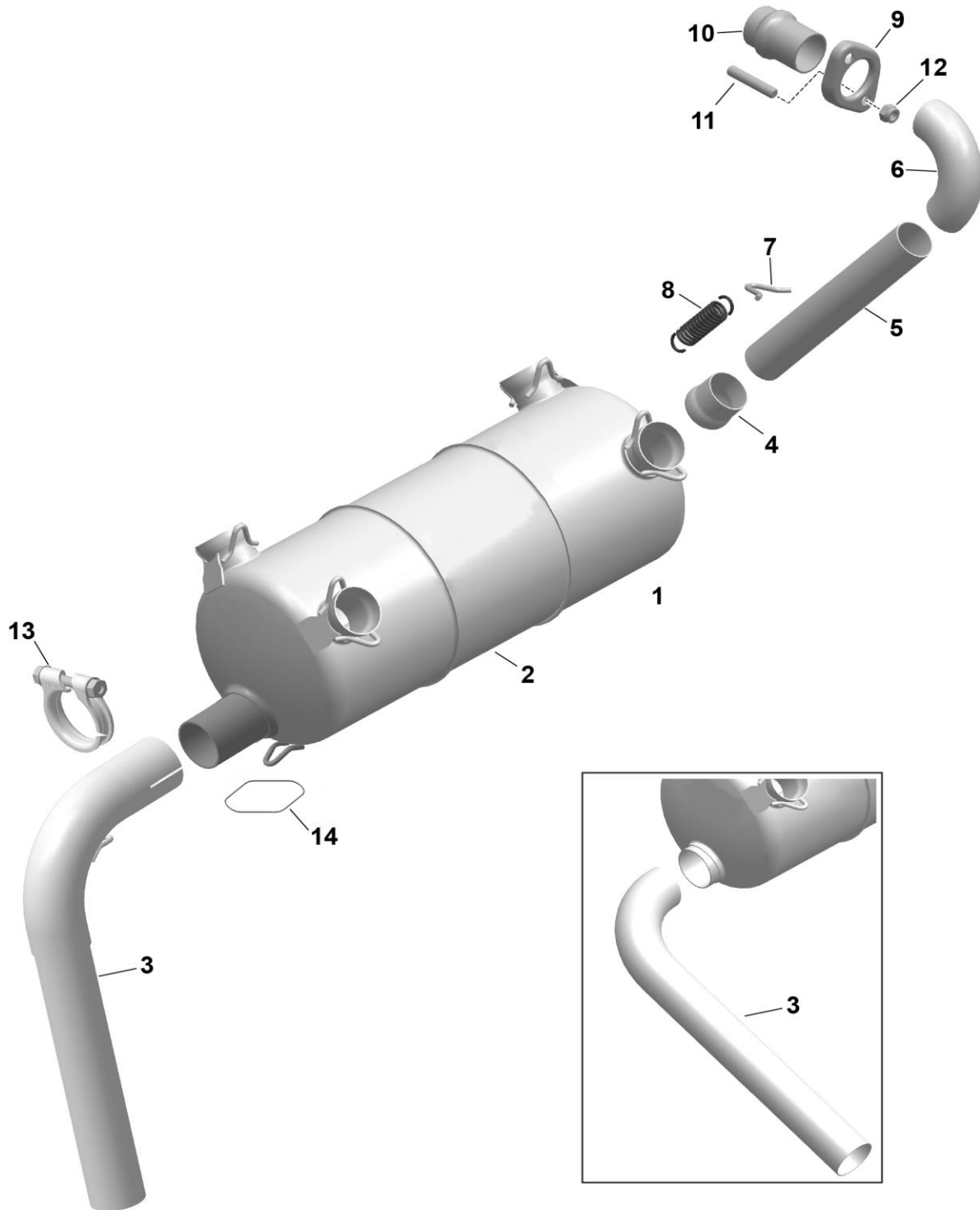


AE_IPC_2_4_0032

Chapter: 76-20-00
FLYDAT, SENSOR SET

ITEM#	STATUS	PART#	DESCRIPTION	912 A	912 F	912 S	912 UL	912 ULS	914 F	914 UL
01		966370	THERMO COUPLE NICR-NI K For exhaust gas temperature (EGT) optional	0	0	0	4	4	0	4
02		950141	SEALING RING A 8X13 optional	0	0	0	4	4	0	4
03		842758	SOLDERING NUT M8X1 For EGT sensor optional	0	0	0	4	4	0	4
04		966385	RESISTANCE THERMOMETER M10 For cylinder head optional	0	0	0	2	2	0	2
05		456180	OIL PRESSURE SENSOR M10X1 see chapter 79-20-00	0	0	0	1	1	0	1
06		864250	OIL PRESSURE SENSOR WIRE ASSY. see chapter 79-20-00 cable length 3000 mm	0	0	0	1	1	0	1
07		881302	CONNECTOR SET OPS AND MAPS for oil pressure sensor optional	0	0	0	1	1	0	1
08		886978	SENSOR KIT 912 For engine type 912 UL and 912 ULS: 4 x EGT 2 x CHT 1 x OPS + small parts optional	0	0	0	1	1	0	1

Chapter: 78-10-00
EXHAUST SYSTEM



AE_IPC_2_4_0051

Chapter: 78-10-00
EXHAUST SYSTEM

ITEM#	STATUS	PART#	DESCRIPTION	912 A	912 F	912 S	912 UL	912 ULS	914 F	914 UL
01		973676	EXHAUST ASSORTMENT STAINLESS STEEL Ill. no. 1-8 non certified optional not available	1	1	0	1	1	0	0
01	N	973677	EXHAUST ASSORTMENT STAINLESS STEEL Ill. no. 1-8. 13 non certified optional	1	1	0	1	1	0	0
01		978489	EXHAUST ASSORTMENT STAINLESS STEEL Ill. no. 1-8 For 80 HP engine only! Do not use on 100 HP engine. with muffler assy. part no. 978063 or 978064. optional	1	1	0	1	0	0	0
02	N	978064	MUFFLER ASSY. For 80 HP engine only! Do not use on 100 HP engine. optional	1	1	0	1	0	0	0
02		978063	MUFFLER ASSY. STAINLESS For 80 HP engine only! Do not use on 100 HP engine optional still valid	1	1	0	1	0	0	0
02	N	973674	MUFFLER ASSY. non certified only with 978605 optional not available	1	1	0	1	1	0	0
02		973673	MUFFLER ASSY. non certified only with 973389 optional	1	1	0	1	1	0	0
03		978605	EXHAUST ELBOW. STAINLESS diameter 40 mm non certified optional not available	1	1	0	1	1	0	0

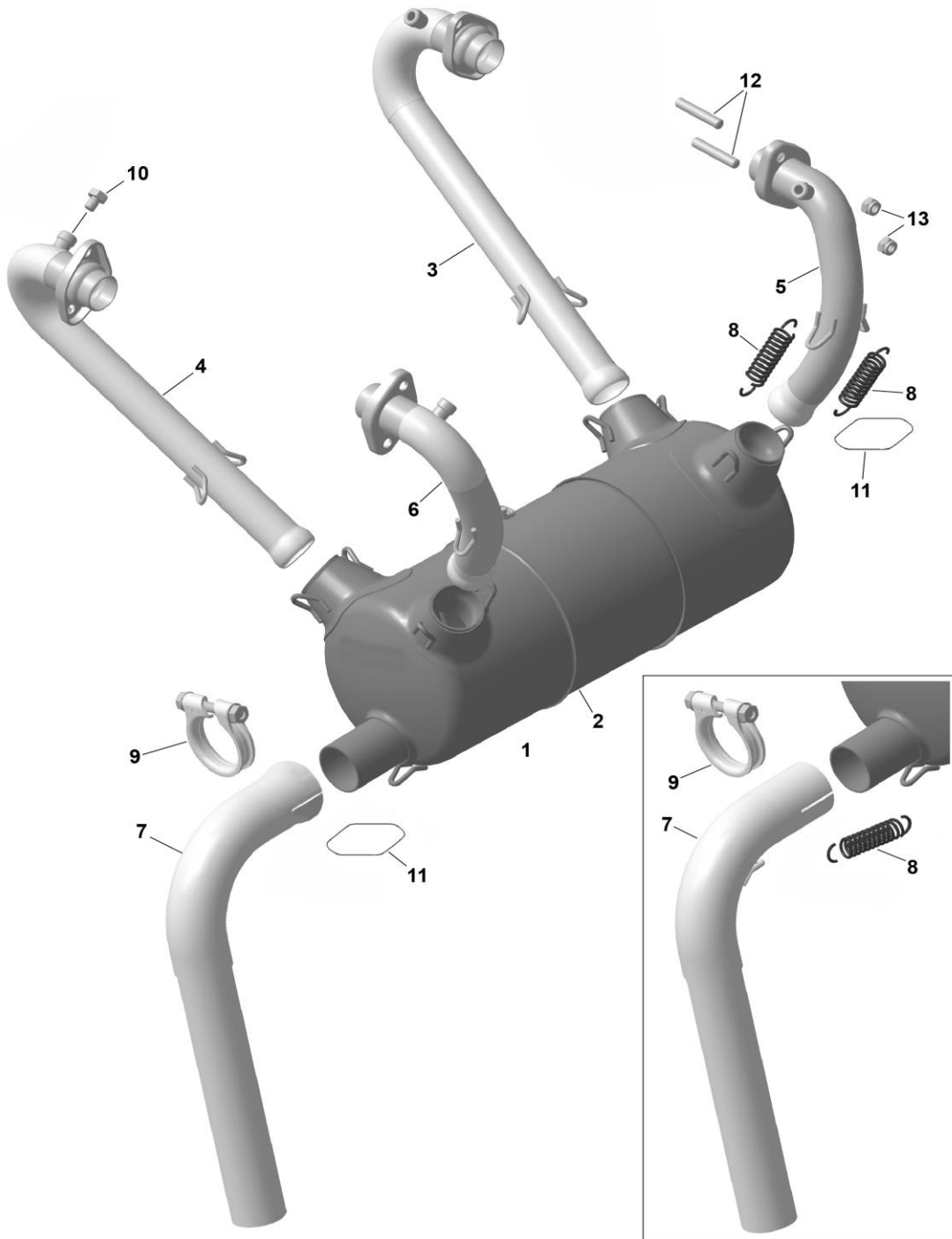
Chapter: 78-10-00
EXHAUST SYSTEM

ITEM#	STATUS	PART#	DESCRIPTION	912 A	912 F	912 S	912 UL	912 ULS	914 F	914 UL
03		978603	EXHAUST ELBOW mild steel optional not available	1	1	0	1	0	0	0
03	N	973389	EXHAUST ELBOW. STAINLESS diameter 42 mm non certified optional	1	1	0	1	1	0	0
04		978520	BALL JOINT. MALE mild steel optional not available	4	4	0	4	0	0	0
04		978521	BALL JOINT. MALE STAINLESS non certified optional	4	4	0	4	4	0	0
05		978997	EXHAUST TUBE 800 MM mild steel optional not available	2	2	0	2	0	0	0
05		978998	EXHAUST TUBE 800 MM. STAINLESS non certified optional	2	2	0	2	2	0	0
06		978500	EXH.ELBOW ASSY. 360 DEGR.STAINL. 360 degree circular ring non certified	2	2	0	2	2	0	0
06		978502	EXHAUST ELBOW ASSY. 360 DEGR.. 360 degree annular ring (torus-shaped) mild steel not available	2	2	0	2	0	0	0
07		853356	HOOK. STAINLESS non certified optional	8	8	0	0	8	0	0
07		853355	HOOK mild steel optional not available	8	8	0	8	0	0	0
08		938796	SPRING 66 MM stainless non certified optional	8	8	8	8	8	0	0
09		978246	EXHAUST FLANGE	4	4	0	4	4	0	0

Chapter: 78-10-00
EXHAUST SYSTEM

ITEM#	STATUS	PART#	DESCRIPTION	912 A	912 F	912 S	912 UL	912 ULS	914 F	914 UL
10		978252	EXHAUST SOCKET	4	4	4	4	4	0	0
11		940368	STUD M8X23/20	8	8	8	8	8	8	8
12		842950	LOCK NUT M8	8	8	8	8	8	8	8
13	N	951552	EXHAUST PIPE CLAMP ASSY. non certified	1	1	0	1	1	0	0
14	N	297556	SAFETY WIRE 0.8 2000MM non certified	1	1	0	1	1	0	0

Chapter: 78-10-00
EXHAUST SYSTEM
912 SERIES



AE_IPC_2_4_0050

Chapter: 78-10-00
EXHAUST SYSTEM
912 SERIES

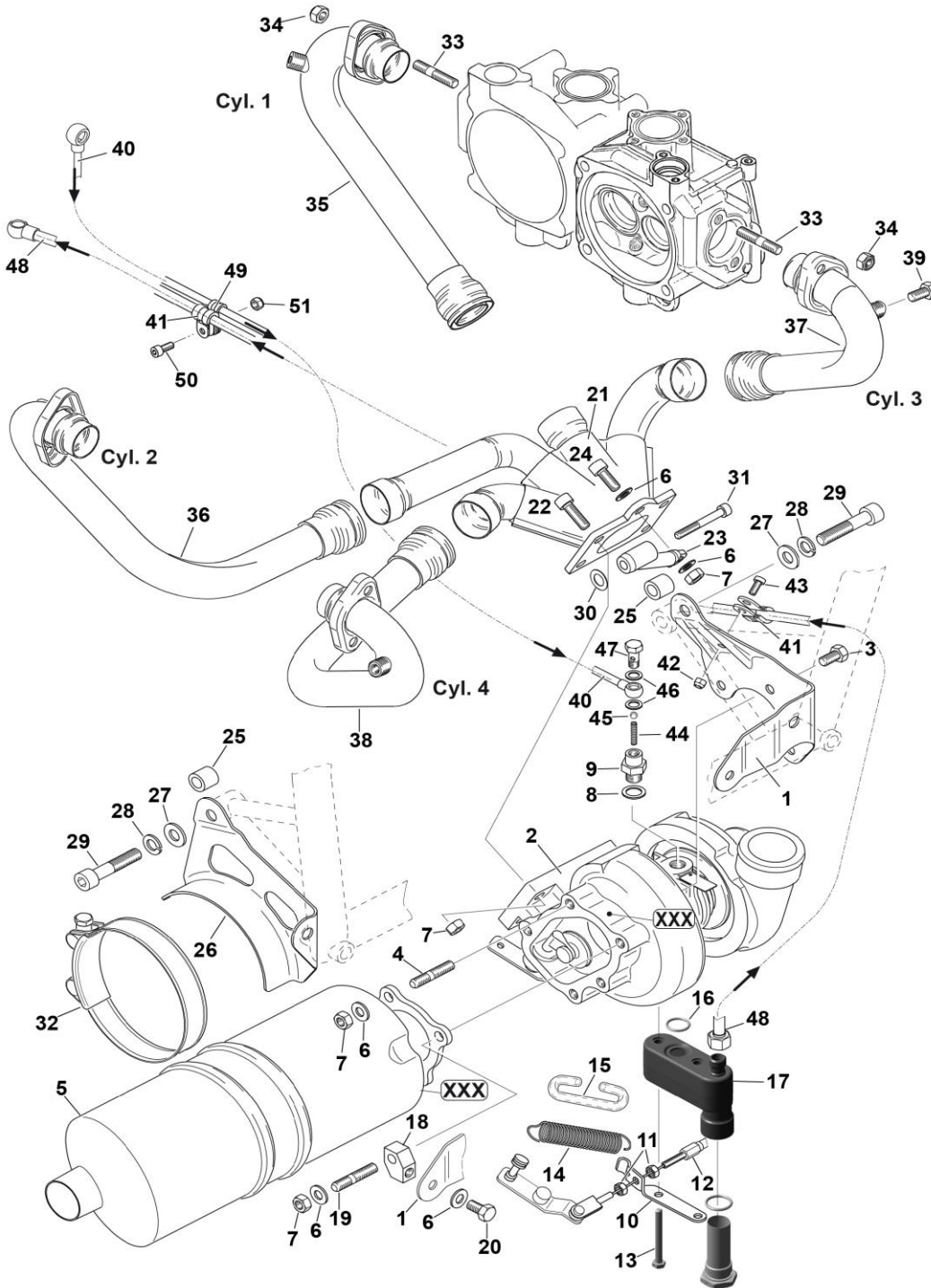
ITEM#	STATUS	PART#	DESCRIPTION	912 A	912 F	912 S	912 UL	912 ULS	914 F	914 UL
01		973380	EXHAUST ASSORTMENT STAINLESS STEEL Ill. no. 2-10	1	1	1	1	1	0	0
01	N	973383	EXHAUST ASSORTMENT STAINLESS STEEL	1	1	1	1	1	0	0
02		973385	MUFFLER ASSY. end pipe diameter 40 mm. mount with 973390 still valid	1	1	1	1	1	0	0
02	N	973388	MUFFLER ASSY. end pipe diameter 40 mm. mount with 973389	1	1	1	1	1	0	0
03		973010	EXHAUST PIPE ASSY. CYL. 1 still valid	1	1	1	1	1	0	0
03	N	973013	EXHAUST PIPE ASSY. CYL. 1	1	1	1	1	1	0	0
04	N	973023	EXHAUST PIPE ASSY. CYL. 2	1	1	1	1	1	0	0
04		973020	EXHAUST PIPE ASSY. CYL. 2 still valid	1	1	1	1	1	0	0
05	N	973033	EXHAUST PIPE ASSY. CYL. 3	1	1	1	1	1	0	0
05		973030	EXHAUST PIPE ASSY. CYL. 3 still valid	1	1	1	1	1	0	0
06	N	973043	EXHAUST PIPE ASSY. CYL. 4	1	1	1	1	1	0	0
06		973040	EXHAUST PIPE ASSY. CYL. 4 still valid	1	1	1	1	1	0	0
07	N	973389	EXHAUST ELBOW. STAINLESS pipe diameter 42 mm mount with 973388 use safety wire	1	1	1	1	1	0	0
07		973390	EXHAUST ELBOW. STAINLESS pipe diameter 40 mm mount with 973385 use 938796 spring still valid	1	1	1	1	1	0	0
08		938796	SPRING 66 MM stainless	9	9	9	9	9	0	0
09	N	951552	EXHAUST PIPE CLAMP ASSY.	1	1	1	1	1	0	0
09		951550	EXHAUST PIPE CLAMP ASSY. still valid	1	1	1	1	1	0	0
10		841115	HEX. SCREW M8X1X10	4	4	4	4	4	0	0
11		297555	SAFETY WIRE 0.8 as required	1	1	1	1	1	0	0
12		940368	STUD M8X23/20	8	8	8	8	8	0	0

Chapter: 78-10-00
EXHAUST SYSTEM
912 SERIES

ITEM#	STATUS	PART#	DESCRIPTION	912 A	912 F	912 S	912 UL	912 ULS	914 F	914 UL
13		842950	LOCK NUT M8	8	8	8	8	8	0	0

This page intentionally left blank

Chapter: 78-10-00
MUFFLER, TURBOCHARGER, OIL SUMP CONTAINER



AE_IPC_2_4_0035

Chapter: 78-10-00

MUFFLER, TURBOCHARGER, OIL SUMP CONTAINER

ITEM#	STATUS	PART#	DESCRIPTION	912 A	912 F	912 S	912 UL	912 ULS	914 F	914 UL
01		851294	TURBO BRACKET	0	0	0	0	0	1	1
02		887129	TURBOCHARGER ASSY. Ill. no. 2-3	0	0	0	0	0	1	1
03		940583	HEX. SCREW M8X16 STAINLESS STEEL	0	0	0	0	0	4	4
04		940173	STUD M8X19.5/13 Stainless	0	0	0	0	0	4	4
05		979407	MUFFLER ASSY.	0	0	0	0	0	1	1
06		250313	WASHER 8.4 STAINLESS STEEL	0	0	0	0	0	8	8
07		242203	HEX.NUT M8 STAINLESS STEEL	0	0	0	0	0	10	10
08		250646	SEALING RING - A 12X18	0	0	0	0	0	1	1
08		250640	SEALING RING - A 12X18 still valid	0	0	0	0	0	1	1
09		956486	VALVE HOUSING	0	0	0	0	0	1	1
10		851392	CABLE SUPPORT	0	0	0	0	0	1	1
11		242032	HEX.NUT BM6 6.6 see chapter 76-10-00	0	0	0	0	0	2	2
12		897941	CABLE BOWDEN ASSY. still valid see chapter 76-10-00	0	0	0	0	0	1	1
12	N	897942	CABLE BOWDEN ASSY.	0	0	0	0	0	1	1
13		640601	HEX.SCREW - M6X55	0	0	0	0	0	2	2
14		838232	TENSION SPRING. STAINLESS STEEL	0	0	0	0	0	1	1
15		960082	DAMPING HOSE 5X8 110 MM as required	0	0	0	0	0	1	1
15		960080	SILICONE TUBE 5X8 as required in a roll by meter non certified	0	0	0	0	0	1	1
16		430225	O-RING - 15.9X2.3	0	0	0	0	0	1	1
17		956495	OIL SUMP ASSY replaced by 656770 + 640860 + 250057 still valid	0	0	0	0	0	1	1
17		656770	OIL SUMP ASSY	0	0	0	0	0	1	1
18		953280	SUPPORT PLATE	0	0	0	0	0	1	1
19		641343	STUD M8X30/13	0	0	0	0	0	1	1
20		940583	HEX. SCREW M8X16 STAINLESS STEEL	0	0	0	0	0	1	1
21		979416	EXHAUST MANIFOLD ASSY. Stainless	0	0	0	0	0	1	1
22		240083	ALLEN SCREW M8X25 STAINLESS	0	0	0	0	0	4	4

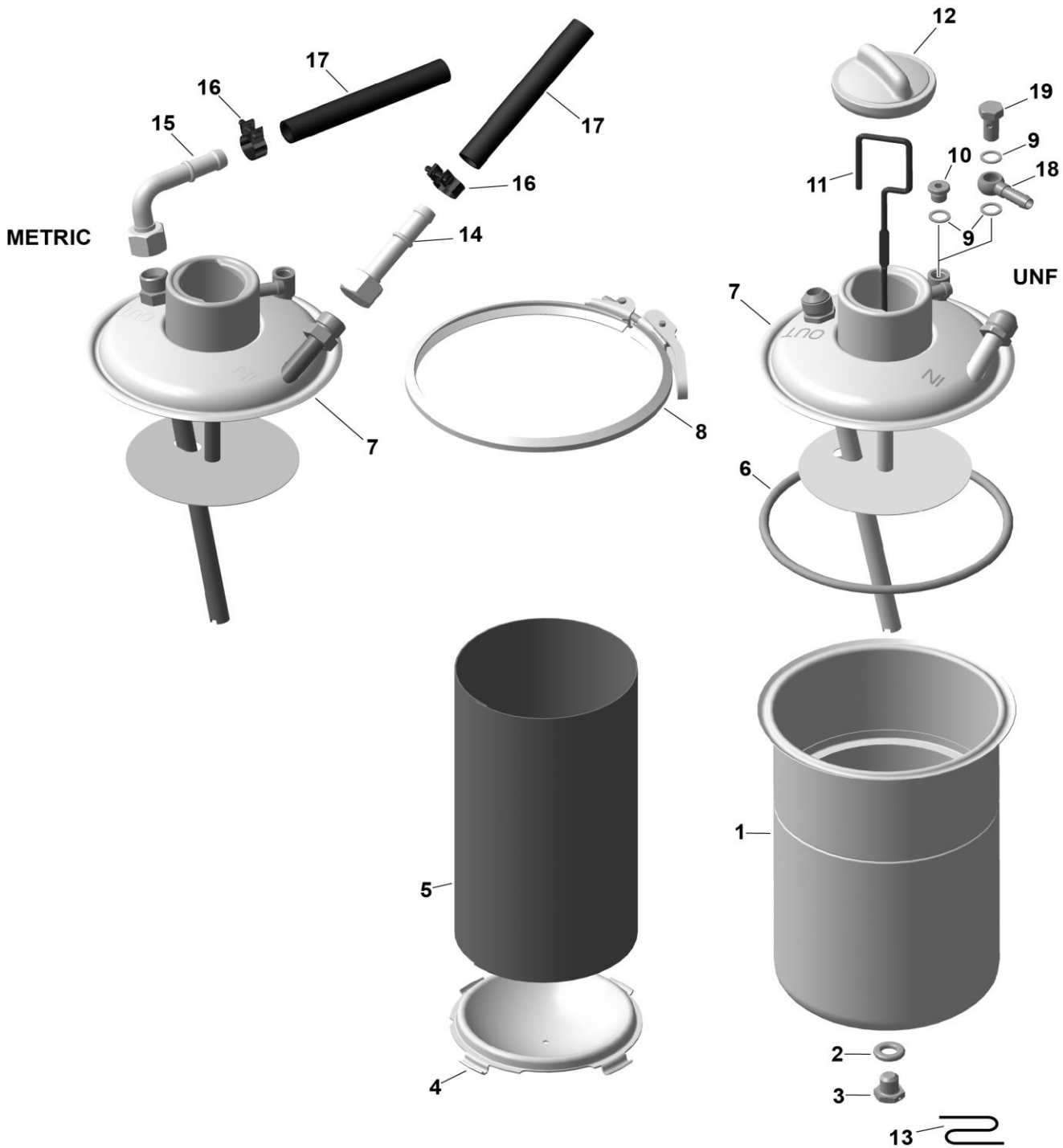
Chapter: 78-10-00
MUFFLER, TURBOCHARGER, OIL SUMP CONTAINER

ITEM#	STATUS	PART#	DESCRIPTION	912 A	912 F	912 S	912 UL	912 ULS	914 F	914 UL
23		953304	MANIFOLD BRACKET ASSY. STAINLESS	0	0	0	0	0	1	1
24		240083	ALLEN SCREW M8X25 STAINLESS additional washer part no. 250313 with manifold bracket part no. 953304	0	0	0	0	0	1	1
25		847841	SPACER 10.5/17/15	0	0	0	0	0	2	2
26		851303	EXHAUST BRACKET	0	0	0	0	0	1	1
27		927411	WASHER 10.5	0	0	0	0	0	2	2
28		945833	LOCK WASHER A10	0	0	0	0	0	2	2
29		640572	ALLEN SCREW M10X50	0	0	0	0	0	2	2
30		926401	WASHER 8.4/15/1 see chapter 72-20-00 as required	0	0	0	0	0	1	1
30		926400	WASHER 8.4/15/0.5 see chapter 72-20-00 as required	0	0	0	0	0	1	1
30		926402	WASHER 8.4/15/1.5 see chapter 72-20-00 as required	0	0	0	0	0	1	1
31		440107	ALLEN SCREW M8X50 see chapter 72-20-00 as required	0	0	0	0	0	1	1
32		851312	CLAMP 120	0	0	0	0	0	1	1
33		940368	STUD M8X23/20	8	8	8	8	8	8	8
34		842950	LOCK NUT M8	8	8	8	8	8	8	8
35		979427	EXHAUST PIPE ASSY. CYL. 1 SI-914-022 stainless still valid	0	0	0	0	0	1	1
35	N	979428	EXHAUST PIPE ASSY. CYL. 1 SI-914-022 stainless	0	0	0	0	0	1	1
36		979437	EXHAUST PIPE ASSY. CYL. 2 SI-914-022 stainless still valid	0	0	0	0	0	1	1
36	N	979438	EXHAUST PIPE ASSY. CYL. 2 SI-914-022 stainless	0	0	0	0	0	1	1

Chapter: 78-10-00
MUFFLER, TURBOCHARGER, OIL SUMP CONTAINER

ITEM#	STATUS	PART#	DESCRIPTION	912 A	912 F	912 S	912 UL	912 ULS	914 F	914 UL
37	N	979448	EXHAUST PIPE ASSY. CYL. 3 SI-914-022 stainless	0	0	0	0	0	1	1
37		979447	EXHAUST PIPE ASSY. CYL. 3 SI-914-022 stainless still valid	0	0	0	0	0	1	1
38		979457	EXHAUST PIPE ASSY. CYL. 4 SI-914-022 stainless still valid	0	0	0	0	0	1	1
38	N	979458	EXHAUST PIPE ASSY. CYL. 4 SI-914-022 stainless	0	0	0	0	0	1	1
39		841115	HEX. SCREW M8X1X10	0	0	0	0	0	4	4
40		956476	TURBO PRESSURE OIL LINE	0	0	0	0	0	1	1
41		851111	CABLE CLAMP 8/M5	0	0	0	0	0	2	2
42		942021	LOCK NUT - M5	0	0	0	0	0	1	1
43		241842	ALLEN SCREW - M5X12	0	0	0	0	0	1	1
44		239131	COMPRESSION SPRING 22.0	0	0	0	0	0	1	1
45		232441	BALL - 5.556 G28 - 1.3505	0	0	0	0	0	1	1
46		950141	SEALING RING A 8X13	0	0	0	0	0	2	2
47		840730	BANJO BOLT M8X1X17 With imprinting oil	0	0	0	0	0	1	1
48		956470	TURBO OIL SUCTION LINE	0	0	0	0	0	1	1
49		851116	CABLE CLAMP 5/M5	0	0	0	0	0	2	2
50		241842	ALLEN SCREW - M5X12	0	0	0	0	0	2	2
51		942021	LOCK NUT - M5	0	0	0	0	0	2	2
52		640860	PLUG SCREW ASSY. M22x1.5	0	0	0	0	0	2	2
53		250057	O-RING - 18X2.5	0	0	0	0	0	2	2

Chapter: 79-20-00
OIL TANK



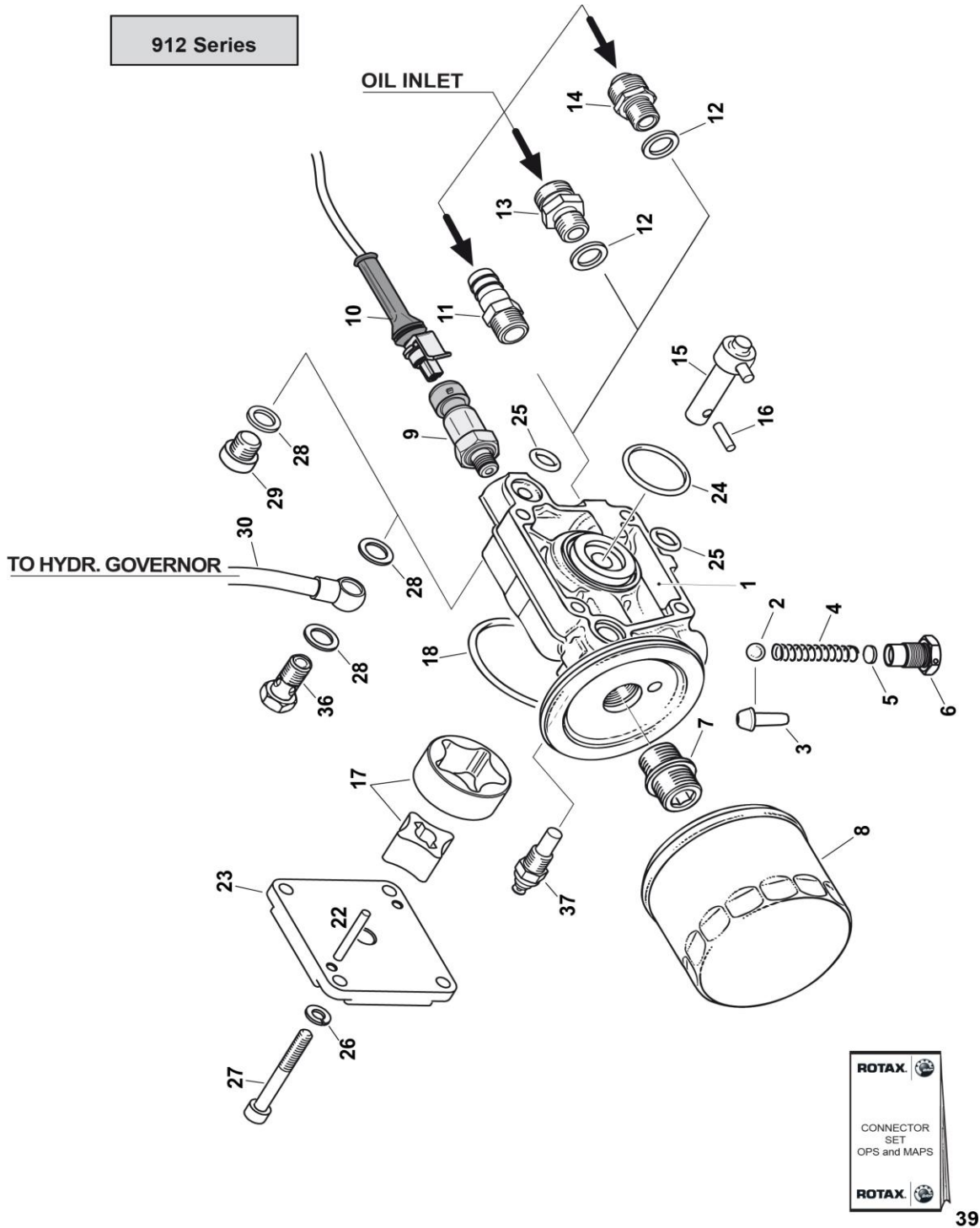
AE_IPC_2_4_0036

Chapter: 79-20-00
OIL TANK

ITEM#	STATUS	PART#	DESCRIPTION	912 A	912 F	912 S	912 UL	912 ULS	914 F	914 UL
01		656860	OIL TANK ASSY. UNF Ill. no. 1-12	1	1	1	1	1	1	1
01		656865	OIL TANK ASSY. METRIC Ill. no. 1-12	1	1	1	1	1	1	1
02		250010	GASKET RING C 12X18	1	1	1	1	1	1	1
03		241408	PLUG SCREW - M12X12	1	1	1	1	1	1	1
04		XXX	PARTITION 2 not available	1	1	1	1	1	1	1
05		956204	BAFFLE INSERT	1	1	1	1	1	1	1
06		850491	O-RING - 145X6	1	1	1	1	1	1	1
07		XXX	OIL TANK COVER ASSY. UNF not available	1	1	1	1	1	1	1
07		XXX	OIL TANK COVER ASSY. METRIC not available	1	1	1	1	1	1	1
08		951817	PROFILE CLAMP 163	1	1	1	1	1	1	1
09		230150	SEALING RING A 10X14	1	1	1	1	1	2	2
10		641733	PLUG SCREW M10X1-A2-70	1	1	1	1	1	0	0
11		956151	OIL DIPSTICK SB-912-040 SB-914-026	1	1	1	1	1	1	1
12		974647	OIL TANK COVER. WITHOUT VENTING	1	1	1	1	1	1	1
13		297555	SAFETY WIRE 0.8 as required	1	1	1	1	1	1	1
14		956610	HOSE NIPPLE WITH UNION NUT with metric connection thread M18x1.5	1	1	1	1	1	1	1
15		956580	BENT SOCKET ASSY. with metric connection thread M18x1.5	1	1	1	1	1	1	1
16		951826	HOSE CLAMP - 19x9	4	4	4	4	4	4	4
17		956394	OIL TUBE M4M-2 12X19 in a roll. not with Form 1 as required	0	0	1	1	0	0	1
18		956314	HOSE NIPPLE 4/6	0	0	0	0	0	1	1
19		241073	BANJO BOLT M10X1X19	0	0	0	0	0	1	1

Chapter: 79-20-00

OIL PUMP ASSY., OIL FILTER, OIL TEMPERATURE SENSOR, OIL PRESSURE SENSOR
912 SERIES



AE_IPC_2_4_0037

Chapter: 79-20-00

OIL PUMP ASSY., OIL FILTER, OIL TEMPERATURE SENSOR, OIL PRESSURE SENSOR
912 SERIES

ITEM#	STATUS	PART#	DESCRIPTION	912 A	912 F	912 S	912 UL	912 ULS	914 F	914 UL
01		911815	OIL PUMP HOUSING ASSY.	1	1	1	1	1	0	0
02		432681	BALL - 8.5 G20 - 1.3505	1	1	1	1	1	0	0
03		857230	VALVE PISTON optional	1	1	1	1	1	0	0
04		838122	COMPRESSION SPRING L39.5	1	1	1	1	1	0	0
05		227055	SHIM 8.2X1.5 as required	1	1	1	1	1	0	0
06		841983	PLUG SCREW M12X1	1	1	1	1	1	0	0
07		924424	OIL FILTER NIPPLE	1	1	1	1	1	0	0
08		825016	OIL FILTER PACKAGED	1	1	1	1	1	0	0
09		456180	OIL PRESSURE SENSOR M10X1 SI-912-020 SI-914-022	1	1	1	1	1	0	0
10		864250	OIL PRESSURE SENSOR WIRE ASSY. SI-912-020 SI-914-022	1	1	1	1	1	0	0
11		840461	NIPPLE 13.2/9.5-M14X1.5	1	0	0	1	1	0	0
12		230387	GASKET RING 14.2/18/2	1	1	1	1	1	0	0
13		956577	ADAPTER M18x1.5/M14x1.5 optional	0	0	0	1	1	0	0
13		956577	ADAPTER M18x1.5/M14x1.5	1	1	1	0	0	0	0
14		956643	ADAPTER 3/4-16 UNF/ M14 X 1.5	1	1	1	1	1	0	0
15		837129	OIL PUMP SHAFT ASSY.	1	1	1	1	1	0	0
16		232732	NEEDLE PIN B 4X15.8	1	1	1	1	1	0	0
17		956278	ROTOR SET	1	1	1	1	1	0	0
18		430411	O-RING - 57X3	1	1	1	1	1	0	0
22		232732	NEEDLE PIN B 4X15.8	2	2	2	2	2	0	0
23		911711	OIL PUMP COVER	1	1	1	1	1	0	0
24		950410	O-RING - 30X2.5	1	1	1	1	1	0	0
25		250460	O-RING - 11X2.7- BLACK	2	2	2	2	2	0	0
26		827962	WASHER - A 6.4	4	4	4	4	4	0	0
27		241762	ALLEN SCREW - M6x50	4	4	4	4	4	0	0
28		230150	SEALING RING A 10X14	2	2	2	2	2	0	0
29		641733	PLUG SCREW M10X1	1	1	1	1	1	0	0
30		956460	PRESSURE OIL LINE ASSY. see chapter 61-20-00	1	1	1	1	1	0	0
36		940876	BANJO BOLT M10X1X23	1	1	1	1	1	0	0
36		241073	BANJO BOLT M10X1X19	1	1	1	1	1	0	0
37		965531	TEMPERATURE SENSOR	1	1	1	1	1	0	0

Chapter: 79-20-00

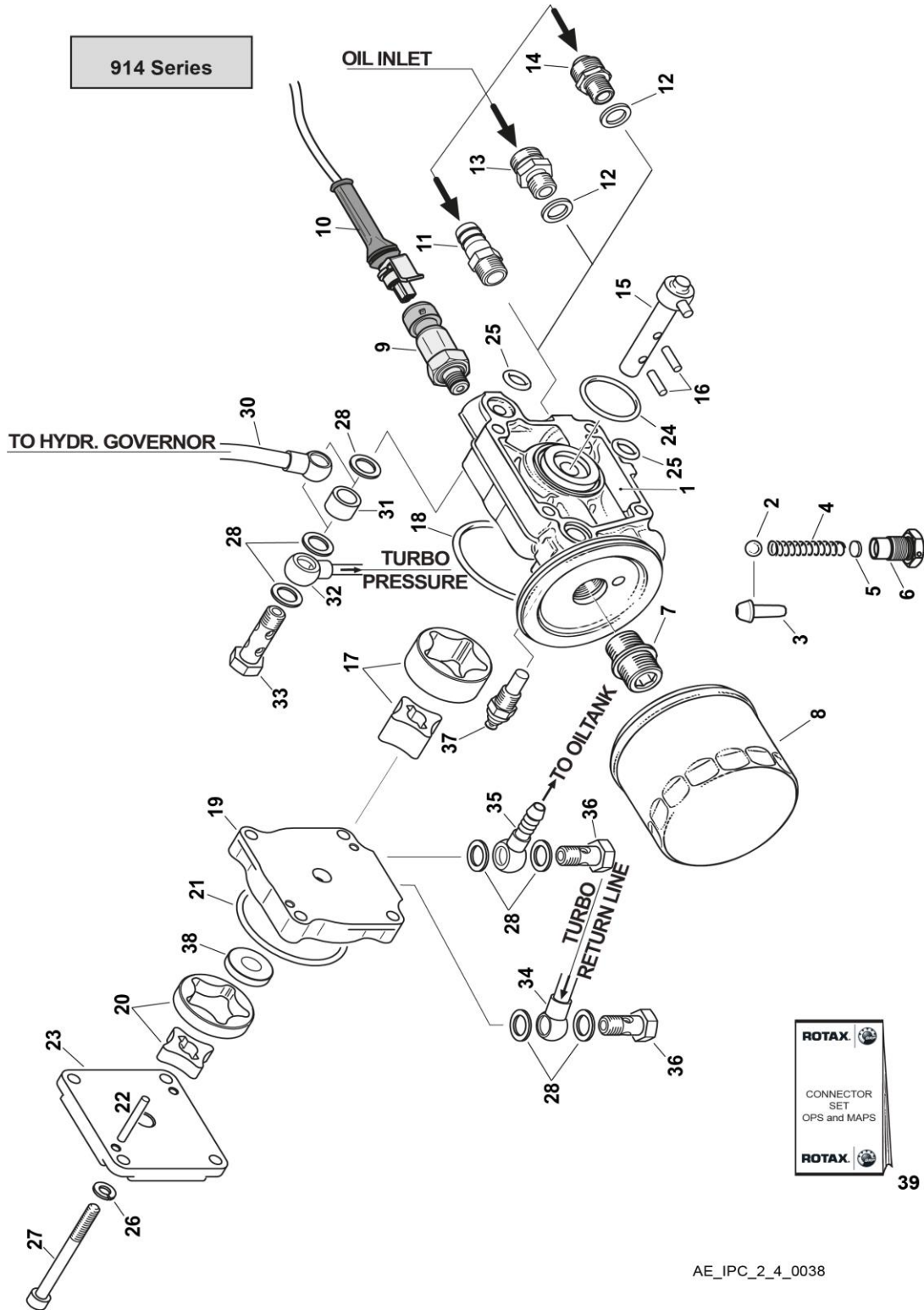
OIL PUMP ASSY., OIL FILTER, OIL TEMPERATURE SENSOR, OIL PRESSURE SENSOR
912 SERIES

ITEM#	STATUS	PART#	DESCRIPTION	912 A	912 F	912 S	912 UL	912 ULS	914 F	914 UL
39		XXX	CONNECTOR SET OPS AND MAPS see chapter 76-20-00 for oil pressure sensor part no. 456180 without wire	1	1	1	1	1	0	0

This page intentionally left blank

Chapter: 79-20-00

OIL PUMP ASSY., OIL FILTER, OIL TEMPERATURE SENSOR, OIL PRESSURE SENSOR
914 SERIES



AE_IPC_2_4_0038

Chapter: 79-20-00

OIL PUMP ASSY., OIL FILTER, OIL TEMPERATURE SENSOR, OIL PRESSURE SENSOR
914 SERIES

ITEM#	STATUS	PART#	DESCRIPTION	912 A	912 F	912 S	912 UL	912 ULS	914 F	914 UL
01		911815	OIL PUMP HOUSING ASSY.	0	0	0	0	0	1	1
02		432681	BALL - 8.5 G20 - 1.3505	0	0	0	0	0	1	1
03		857230	VALVE PISTON optional	0	0	0	0	0	1	1
04		838122	COMPRESSION SPRING L39.5	0	0	0	0	0	1	1
05		227055	SHIM 8.2X1.5 as required	0	0	0	0	0	1	1
06		841983	PLUG SCREW M12X1	0	0	0	0	0	1	1
07		924424	OIL FILTER NIPPLE	0	0	0	0	0	1	1
08		825016	OIL FILTER PACKAGED	0	0	0	0	0	1	1
09		456180	OIL PRESSURE SENSOR M10X1 SI-912-020 SI-914-022	0	0	0	0	0	1	1
10		864250	OIL PRESSURE SENSOR WIRE ASSY. SI-912-020 SI-914-022	0	0	0	0	0	1	1
11		840461	NIPPLE 13.2/9.5-M14X1.5	0	0	0	0	0	1	1
12		230387	GASKET RING 14.2/18/2	0	0	0	0	0	1	1
13		956577	ADAPTER M18x1.5/M14x1.5	0	0	0	0	0	1	1
14		956643	ADAPTER 3/4-16 UNF/ M14 X 1.5	0	0	0	0	0	1	1
15		837127	OIL PUMP SHAFT ASSY.	0	0	0	0	0	1	1
16		232732	NEEDLE PIN B 4X15.8	0	0	0	0	0	2	2
17		956278	ROTOR SET	0	0	0	0	0	1	1
18		430411	O-RING - 57X3	0	0	0	0	0	1	1
19		810596	OIL PUMP HOUSING oil seal together with part no. 810595 or 810596	0	0	0	0	0	1	1
20		256346	ROTOR SET	0	0	0	0	0	1	1
21		430175	O-RING - 46X3	0	0	0	0	0	1	1
22		232432	NEEDLE PIN B 4X29.8	0	0	0	0	0	2	2
23		911711	OIL PUMP COVER	0	0	0	0	0	1	1
24		950410	O-RING - 30X2.5	0	0	0	0	0	1	1
25		250460	O-RING - 11X2.7 BLACK	0	0	0	0	0	2	2
26		827962	WASHER - A 6.4	0	0	0	0	0	4	4
27		241263	ALLEN SCREW - M6x65	0	0	0	0	0	4	4
28		230150	SEALING RING A 10X14	0	0	0	0	0	7	7
30		956460	PRESSURE OIL LINE ASSY. see chapter 61-20-00	0	0	0	0	0	1	1
31		847229	SPACER 10.5/15/11	0	0	0	0	0	1	1

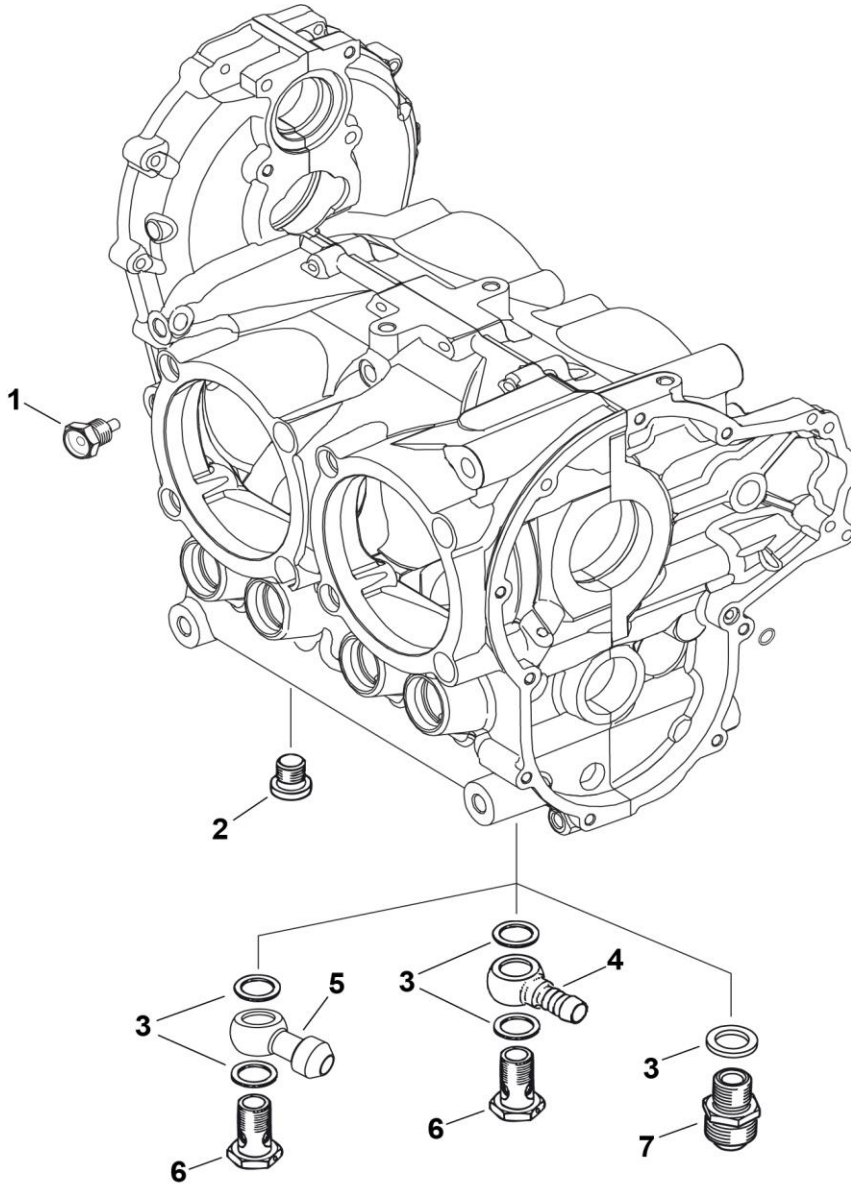
Chapter: 79-20-00

**OIL PUMP ASSY., OIL FILTER, OIL TEMPERATURE SENSOR, OIL PRESSURE SENSOR
914 SERIES**

ITEM#	STATUS	PART#	DESCRIPTION	912 A	912 F	912 S	912 UL	912 ULS	914 F	914 UL
32		956476	TURBO PRESSURE OIL LINE see chapter 78-10-00	0	0	0	0	0	1	1
33		241072	BANJO BOLT M10X1X30 see latest issue of Maintenance Manual Heavy (MMH) check depth of thread in oil pump housing	0	0	0	0	0	1	1
33		940877	BANJO BOLT M10X1X34 see latest issue of Maintenance Manual Heavy (MMH) check depth of thread in oil pump housing	0	0	0	0	0	1	1
34		956470	TURBO OIL SUCTION LINE see chapter 78-10-00	0	0	0	0	0	1	1
35		956314	HOSE NIPPLE 4/6	0	0	0	0	0	1	1
36		940876	BANJO BOLT M10X1X23 see latest issue of Maintenance Manual Heavy (MMH) check depth of thread in oil pump housing	0	0	0	0	0	2	2
36		241073	BANJO BOLT M10X1X19 see latest issue of Maintenance Manual Heavy (MMH) check depth of thread in oil pump housing	0	0	0	0	0	2	2
37		965531	TEMPERATURE SENSOR	0	0	0	0	0	1	1
38		430105	OIL SEAL A 10X18X4 FPM oil seal together with part no. 810595 or 810596	0	0	0	0	0	1	1
39		XXX	CONNECTOR SET OPS AND MAPS see chapter 76-20-00 for oil pressure sensor part no. 456180 without wire	0	0	0	0	0	1	1

This page intentionally left blank

Chapter: 79-20-00
MAGNETIC DRAIN PLUG, PLUG SCREW



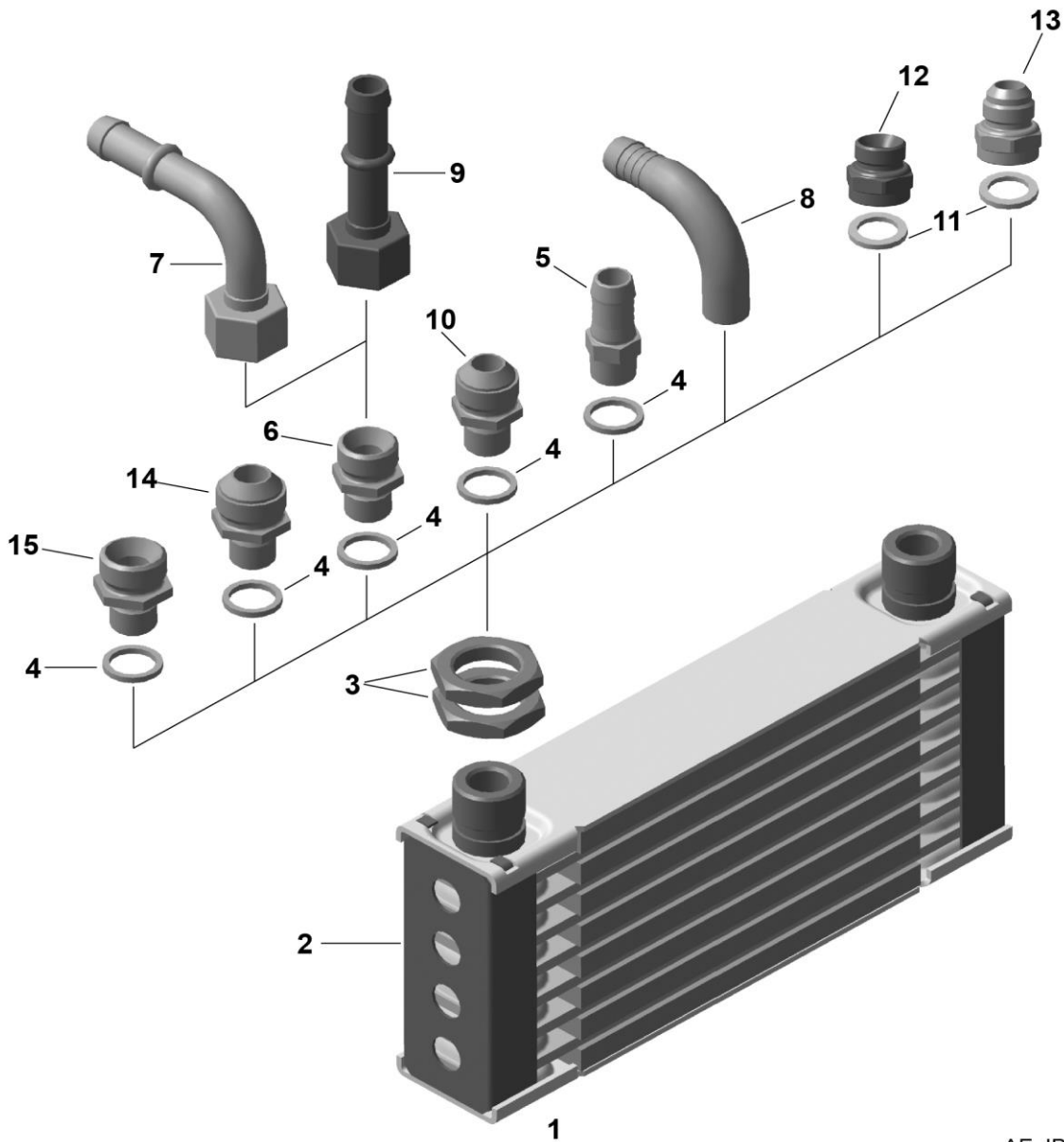
AE_IPC_2_4_0039

Chapter: 79-20-00

MAGNETIC DRAIN PLUG, PLUG SCREW

ITEM#	STATUS	PART#	DESCRIPTION	912 A	912 F	912 S	912 UL	912 ULS	914 F	914 UL
01		640866	MAGNETIC DRAIN PLUG M12X1.5 PACKAGED (241785 + packaging)	1	1	1	1	1	1	1
01		241785	MAGNETIC DRAIN PLUG M12X1.5 still valid	1	1	1	1	1	1	1
02		240234	PLUG SCREW A M16X1.5	1	1	1	1	1	1	1
03		430622	SEALING RING A 16X22	2	2	2	2	2	2	2
04		956315	HOSE NIPPLE 10	1	1	1	1	1	1	1
05		956050	HOSE NIPPLE 16 Following Service Instruction has to be noticed: SI-912-003 current issue SI-914-005	1	1	1	1	1	1	1
06		940879	BANJO BOLT M16X1.5X28	1	1	1	1	1	1	1
07	N	956652	ADAPTER 3/4-16 UNF/ M16 X 1.5	1	1	1	1	1	1	1
07		956651	ADAPTER 3/4-16 UNF/ M16 X 1.5 not available	1	1	1	1	1	1	1

Chapter: 79-20-00
OIL RADIATOR



AE_IPC_2_4_0040

Chapter: 79-20-00
OIL RADIATOR

ITEM#	STATUS	PART#	DESCRIPTION	912 A	912 F	912 S	912 UL	912 ULS	914 F	914 UL
01		886012	OIL RADIATOR SET METRIC Ill. no. 2-5 Cooling area 142 cm2 / 22 sq in Metric connections SI-912-024 SI-912i-008 SI-914-025 SI-PAC-014 optional	1	1	1	1	1	0	1
01		886011	OIL RADIATOR SET METRIC Ill. no. 2-5 Cooling area 125 cm2 / 19.38 sq in Metric connections SI-912-024 SI-912i-008 SI-914-025 SI-PAC-014 optional	1	1	0	1	1	0	1
01		886015	OIL RADIATOR SET UNF Ill. no. 2. 3. 4. 10 Cooling area 234 cm2 / 36.27 sq in UNF connections SI-912-024 SI-912i-008 SI-914-025 SI-PAC-014 optional	1	1	1	1	1	1	1
01		886013	OIL RADIATOR SET METRIC Ill. no. 2-5 Cooling area 234 cm2 / 36.27 sq in Metric connections SI-912-024 SI-912i-008 SI-914-025 SI-PAC-014 optional	1	1	1	1	1	1	1

Chapter: 79-20-00
OIL RADIATOR

ITEM#	STATUS	PART#	DESCRIPTION	912 A	912 F	912 S	912 UL	912 ULS	914 F	914 UL
02		886001	OIL RADIATOR Cooling area 125 cm2 / 19.38 sq in Height of connectors for 5 mm reduced SI-912-024 SI-912i-008 SI-914-025 SI-PAC-014 optional	1	1	0	1	0	0	0
02		886003	OIL RADIATOR Cooling area 142 cm2 / 22 sq in Height of connectors for 5 mm reduced SI-912-024 SI-912i-008 SI-914-025 SI-PAC-014 optional	1	1	1	1	1	0	0
02		886005	OIL RADIATOR Cooling area 234 cm2 / 36.27 sq in Height of connectors for 5 mm reduced SI-912-024 SI-912i-008 SI-914-025 SI-PAC-014 optional	1	1	1	1	1	1	1
03		956645	SCREW CONNECTION SET UNF Ill. no. 3. 4. 10 SI-PAC-013 optional	1	1	1	1	1	1	1
03		242879	HEX.NUT M22X1.5 H=6 SI-PAC-013 optional not available	4	4	4	4	4	4	4
03		242873	HEX.NUT M22X1.5 H=6 SI-PAC-013 optional	4	4	4	4	4	4	4
04		956615	SCREW CONNECTION SET STRAIGHT Ill. no. 4. 6. 9 SI-PAC-013 optional	1	1	1	1	1	1	1

Chapter: 79-20-00
OIL RADIATOR

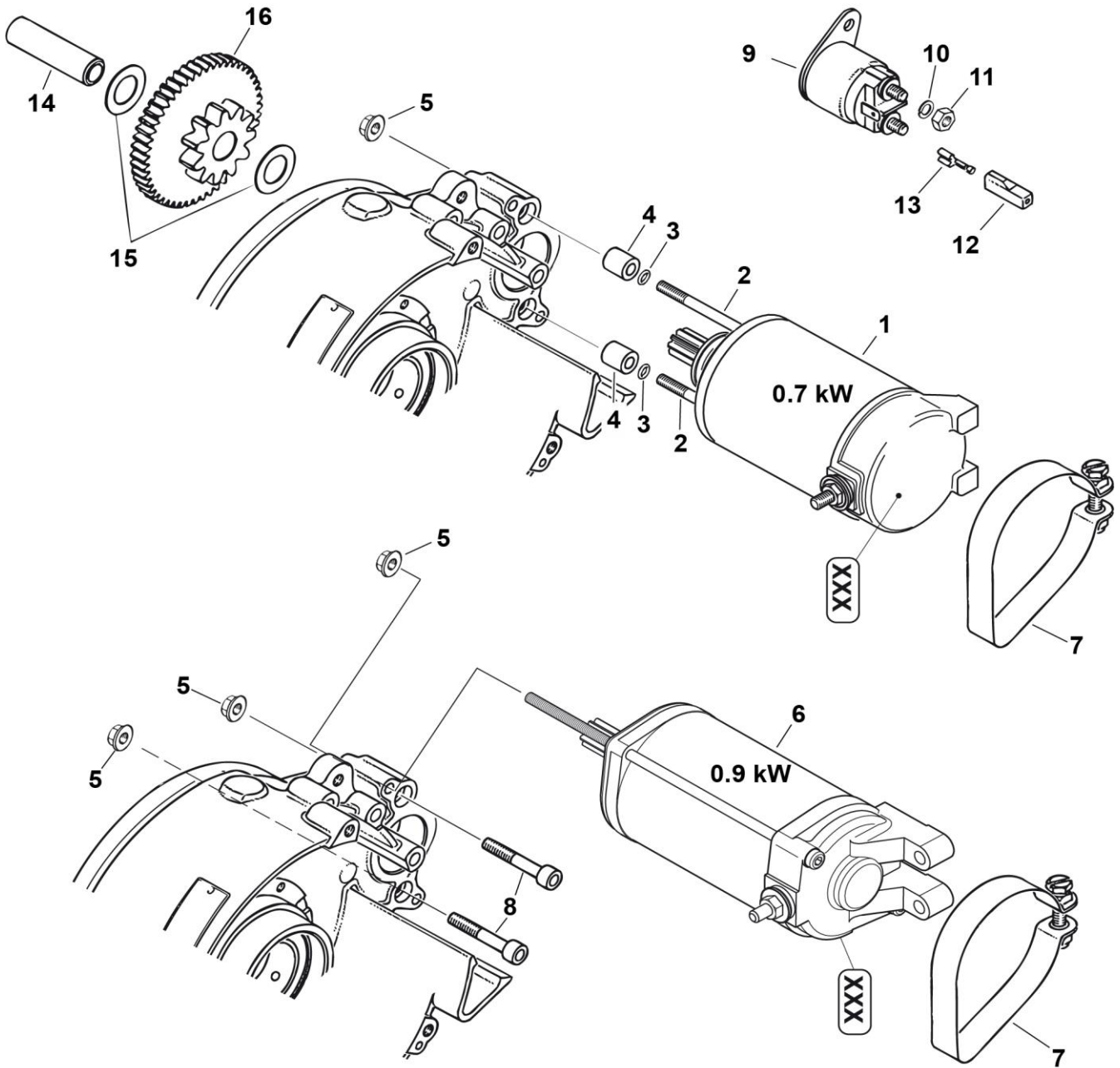
ITEM#	STATUS	PART#	DESCRIPTION	912 A	912 F	912 S	912 UL	912 ULS	914 F	914 UL
04		956585	SCREW CONNECTION SET BENT Ill. no. 4. 6. 7 SI-PAC-013 optional	1	1	1	1	1	1	1
04		230387	GASKET RING 14.2/18/2 SI-PAC-013 optional	2	2	2	2	2	2	2
05		840461	NIPPLE 13.2/9.5-M14X1.5 SI-PAC-013 optional	2	2	2	2	2	2	2
06		956577	ADAPTER M18x1.5/M14x1.5 SI-PAC-013 optional	2	2	2	2	2	2	2
07		956580	BENT SOCKET ASSY. SI-PAC-013 as required	1	1	1	1	1	1	1
08		924585	ANGULAR TUBE M14X1.5 SI-PAC-013 as required	1	1	1	1	1	1	1
09		956610	HOSE NIPPLE WITH UNION NUT SI-PAC-013 as required	1	1	1	1	1	1	1
10		956643	ADAPTER 3/4-16 UNF/ M14 X 1.5 SI-PAC-013 optional	2	2	2	2	2	2	2
11		250735	GASKET RING A 14X20 SI-PAC-013 optional	2	2	2	2	2	2	2
12		956685	ADAPTER M22X1.5 / M22X1.5 SI-PAC-013 optional	2	2	2	2	2	2	2
13		956681	ADAPTER 7/8-14 UNF / M22X1.5 SI-PAC-013 optional	2	2	2	2	2	2	2
13		956680	ADAPTER 7/8-14 UNF / M22X1.5 SI-PAC-013 optional not available	1	1	1	1	1	1	1
14		956648	ADAPTER 7/8-14 UNF/ M14 X 1.5 SI-PAC-013 optional	2	2	2	2	2	2	2

Chapter: 79-20-00
OIL RADIATOR

ITEM#	STATUS	PART#	DESCRIPTION	912 A	912 F	912 S	912 UL	912 ULS	914 F	914 UL
15		956572	ADAPTER M22X1.5/ M14X1.5 SI-PAC-013 optional	2	2	2	2	2	2	2

This page intentionally left blank

Chapter: 80-10-00
ELECTRIC STARTER, STARTER RELAY



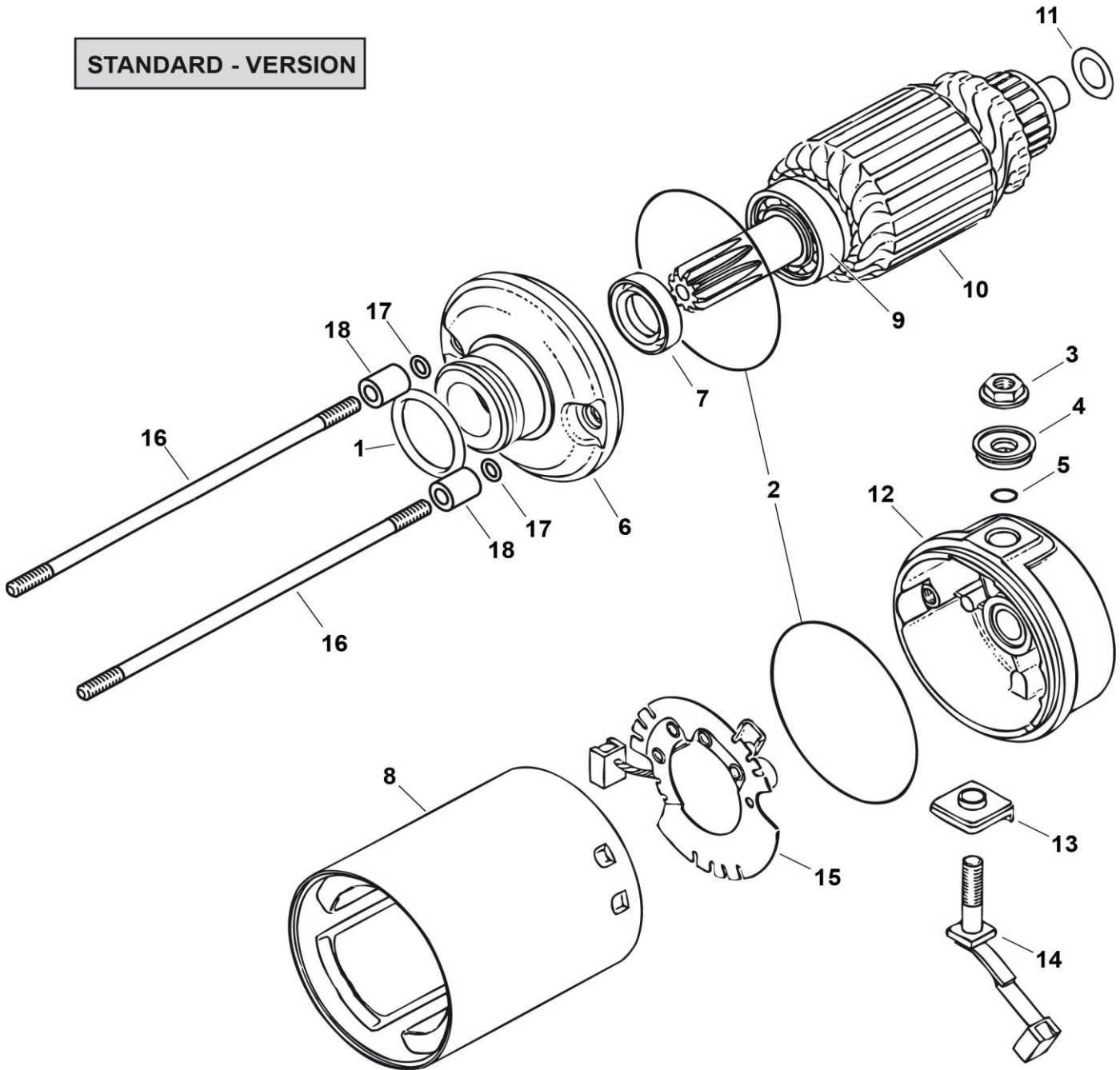
AE_IPC_2_4_0041

Chapter: 80-10-00
ELECTRIC STARTER, STARTER RELAY

ITEM#	STATUS	PART#	DESCRIPTION	912 A	912 F	912 S	912 UL	912 ULS	914 F	914 UL
01		685974	ELECTRIC STARTER SET Ill. no. 1-5 standard starter 0.7 kW	1	1	1	1	1	1	1
02		840636	STUD M5X150/16	2	2	2	2	2	2	2
03		950420	O-RING - 5X1.5	2	2	2	2	2	2	2
04		847248	SPACER 5.4/10/12	2	2	2	2	2	2	2
05		942311	HEX. NUT M5	4	4	4	4	4	4	4
06		889751	ELECTRIC STARTER SET Ill. no. 5. 6. 7. 8 SB-912-037 current issue SB-914-023	1	1	1	1	1	1	1
07		851020	CLAMP 76 will be delivered in circle shape	1	1	1	1	1	1	1
08		941792	ALLEN SCREW - M5x45	2	2	2	2	2	2	2
09		992818	STARTER RELAY ASSY. Ill. no. 9-11	1	1	1	1	1	1	1
10		945831	LOCK WASHER - A6	2	2	2	2	2	2	2
11		242214	HEX.NUT M6	2	2	2	2	2	2	2
12		960719	CONNECTOR SHEATH not with Form 1	1	1	1	1	1	1	1
13		864011	FASTON CONNECTOR 6.3X0.8	1	1	1	1	1	1	1
14		837102	IDLE GEAR SHAFT	1	1	1	1	1	1	1
15		827261	THRUST WASHER 12.5/21.5/1	2	2	2	2	2	2	2
16		834157	IDLE GEAR 50/11 T.	1	1	1	1	1	1	1

Chapter: 80-10-00
ELECTRIC STARTER, STARTER RELAY

STANDARD - VERSION

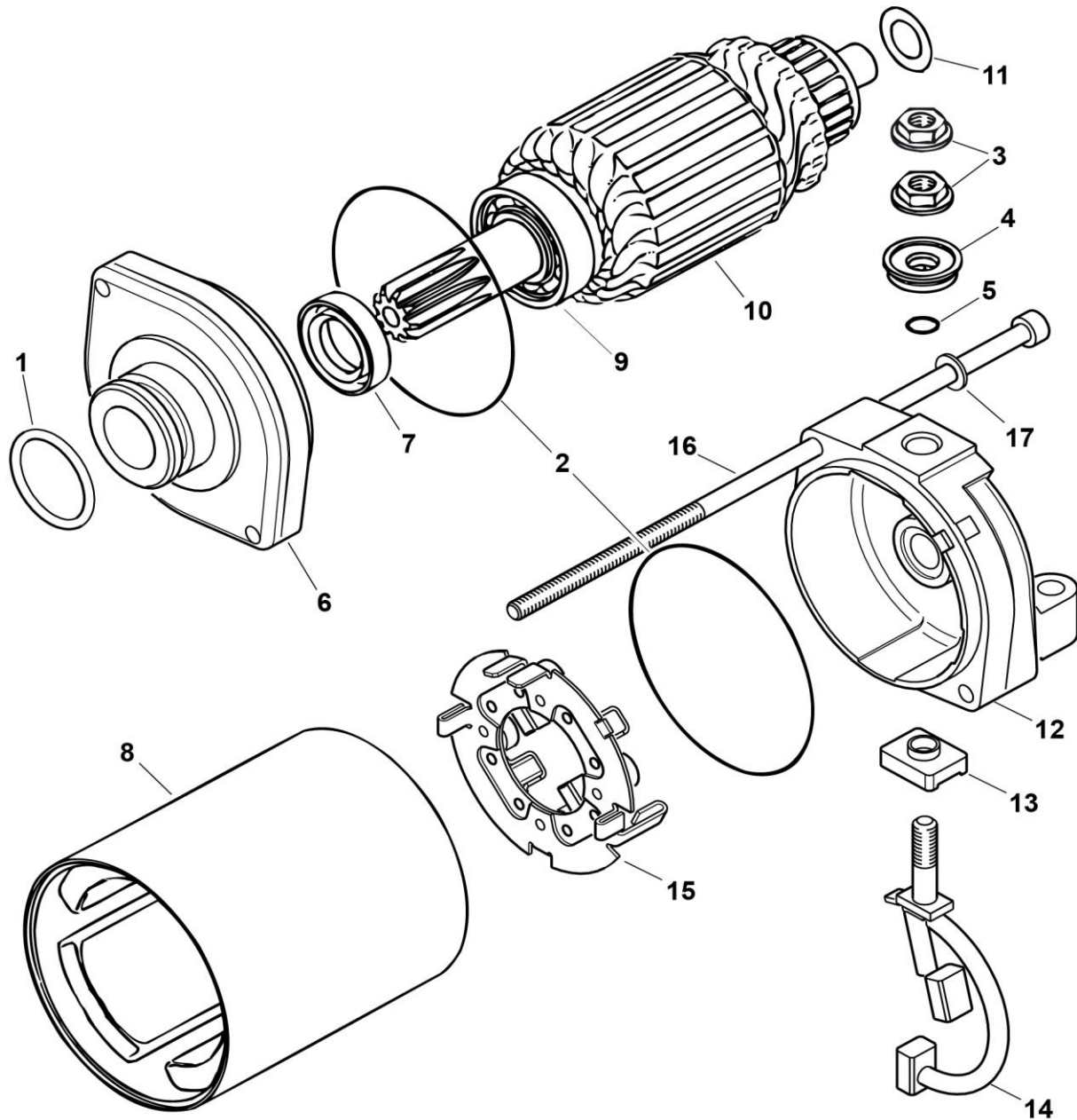


AE_IPC_2_4_0042

Chapter: 80-10-00
ELECTRIC STARTER, STARTER RELAY

ITEM#	STATUS	PART#	DESCRIPTION	912 A	912 F	912 S	912 UL	912 ULS	914 F	914 UL
01		250140	O-RING - 24.4X3.1	1	1	1	1	1	1	1
01		685974	ELECTRIC STARTER SET Ill. no. 1-19	1	1	1	1	1	1	1
02		850500	O-RING - 62X1.5	2	2	2	2	2	2	2
03		242780	COMBINED NUT M6	1	1	1	1	1	1	1
04		260800	CONNECTOR SHEATH	1	1	1	1	1	1	1
05		XXX	O-RING 6x1.7 not available	1	1	1	1	1	1	1
06		XXX	SUPPORT not available	1	1	1	1	1	1	1
07		250130	OIL SEAL 15X24X5 NBR	1	1	1	1	1	1	1
08		XXX	STATOR YOKE ASSY. not available	1	1	1	1	1	1	1
09		232260	BALL BEARING 6002 Z / 15-32-9	1	1	1	1	1	1	1
10		XXX	ROTOR ASSY. not available	1	1	1	1	1	1	1
11		827600	SHIM as required	1	1	1	1	1	1	1
12		XXX	ROTOR SUPPORT ASSY. not available	1	1	1	1	1	1	1
13		260810	CONNECTOR SHEATH	1	1	1	1	1	1	1
14		264180	CARBON BRUSH ASSY.	1	1	1	1	1	1	1
15		866890	BRUSH HOLDER WITH SPRINGS	1	1	1	1	1	1	1
16		840636	STUD M5X150/16	2	2	2	2	2	2	2
17		950420	O-RING - 5X1.5	2	2	2	2	2	2	2
18		847248	SPACER 5.4/10/12	2	2	2	2	2	2	2

Chapter: 80-10-00
E-STARTER SINGLE PARTS



AE_IPC_2_4_0043

Chapter: 80-10-00
E-STARTER SINGLE PARTS

ITEM#	STATUS	PART#	DESCRIPTION	912 A	912 F	912 S	912 UL	912 ULS	914 F	914 UL
01		250140	O-RING - 24.4X3.1	1	1	1	1	1	1	1
01		889751	ELECTRIC STARTER SET Ill. no. 1-17	1	1	1	1	1	1	1
02		850500	O-RING - 62X1.5	2	2	2	2	2	2	2
03		242780	COMBINED NUT M6	2	2	2	2	2	2	2
04		260800	CONNECTOR SHEATH	1	1	1	1	1	1	1
05		230530	O-RING - 6X1.7	1	1	1	1	1	1	1
06		XXX	SUPPORT not available	1	1	1	1	1	1	1
07		250130	OIL SEAL 15X24X5 NBR	1	1	1	1	1	1	1
08		XXX	STATOR YOKE ASSY. not available	1	1	1	1	1	1	1
09		232260	BALL BEARING 6002 Z / 15-32-9	1	1	1	1	1	1	1
10		XXX	ROTOR ASSY. not available	1	1	1	1	1	1	1
11		827600	SHIM as required	1	1	1	1	1	1	1
12		XXX	ROTOR SUPPORT ASSY. Not available as single part. Use electric starter kit part no. 294354. not available	1	1	1	1	1	1	1
12		294354	ELECTRIC STARTER REPAIR KIT Ill. no. 12-15. 1-5	1	1	1	1	1	1	1
13		XXX	CONNECTOR SHEATH Not available as single part. Use electric starter kit part no. 294354. not available	1	1	1	1	1	1	1
14		XXX	CARBON BRUSH ASSY. Not available as single part. Use electric starter kit part no. 294354. not available	1	1	1	1	1	1	1
15		XXX	BRUSH HOLDER WITH SPRINGS Not available as single part. Use electric starter kit part no. 294354. not available	1	1	1	1	1	1	1
16		440587	ALLEN SCREW - M5X180	2	2	2	2	2	2	2
17		927574	WASHER 5.3	2	2	2	2	2	2	2

ROTAX®

Engine serial no.

Type of aircraft

Aircraft registration no.

Rotax® authorized distributor

FLYROTAX.COM

® and TM are trademarks of BRP-Rotax GmbH & Co KG.

© 2024 BRP-Rotax GmbH & Co KG. All rights reserved.

